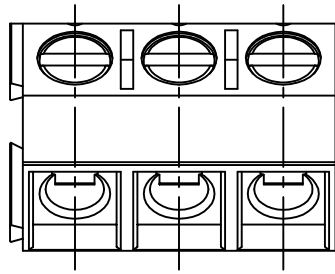
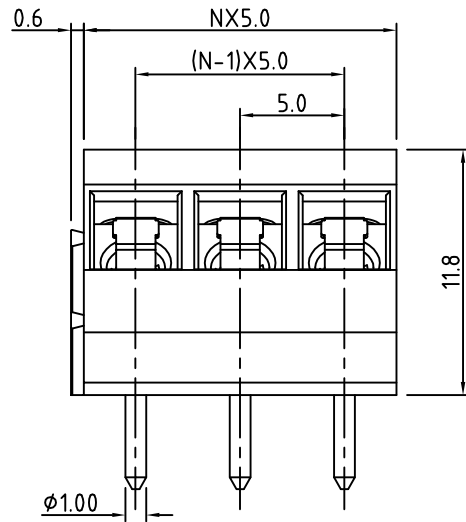


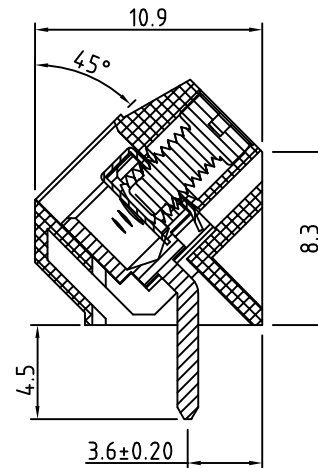
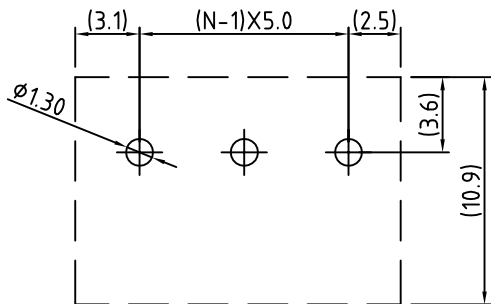
SIGN	DATE	DESCRIPTION	APPROVER
		<i>THIS IS CAD DRAWING, DO NOT REVISE MANUALLY!!!</i>	



N=Number of poles



P.C.B LAYOUT



**Material**

- Terminal body
- (metal housing): Brass(CuZn)
- Terminal screw: Steel Zinc plating "-" slot type
- Wire guard: Stainless steel
- Surface of solder tail: Tin plated
- Insulator (housing): Thermoplastic (UL94V-0)

**Electrical**

- Voltage rating: 300VAC
- Current rating: 15A
- Wire range:
  - Solid wire(AWG): 14-22
  - Stranded wire(AWG): 14-22
- Torque(Lb-In): 3.5
- Screw: M2.6
- Wire strip length: 6-7mm
- Withstanding Voltage: 1.6KV
- Operating temperature: -45°C to +130°C
- Soldering temperature: 260°C/10 Sec

RoHS Compliant

PART NUMBER:

OSTVYXX010C

No. of Poles	COLOR
02 2 Poles	0: Black (Standard)
03 3 Poles	5: Green
... ..	6: Blue
24 24 Poles	8: Grey



THESE DRAWINGS AND SPECIFICATIONS ARE THE PROPERTY OF ON-SHORE TECHNOLOGY, INC. AND SHALL NOT BE REPRODUCED, COPIED OR USED IN ANY MANNER WITHOUT THE PRIOR WRITTEN CONSENT OF ON-SHORE TECHNOLOGY, INC.

TITLE		OSTVY-5.0mm Series (HI-Temp)	
PART NO.	OSTVYXX010C	DWG NO.	OSTVYXX010C.DWG
APPROVED	CHECKED	DESIGNED	DRAWN
Shi Jun	Shi Jun	Marvin	Marvin
2006.10.20	2006.10.20	2006.10.20	2006.10.20
SHEET: 01/01		REV: C	
UNIT: mm		Tolerance	
SCALE: NONE		X. ±0.50	
		X.X ±0.30	
		X.XX ±0.10	
		X° ±1°	