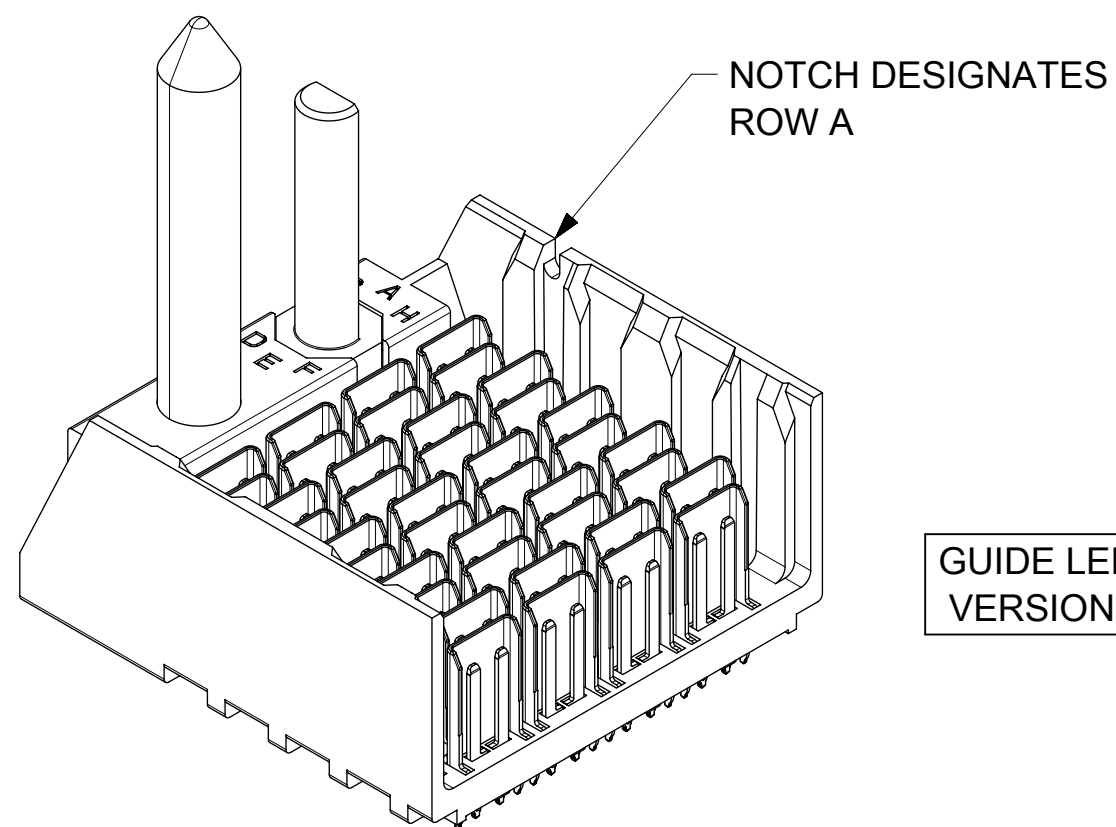
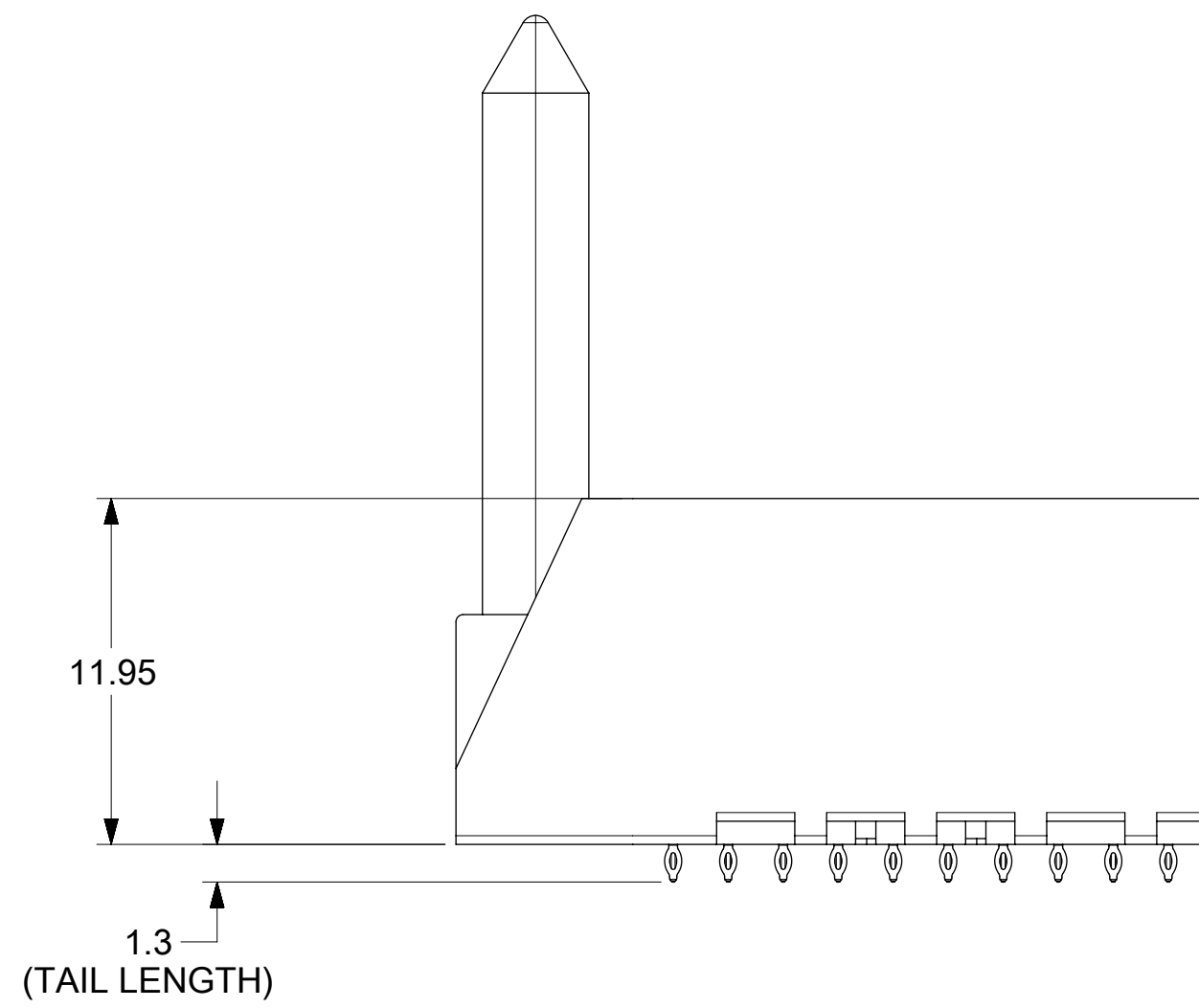
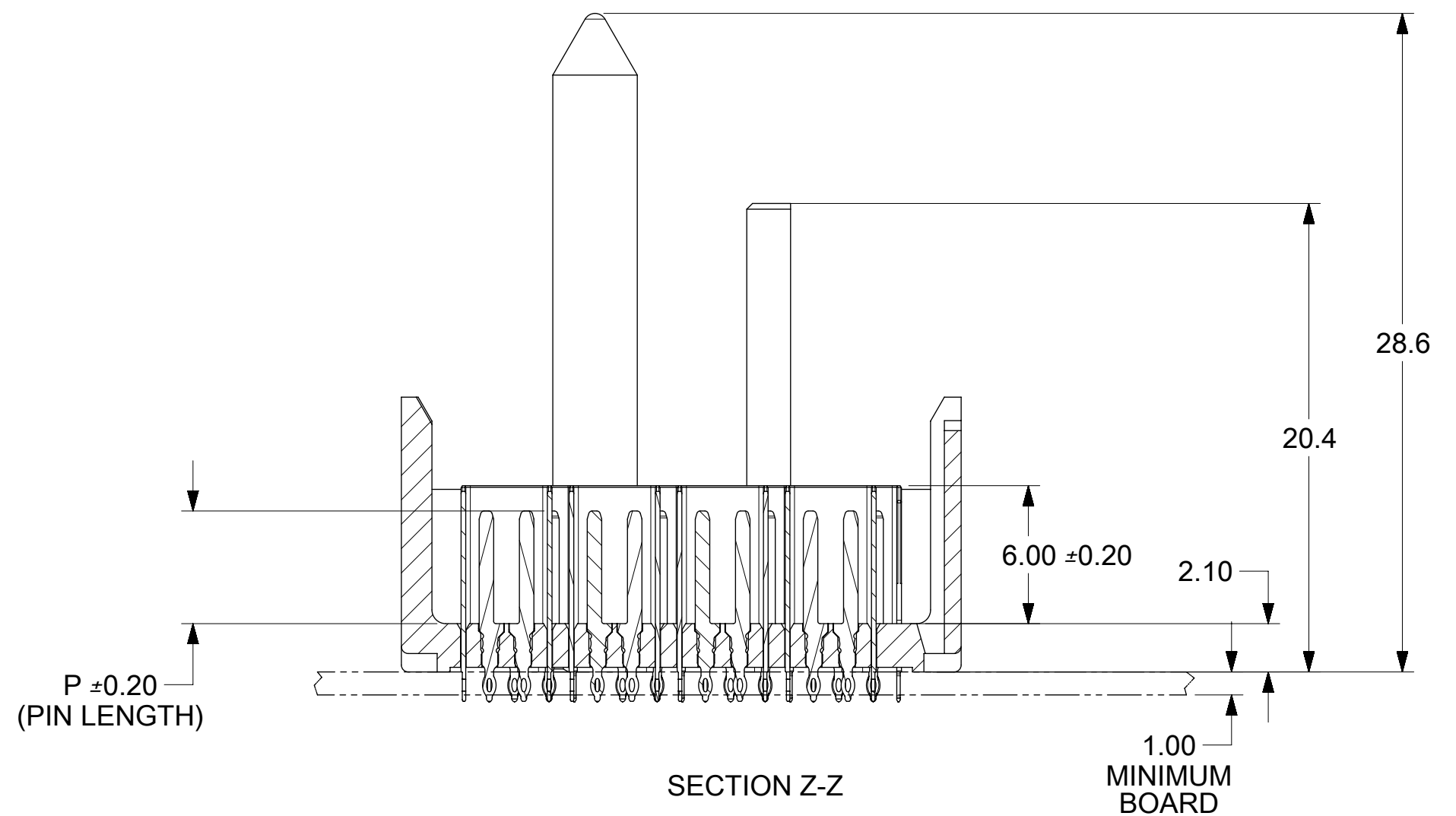


NOTES:

1. MATERIALS: HOUSING - LIQUID CRYSTAL POLYMER (LCP)
GLASS-FILLED, UL94V-0
TERMINALS - HIGH PERFORMANCE COPPER ALLOY
2. FINISH: 30uIN GOLD IN CONTACT AREA.
SELECTIVE TIN ON PCB TAILS.
NICKEL OVERALL.
3. REFER TO MOLEX PRODUCT SPECIFICATION PS-171320-999 FOR PERFORMANCE SPECIFICATIONS.
4. THIS PART CONFORMS TO CLASS B REQUIREMENTS OF MOLEX COSMETIC SPEC PS-45499-002.
5. PRODUCT WILL BE PACKAGED PER PK-78888-084.
6. SEE SHEETS 2, 3, 4, AND 5 FOR HOLE PATTERN AND MATED PART DIMENSIONS.
7. MATES WITH IMPEL DC SERIES NUMBER 171320.
8. REFER TO IMPEL PCB ROUTING GUIDE AS-171320-990 FOR ANTIPAD, ROUTING RECOMMENDATIONS, AND ADDITIONAL PCB INFORMATION.
9. WHEN STACKING MODULES END TO END, THE MINIMUM COLUMN TO COLUMN SPACING IS 2.65mm.
10. THE KEEP-OUT ZONE FOR THE BP HOUSING LENGTH INCLUDES THE NECESSARY SPACE REQUIRED FOR THE MATING DAUGHTERCARD HOUSING.
11. PART IS SUPPLIED WITH ONE 2-56 UNC-2A SCREW.

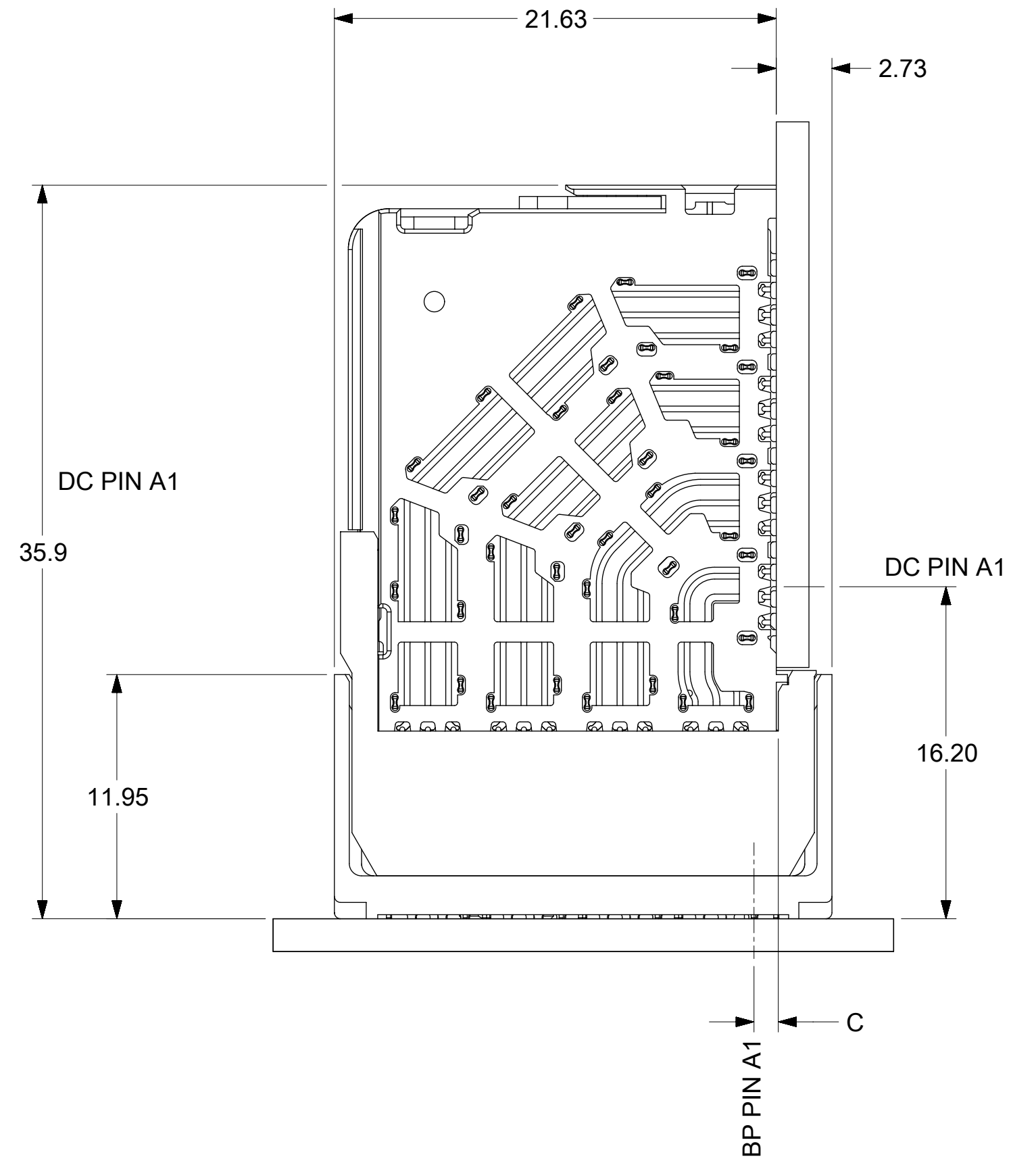


GUIDE LEFT VERSION



THIS DRAWING CONTAINS INFORMATION THAT IS PROPRIETARY TO MOLEX ELECTRONIC TECHNOLOGIES, LLC AND SHOULD NOT BE USED WITHOUT WRITTEN PERMISSION											
MIGRATED TO NX EC NO: 172623 DRWN: TMARRI CHKD: DWLEED1 REV: APPR: DWLEED1	2017/11/07		2018/06/07		2018/06/07		GENERAL TOLERANCES (UNLESS SPECIFIED)		DIMENSION UNITS		SCALE
	4 PLACES ±		3 PLACES ±		2 PLACES ± 0.13		1 PLACE ± 0.25		MM		4:1
	0 PLACES ±		DRAFT WHERE APPLICABLE MUST REMAIN WITHIN DIMENSIONS		C		THIRD ANGLE PROJECTION		DRAWN BY		DATE
	A2		A		C		C		BJANOWIAK		2012/11/29
APPR BY		DATE		SERIES		MATERIAL NUMBER		CUSTOMER		PRODUCT CUSTOMER DRAWING	
JLAURX		2013/12/09		171315		SEE CHART		GENERAL MARKET			
DOCUMENT NUMBER		DOC TYPE		DOC PART		SHEET NUMBER		SD-171315-0002		PSD 001 1 OF 5	

MATERIAL NUMBER	NUMBER OF COLUMNS	NUMBER OF DIFF PAIR	DIM "A"	DIM "B"	DIM "C"	DIM "P"	PTH ϕ
171315-33*4	6	24	18.10	9.50	1.10	4.90	0.46±0.05
171315-33*5	6	24	18.10	9.50	1.10	5.50	0.46±0.05
171315-33*7	6	24	18.10	9.50	1.20	4.90	0.36±0.05
171315-33*8	6	24	18.10	9.50	1.20	5.50	0.36±0.05
171315-38*4	8	32	21.90	13.30	1.10	4.90	0.46±0.05
171315-38*5	8	32	21.90	13.30	1.10	5.50	0.46±0.05
171315-38*7	8	32	21.90	13.30	1.20	4.90	0.36±0.05
171315-38*8	8	32	21.90	13.30	1.20	5.50	0.36±0.05
171315-31*4	10	40	25.70	17.10	1.10	4.90	0.46±0.05
171315-31*5	10	40	25.70	17.10	1.10	5.50	0.46±0.05
171315-31*7	10	40	25.70	17.10	1.20	4.90	0.36±0.05
171315-31*8	10	40	25.70	17.10	1.20	5.50	0.36±0.05
171315-32*4	12	48	29.50	20.90	1.10	4.90	0.46±0.05
171315-32*5	12	48	29.50	20.90	1.10	5.50	0.46±0.05
171315-32*7	12	48	29.50	20.90	1.20	4.90	0.36±0.05
171315-32*8	12	48	29.50	20.90	1.20	5.50	0.36±0.05
171315-36*4	16	64	37.10	28.50	1.10	4.90	0.46±0.05
171315-36*5	16	64	37.10	28.50	1.10	5.50	0.46±0.05
171315-36*7	16	64	37.10	28.50	1.20	4.90	0.36±0.05
171315-36*8	16	64	37.10	28.50	1.20	5.50	0.36±0.05



MATED PART DIMENSIONS

171315-****

MODULE TYPE
 3 = GUIDE LEFT
 7 = GUIDE LEFT END WALL

OF COLUMNS
 3 = 6 COL
 8 = 8 COL
 1 = 10 COL
 2 = 12 COL
 6 = 16 COL

PIN LENGTH (P)
 4 = 4.90 (0.46 PTH)
 5 = 5.50 (0.46 PTH)
 7 = 4.90 (0.36 PTH)
 8 = 5.50 (0.36 PTH)

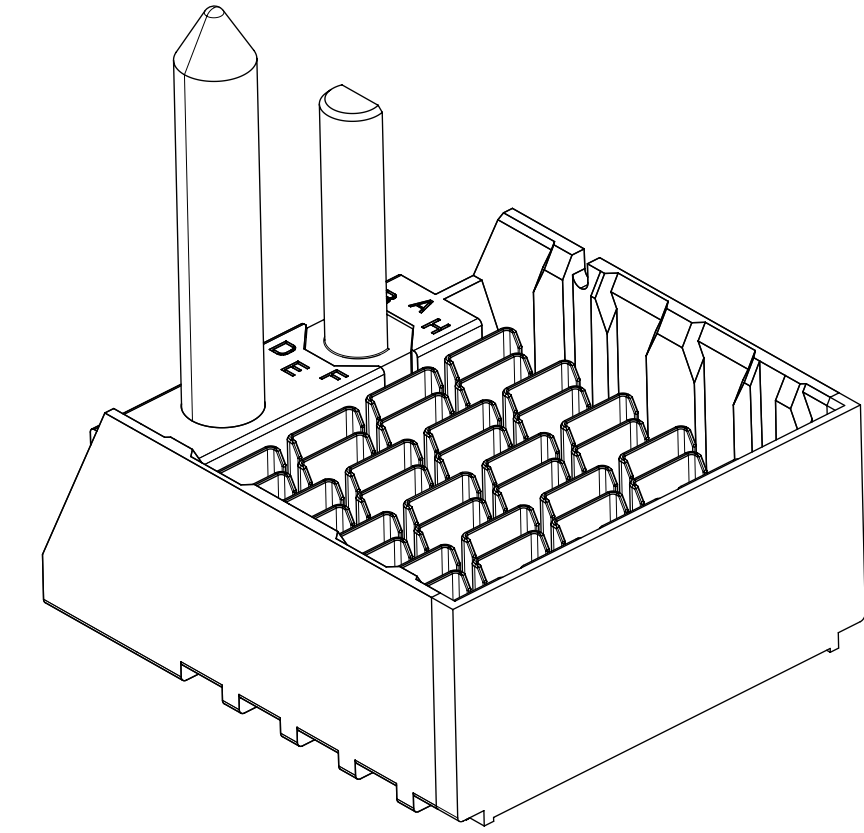
KEY ORIENTATION
 0 = NO KEY
 1 = A
 2 = B
 3 = C
 4 = D
 5 = E
 6 = F
 7 = G
 8 = H

THIS DRAWING CONTAINS INFORMATION THAT IS PROPRIETARY TO MOLEX ELECTRONIC TECHNOLOGIES, LLC AND SHOULD NOT BE USED WITHOUT WRITTEN PERMISSION

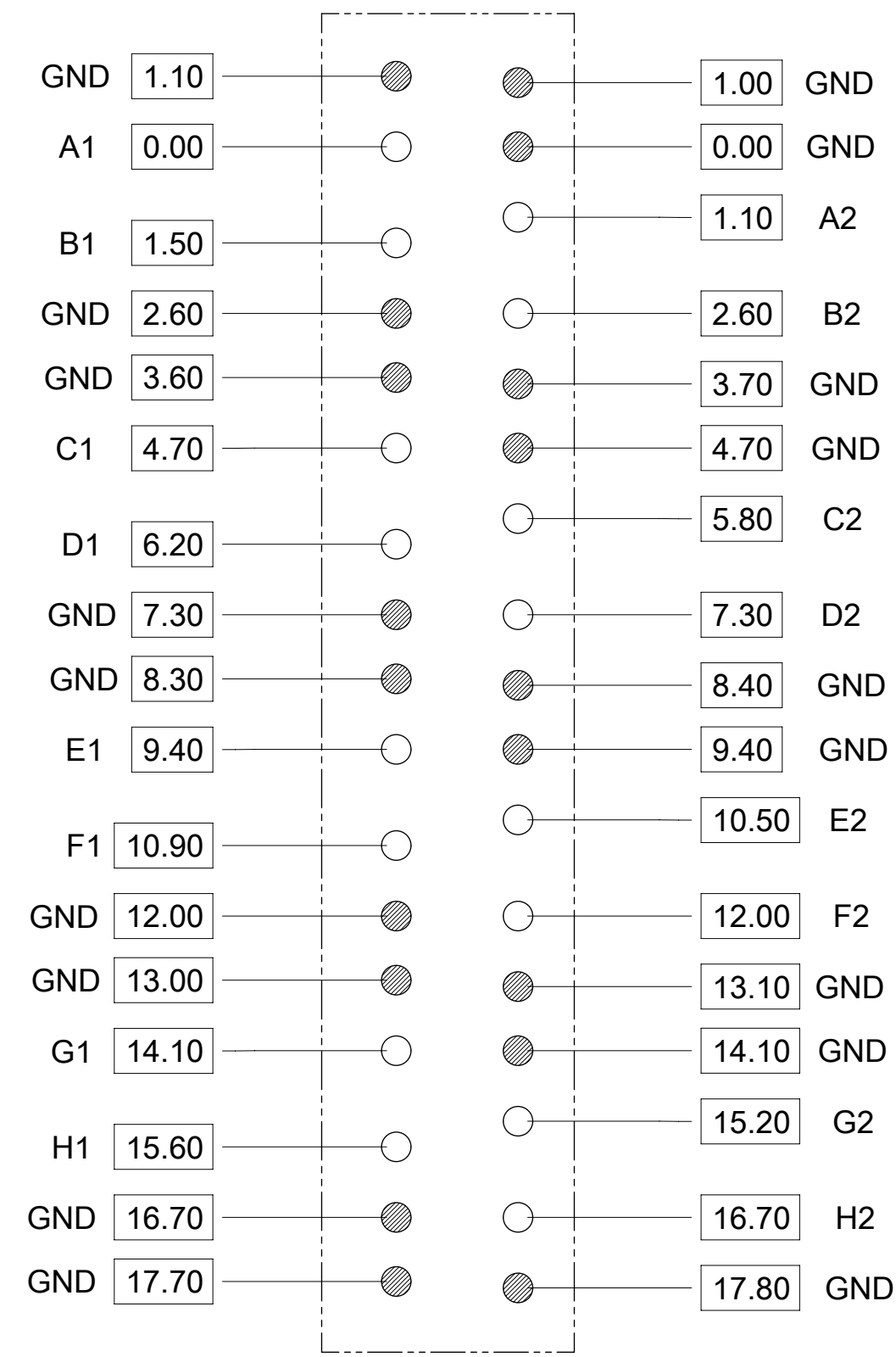
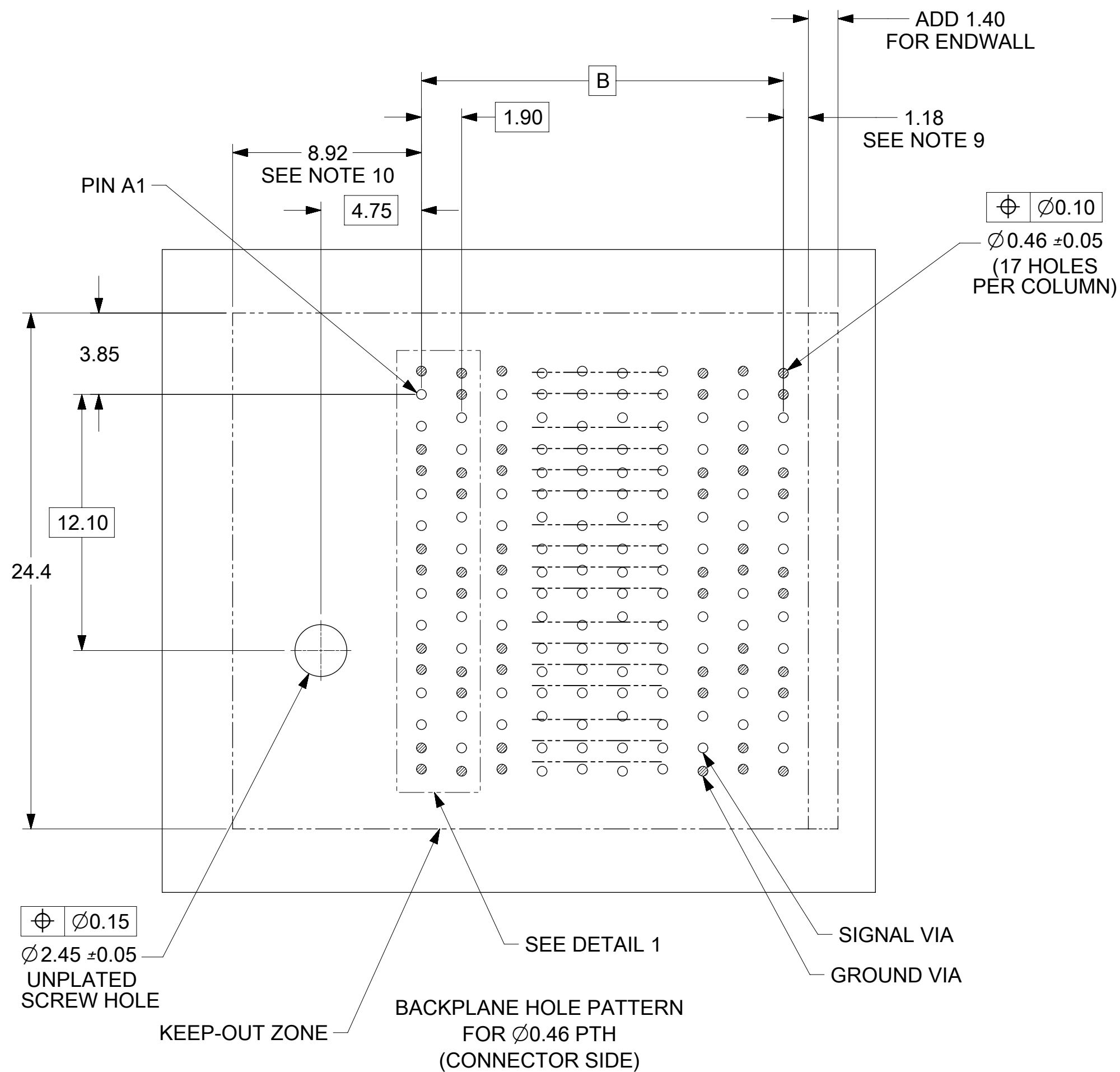
MIGRATED TO NX EC NO: 172623 DRWN: TMARRI CHKD: DWLEED1 REV / APPR: DWLEED1	2017/11/07	GENERAL TOLERANCES (UNLESS SPECIFIED)	DIMENSION UNITS	SCALE	molex IMPEL 4 PAIR BACKPLANE GUIDED LEFT ASSEMBLY SALES DRAWING	
	2018/06/07		MM	4:1		
	2018/06/07		ANGULAR TOL ± 0.5 °	DRWN BY		DATE
			4 PLACES ±	BJANOWIAK		2012/11/29
	3 PLACES ±	CHKD BY	DATE			
	2 PLACES ± 0.13	APPR BY	DATE			
	1 PLACE ± 0.25	JLAURX	2013/12/09	SERIES	MATERIAL NUMBER	
	0 PLACES ±	DRAWING SIZE	THIRD ANGLE PROJECTION	171315	SEE CHART	
	DRAFT WHERE APPLICABLE MUST REMAIN WITHIN DIMENSIONS	C		CUSTOMER	GENERAL MARKET	
				DOCUMENT NUMBER	DOC TYPE	
				SD-171315-0002	PSD	
				DOC PART	SHEET NUMBER	
				001	2 OF 5	

MATERIAL NUMBER	NUMBER OF COLUMNS	NUMBER OF DIFF PAIR	DIM "A"	DIM "B"	DIM "C"	DIM "P"	PTH ϕ
171315-73*4	6	24	19.50	9.50	1.10	4.90	0.46±0.05
171315-73*5	6	24	19.50	9.50	1.10	5.50	0.46±0.05
171315-73*7	6	24	19.50	9.50	1.20	4.90	0.36±0.05
171315-73*8	6	24	19.50	9.50	1.20	5.50	0.36±0.05
171315-78*4	8	32	23.30	13.30	1.10	4.90	0.46±0.05
171315-78*5	8	32	23.30	13.30	1.10	5.50	0.46±0.05
171315-78*7	8	32	23.30	13.30	1.20	4.90	0.36±0.05
171315-78*8	8	32	23.30	13.30	1.20	5.50	0.36±0.05
171315-71*4	10	40	27.10	17.10	1.10	4.90	0.46±0.05
171315-71*5	10	40	27.10	17.10	1.10	5.50	0.46±0.05
171315-71*7	10	40	27.10	17.10	1.20	4.90	0.36±0.05
171315-71*8	10	40	27.10	17.10	1.20	5.50	0.36±0.05
171315-72*4	12	48	30.90	20.90	1.10	4.90	0.46±0.05
171315-72*5	12	48	30.90	20.90	1.10	5.50	0.46±0.05
171315-72*7	12	48	30.90	20.90	1.20	4.90	0.36±0.05
171315-72*8	12	48	30.90	20.90	1.20	5.50	0.36±0.05
171315-76*4	16	64	38.50	28.50	1.10	4.90	0.46±0.05
171315-76*5	16	64	38.50	28.50	1.10	5.50	0.46±0.05
171315-76*7	16	64	38.50	28.50	1.20	4.90	0.36±0.05
171315-76*8	16	64	38.50	28.50	1.20	5.50	0.36±0.05

GUIDE LEFT
END WALL VERSION



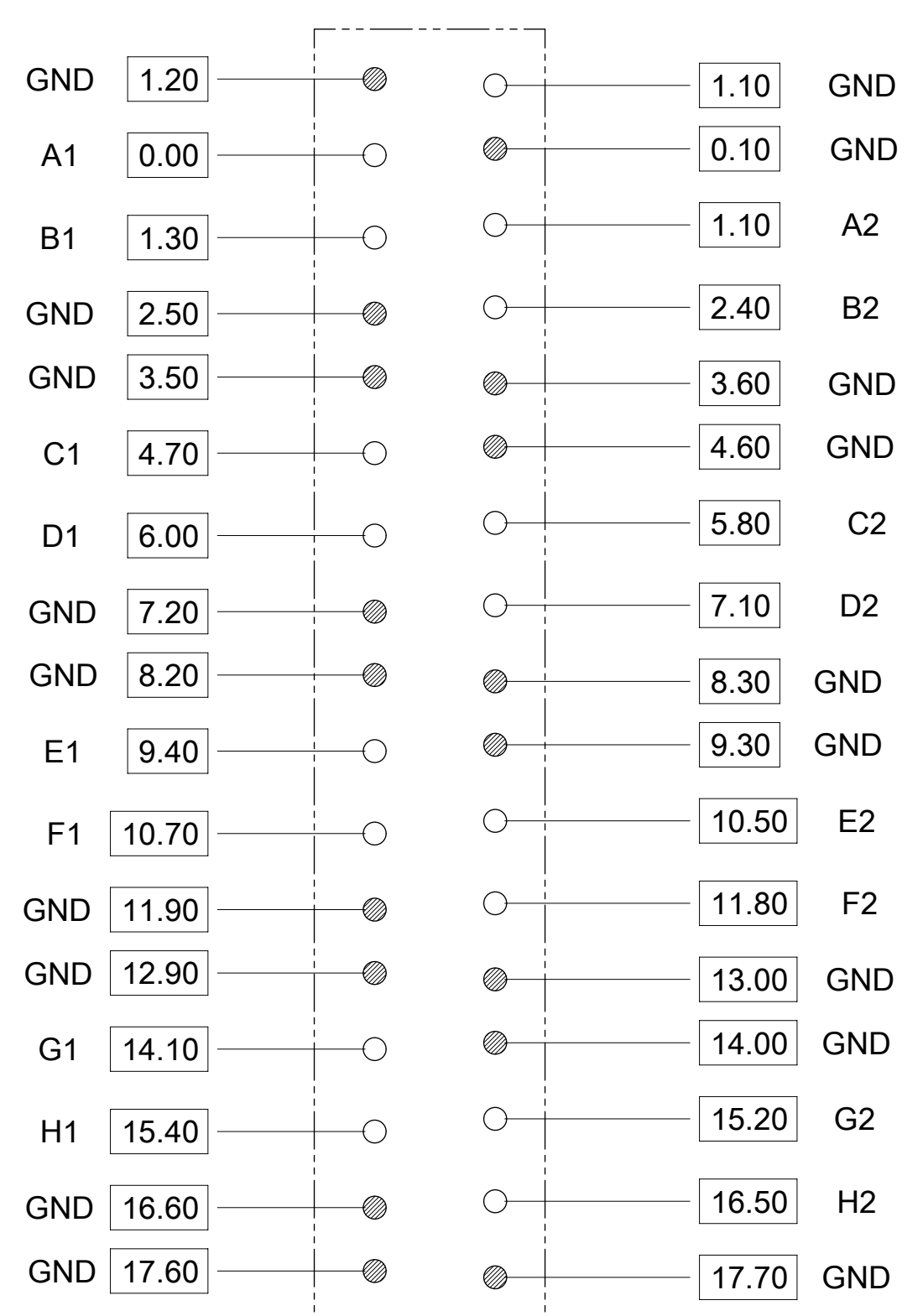
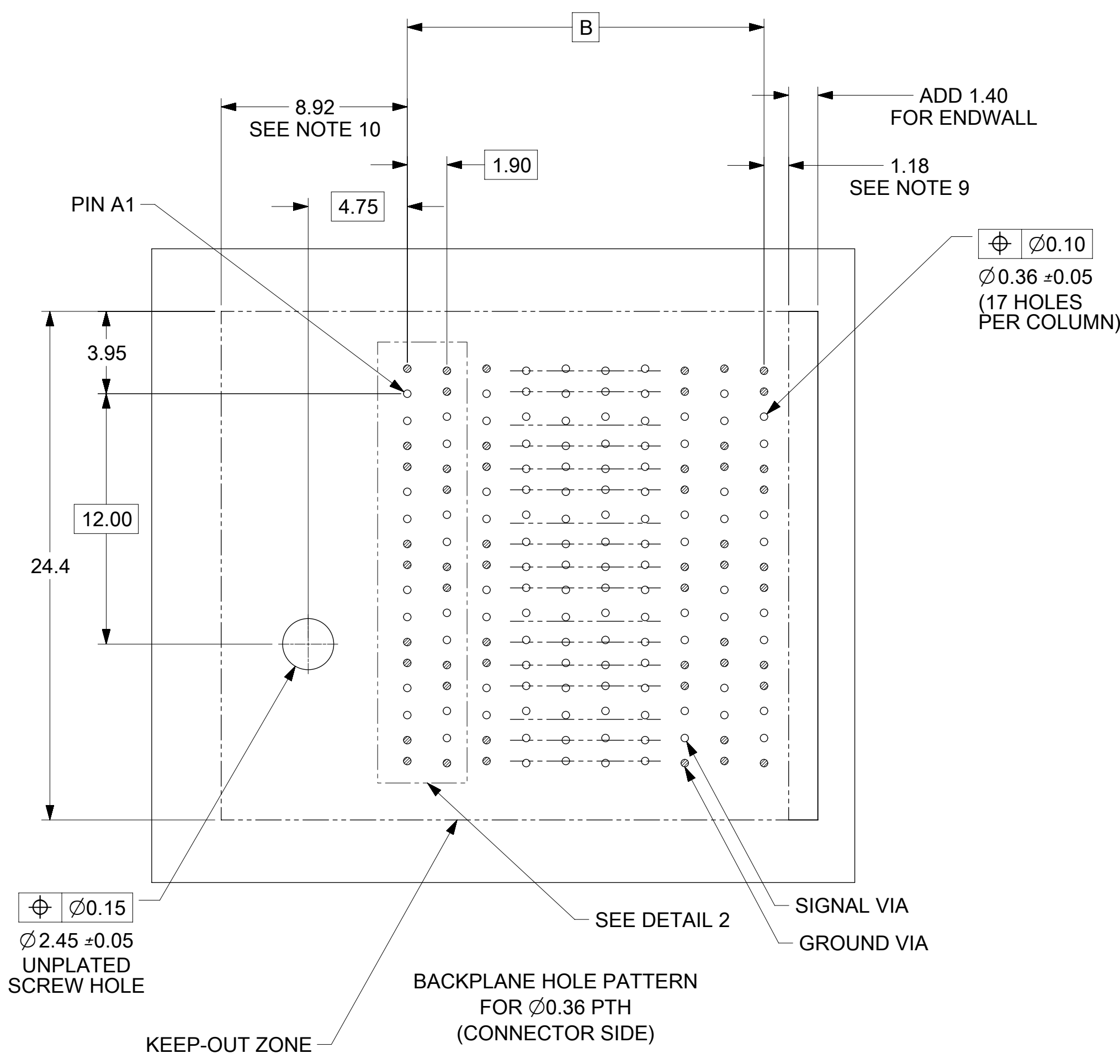
THIS DRAWING CONTAINS INFORMATION THAT IS PROPRIETARY TO MOLEX ELECTRONIC TECHNOLOGIES, LLC AND SHOULD NOT BE USED WITHOUT WRITTEN PERMISSION												
MIGRATED TO NX	EC NO: 172623	2017/11/07	GENERAL TOLERANCES (UNLESS SPECIFIED)			DIMENSION UNITS	SCALE	molex IMPEL 4 PAIR BACKPLANE GUIDED LEFT ASSEMBLY SALES DRAWING				
	DRWN: TMARRI	2018/06/07	ANGULAR TOL ± 0.5 °			MM	3:1					
	CHKD: DWLEED01	2018/06/07	4 PLACES	±	DRWN BY	DATE	PRODUCT CUSTOMER DRAWING					
	REV / APPR: DWLEED01		3 PLACES	±	BJANOWIAK	2012/11/29						
			2 PLACES	± 0.13	CHKD BY	DATE	SERIES MATERIAL NUMBER CUSTOMER 171315 SEE CHART GENERAL MARKET					
			1 PLACE	± 0.25	APPR BY	DATE						
			0 PLACES	±	JLAURX	2013/12/09	DOCUMENT NUMBER DOC TYPE DOC PART SHEET NUMBER SD-171315-0002 PSD 001 3 OF 5					
			DRAFT WHERE APPLICABLE MUST REMAIN WITHIN DIMENSIONS			DRAWING SIZE						THIRD ANGLE PROJECTION
	A2				C							



ODD COLUMN DIMENSIONS
 EVEN COLUMN DIMENSIONS
 DETAIL 1
 SCALE 10:1

THIS DRAWING CONTAINS INFORMATION THAT IS PROPRIETARY TO MOLEX ELECTRONIC TECHNOLOGIES, LLC AND SHOULD NOT BE USED WITHOUT WRITTEN PERMISSION

MIGRATED TO NX EC NO: 172623 DRWN: TMARRI CHKD: DWLEED01 REV: APPR: DWLEED01	2017/11/07	2018/06/07	2018/06/07	GENERAL TOLERANCES (UNLESS SPECIFIED) ANGULAR TOL ± 0.5 ° 4 PLACES ± 3 PLACES ± 2 PLACES ± 0.13 1 PLACE ± 0.25 0 PLACES ± DRAFT WHERE APPLICABLE MUST REMAIN WITHIN DIMENSIONS	DIMENSION UNITS MM	SCALE 5:1	
	DRWN BY BJANOWIAK	DATE 2012/11/29	CHKD BY		DATE		
	APPR BY JLAURX	DATE 2013/12/09	SERIES 171315		MATERIAL NUMBER SEE CHART	CUSTOMER GENERAL MARKET	
	DRAWING SIZE C	THIRD ANGLE PROJECTION	DOCUMENT NUMBER SD-171315-0002		DOC TYPE PSD	DOC PART 001	



DETAIL 2
SCALE 10:1

THIS DRAWING CONTAINS INFORMATION THAT IS PROPRIETARY TO MOLEX ELECTRONIC TECHNOLOGIES, LLC AND SHOULD NOT BE USED WITHOUT WRITTEN PERMISSION

MIGRATED TO NX EC NO: 172623 DRWN: TMARRI CHKD: DWLEED1 REV / APPR: DWLEED1	2017/11/07	2018/06/07	2018/06/07	GENERAL TOLERANCES (UNLESS SPECIFIED) ANGULAR TOL $\pm 0.5^\circ$ 4 PLACES \pm 3 PLACES \pm 2 PLACES ± 0.13 1 PLACE ± 0.25 0 PLACES \pm DRAFT WHERE APPLICABLE MUST REMAIN WITHIN DIMENSIONS	DIMENSION UNITS MM	SCALE 5:1	
	DRWN BY BJANOWIAK	DATE 2012/11/29	CHKD BY		DATE		
	APPR BY JLAURX	DATE 2013/12/09	SERIES 171315		MATERIAL NUMBER SEE CHART	CUSTOMER GENERAL MARKET	
	DRAWING SIZE C	THIRD ANGLE PROJECTION	DOCUMENT NUMBER SD-171315-0002		DOC TYPE PSD	DOC PART 001	

PRODUCT CUSTOMER DRAWING

IMPEL 4 PAIR BACKPLANE GUIDED LEFT ASSEMBLY SALES DRAWING