

PRODUCT DESCRIPTION CODE :

10146059-1XXK LF

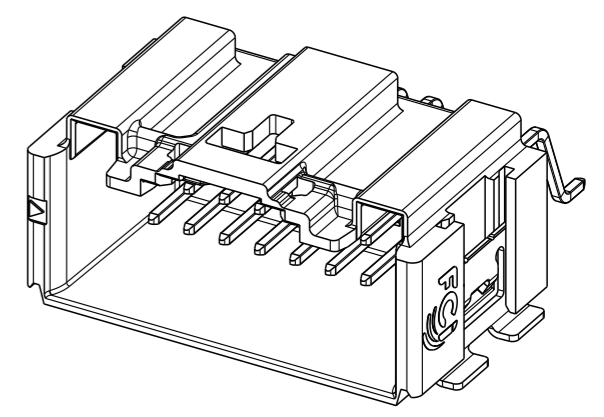
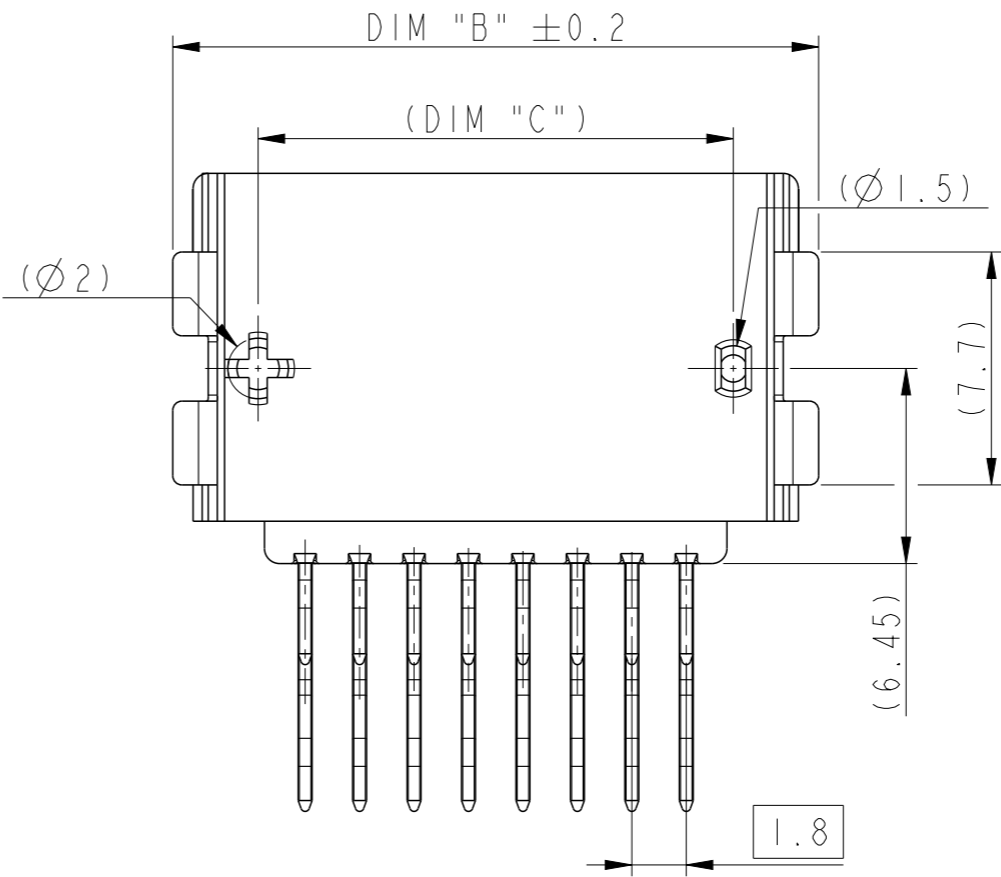
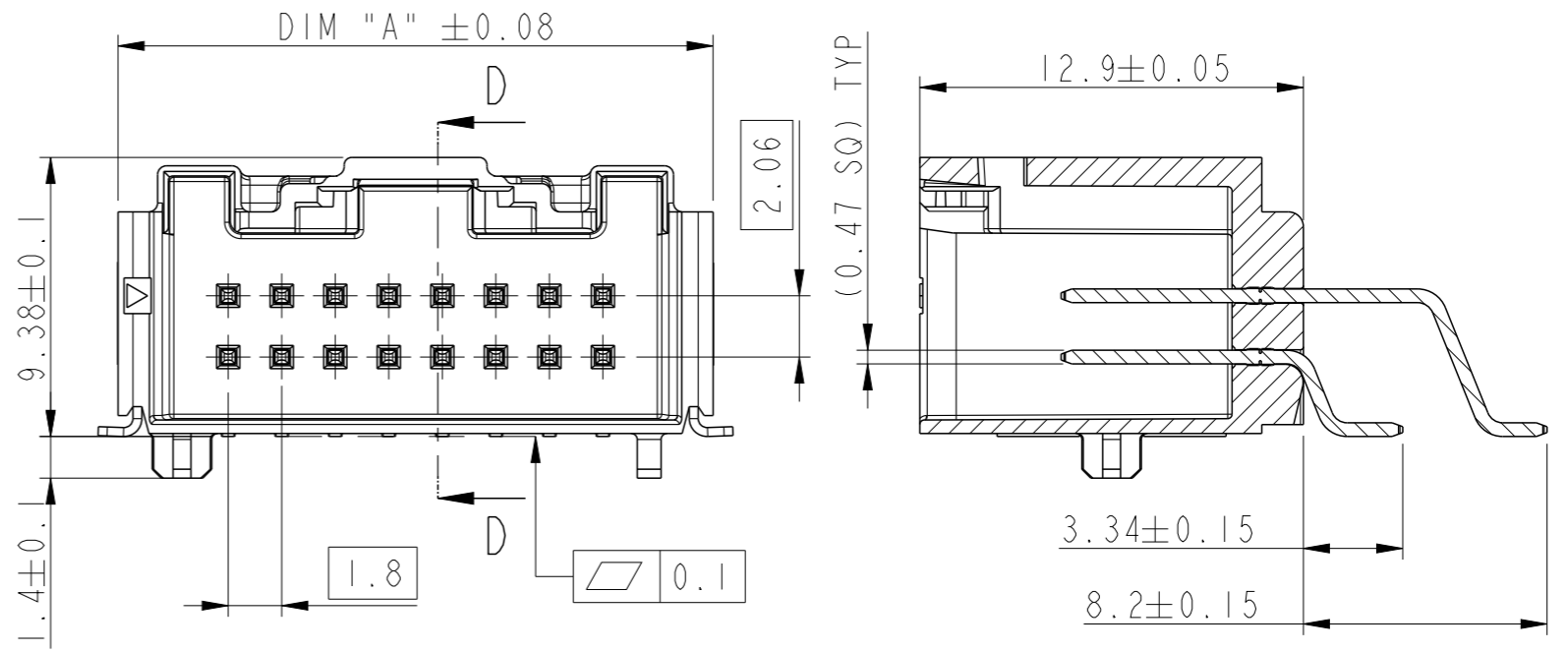
RoHS COMPATIBLE, SEE NOTE 3

FOR CUSTOMER CODE :
BLANK = GENERAL USE

PACKAGING :
K = TAPE & REEL

NUMBER OF POSITIONS : 10 TO 30

PLATING :
1 = 3µm MIN MATTE TIN (PREPLATED)
2 = 3µm MIN MATTE TIN (POST-PLATED)
3 = 0.76µm MIN GOLD (CONTACT AREA)
ALL OVER 1.27µm MIN NICKEL UNDERLAYER



SCALE 3:1

NOTES:

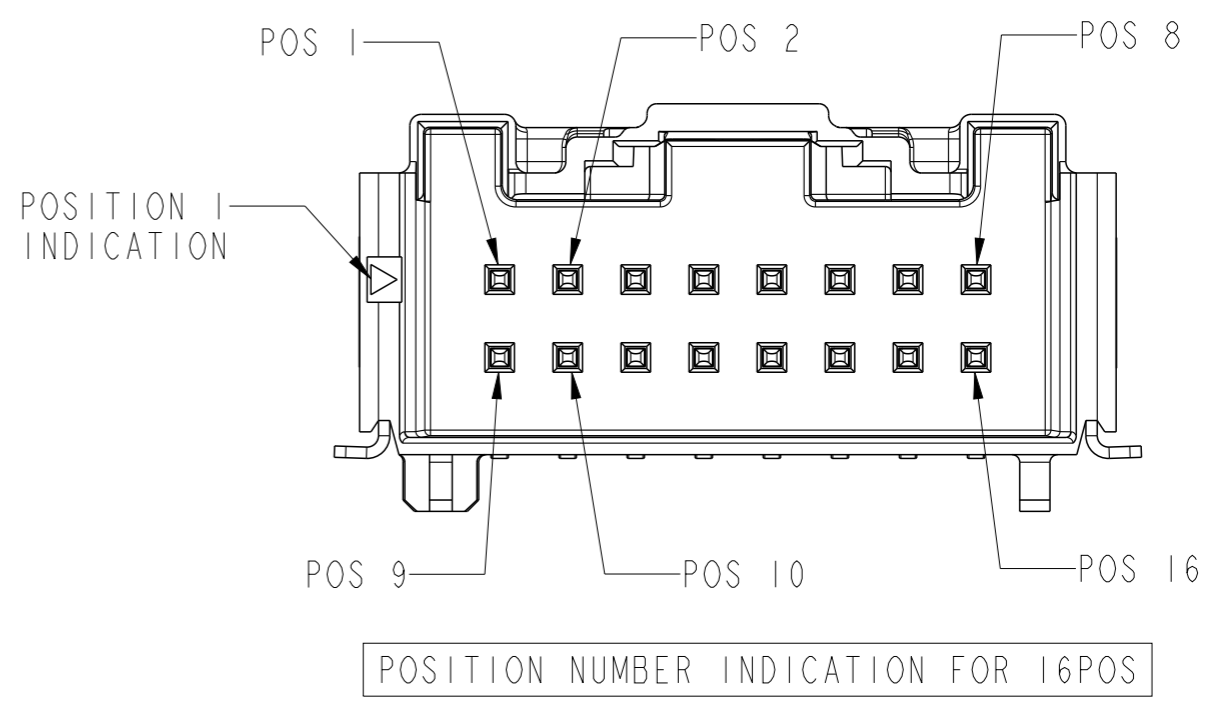
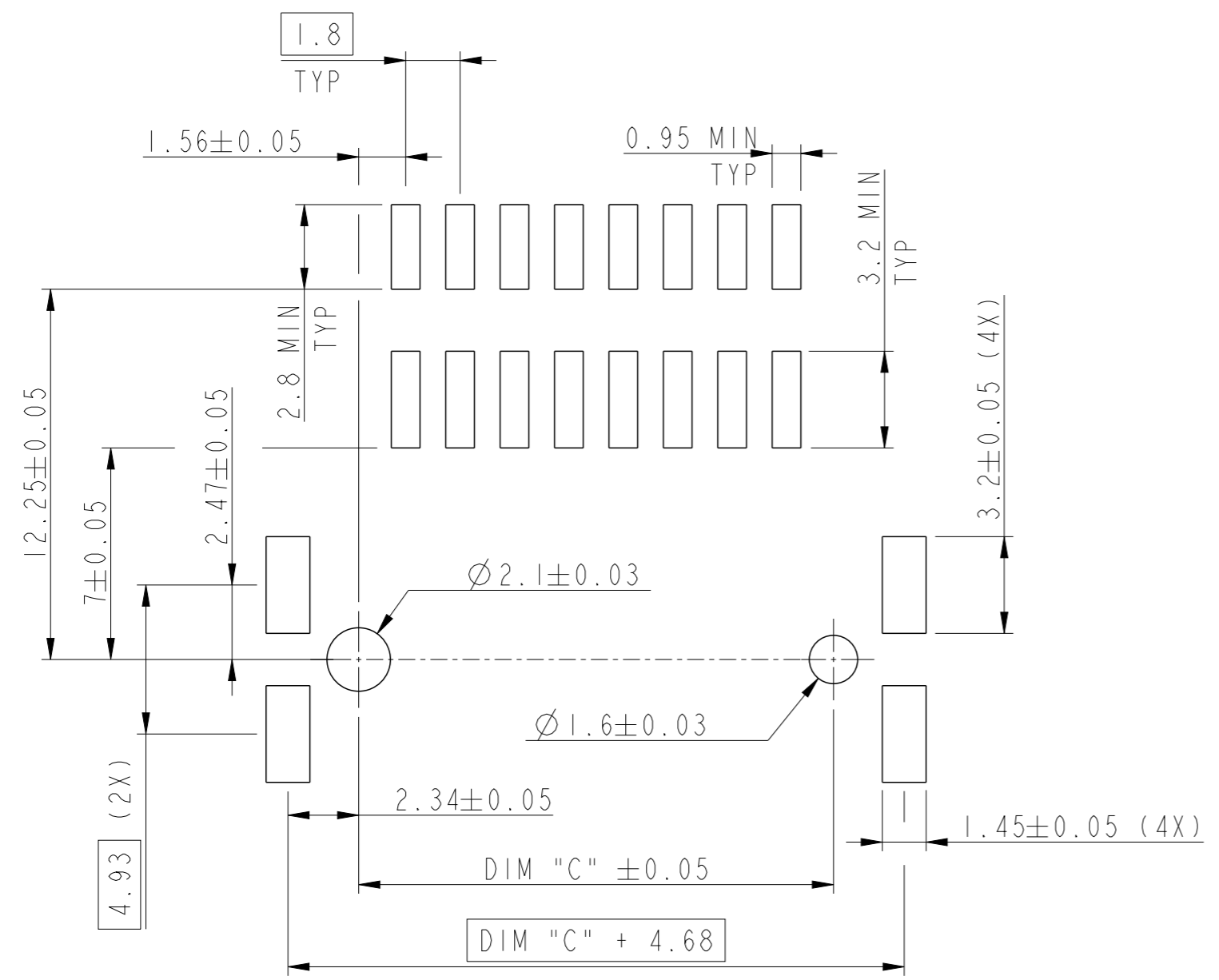
- 1 - MATERIAL:
HOUSING : HIGH TEMPERATURE THERMOPLASTIC
COLOR BLACK UL94 V-0
PIN : HIGH CURRENT COPPER ALLOY
- 2 - TO BE MATED WITH MINITEK µSPACE RECEPTACLE SERIES
10146061
- 3 - RoHS COMPATIBLE PRODUCT SPECIFICATIONS
 - a - PLATING:
"LF" MEANS THE PRODUCT IS LEAD FREE,
3µm MINIMUM MATTE TIN OVER 1.27µm MINIMUM
NICKEL UNDERPLATE.
 - b - MANUFACTURING PROCESS COMPATIBILITY:
THE HOUSING WILL WITHSTAND EXPOSURE TO 260°C PEAK
TEMPERATURE FOR 30 SECONDS MAX IN A CONVECTION,
INFRA-RED OR VAPOR PHASE OR REFLOW OVEN.
 - c - LABELLING :
MEETS PACKAGING SPECS AS PER GS-14-920
 - d - LEGAL STATEMENT :
SEE GS-47-0004.

spec ref	-	dr	Sawanth, Ambaa	2018/11/26	projection	mm	size	A3	scale	4:1
tolerance std	ISO 406 ISO 1101	eng	Cyril Jeune	2019/04/05			ecn no	-	rel level	Released
TOLERANCES UNLESS OTHERWISE SPECIFIED		chr	Hyppias, Arnau	2019/04/05			product family	-	rel level	Released
surface	linear	0.X	±0.3		TITLE HEADER ASSEMBLY MINITEK µSPACE STS DR 1.8 TOP LATCH		dwg no	10146059	rev	A
		0.XX	±0.10		cat. no.	-	Product - Customer Drw	sheet 1 of 2		
	angular	0°	±2°							

Amphenol FCI

© 2016 AFCI

PART NO	NO. OF POSN	DIM "A"	DIM "B"	DIM "C"
10146059-110KLF	10	14.61	15.95	10.31
10146059-112KLF	12	16.41	17.75	12.11
10146059-114KLF	14	18.21	19.55	13.91
10146059-116KLF	16	20.01	21.35	15.71
10146059-118KLF	18	21.81	23.15	17.51
10146059-120KLF	20	23.61	24.95	19.31
10146059-122KLF	22	25.41	26.75	21.11
10146059-124KLF	24	27.21	28.55	22.91
10146059-126KLF	26	29.01	30.35	24.71
10146059-128KLF	28	30.81	32.15	26.51
10146059-130KLF	30	32.61	33.95	28.31



RECOMMENDED PCB LAYOUT

spec ref	-	dr	Sawanth, Ambaa	2018/11/26	projection	mm	size	A3	scale	5:1
tolerance std	ISO 406 ISO 1101	eng	Cyril Jeune	2019/04/05			ecn no	-	rel level	Released
TOLERANCES UNLESS OTHERWISE SPECIFIED		chr	Hyppias, Arnau	2019/04/05						
surface	linear	appr	Beatrice Vial	2019/04/05	product family	-	-		rev	A
ISO 1302	angular			Amphenol FCI		title HEADER ASSEMBLY MINITEK μSPACE STS DR 1.8 TOP LATCH		dwg no 10146059	sheet 2 of 2	
		cat. no.	-		Product - Customer Drw				Printed: Apr 08, 2019	