

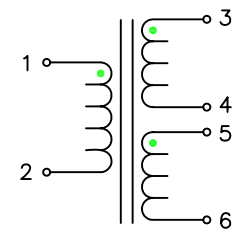
PE-64972NL

NOTICE: THE INFORMATION AND DESIGN CONTAINED HEREIN IS THE PROPERTY OF PULSE WHO RESERVES ALL RIGHTS THERETO.

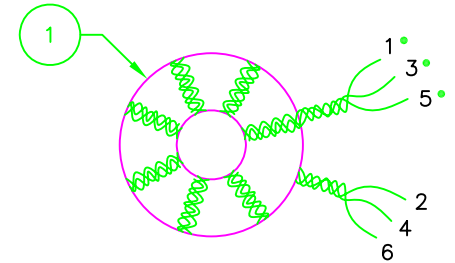
WINDING DATA

MANDREL: _____ FORM: _____ CORE: ITEM 1

WINDING			
WIRE SIZE			
TRAVERSE			
TURNS PER LAYER			
LAYER INSULATION			
NUMBER OF LAYERS			
TOTAL TURNS			
WRAPPER			
LEAD IDENTIFICATION			



SCHEMATIC



LEAD BREAKOUT
(TURNS SHOWN ARE NOT EXACT)
FIGURE 1

TEST NOTES:

UNLESS OTHERWISE SPECIFIED, TESTING IS PERFORMED AT 25°C ±5°C.

1. TURNS RATIO:
1:1:1 ±5%
2. INDUCTANCE: AT 500 KHz, 20 mV
(1-2) = 70 uH MINIMUM
3. LEAKAGE: AT 500 KHz, 20 mV
(1-2) WITH (3-4) SHORT = 180 nH MAXIMUM
(1-2) WITH (5-6) SHORT = 180 nH MAXIMUM
4. D.C. RESISTANCE:
(1-2) = .05 OHM MAXIMUM
5. ET: AT 10 KHz
9 uSEC MINIMUM METHOD 1
6. CAPACITANCE: AT 500 KHz, 20 mV
(1-2 SH) TO (3-4 SH) = 5 pF MAXIMUM
(1-2 SH) TO (5-6 SH) = 5 pF MAXIMUM
7. HIPOT: 1500 VRMS AT 60 Hz FOR 6 SECONDS.

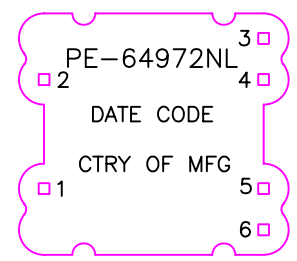
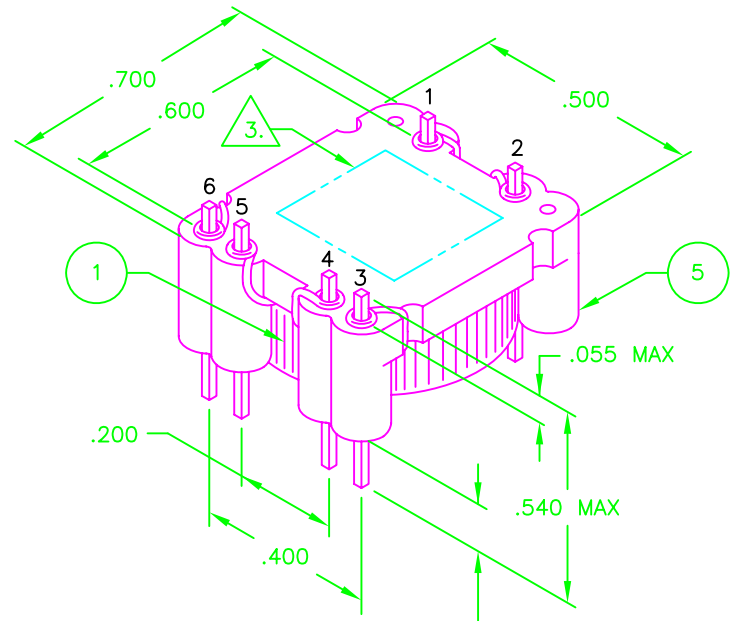


FIGURE 3



FINAL OUTLINE
FIGURE 2

UNLESS OTHERWISE SPECIFIED, ALL DIMENSIONS ARE IN INCHES. TOLERANCES ARE:
DECIMALS .XX ±.01 ANGLES ± 1'
.XXX ±.005
DO NOT SCALE DRAWING

SIZE	CAGE CODE	DWG. NO.	REV
NONE	B01961	PE-64972NL	10
SCALE	CADD FILE	SHEET	
	PE-64972NL-2	2 OF 2	