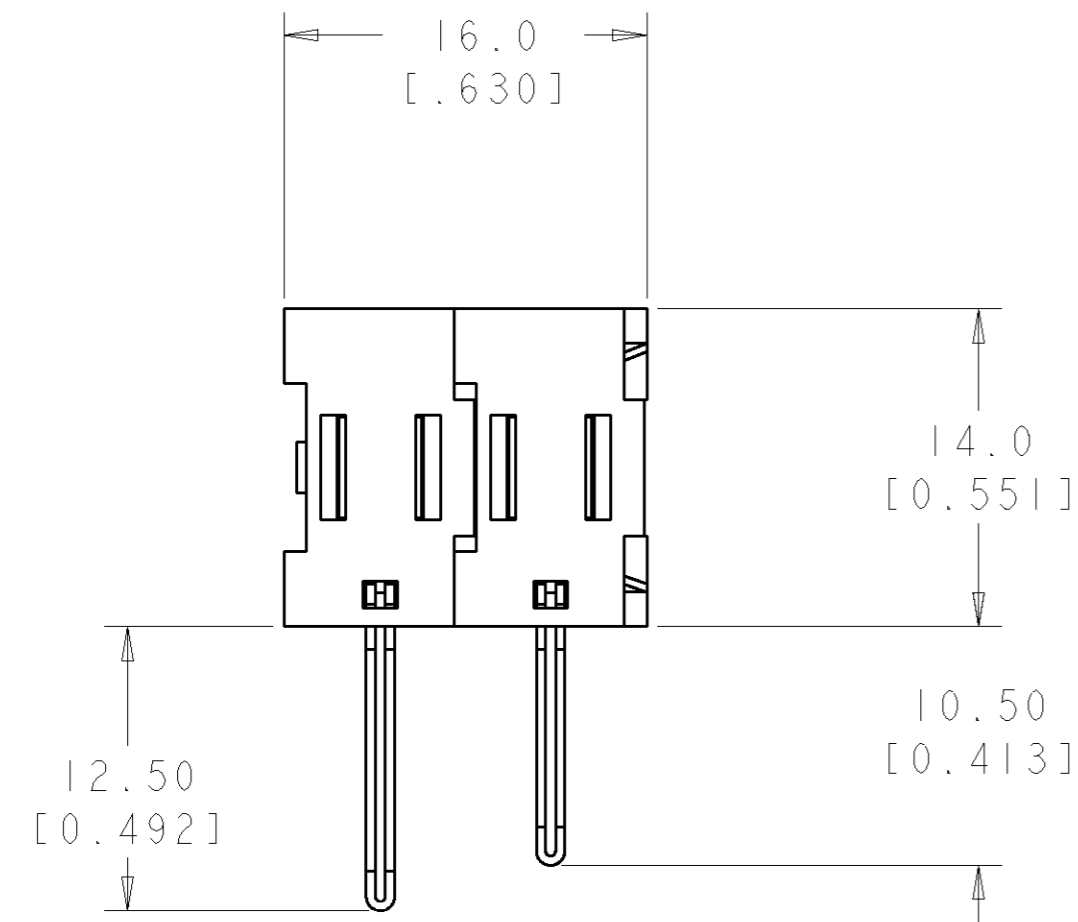


THIS DRAWING IS UNPUBLISHED. RELEASED FOR PUBLICATION 20  
 © COPYRIGHT 20 BY TYCO ELECTRONICS CORPORATION. ALL RIGHTS RESERVED.

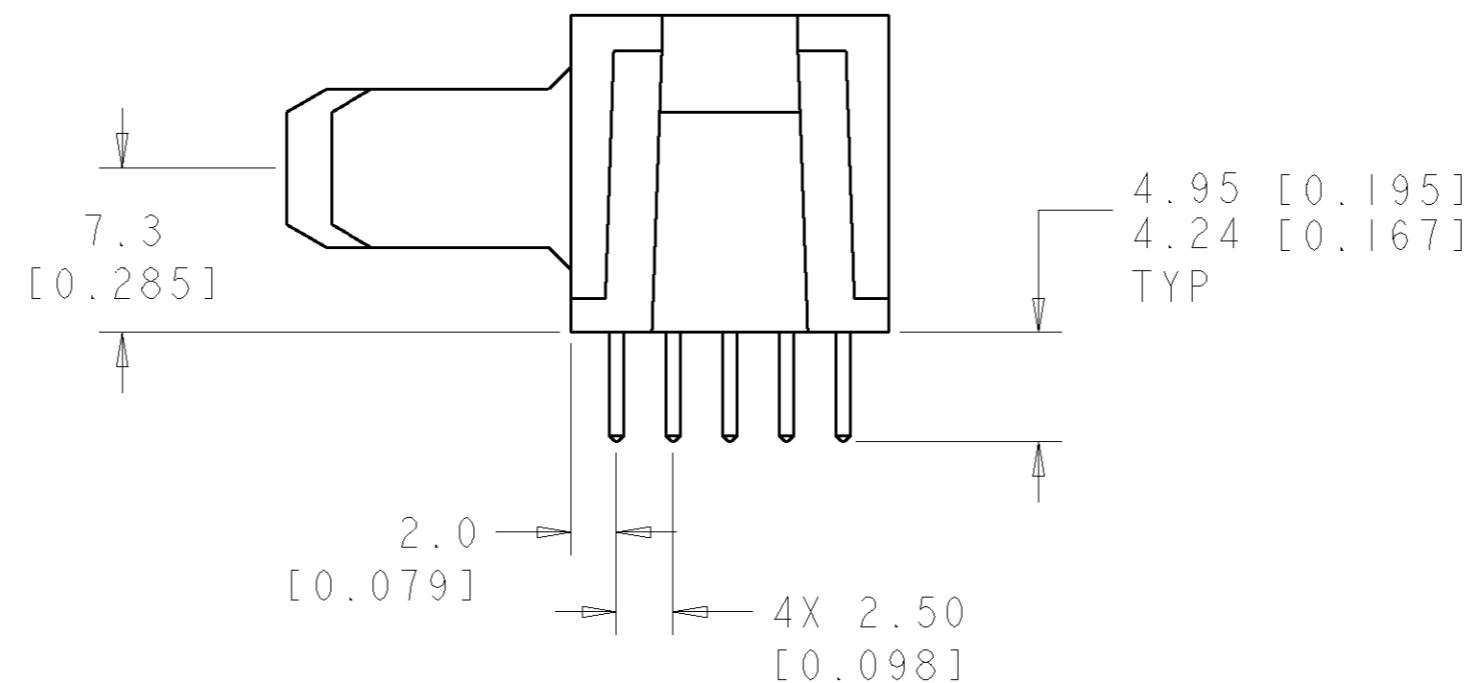
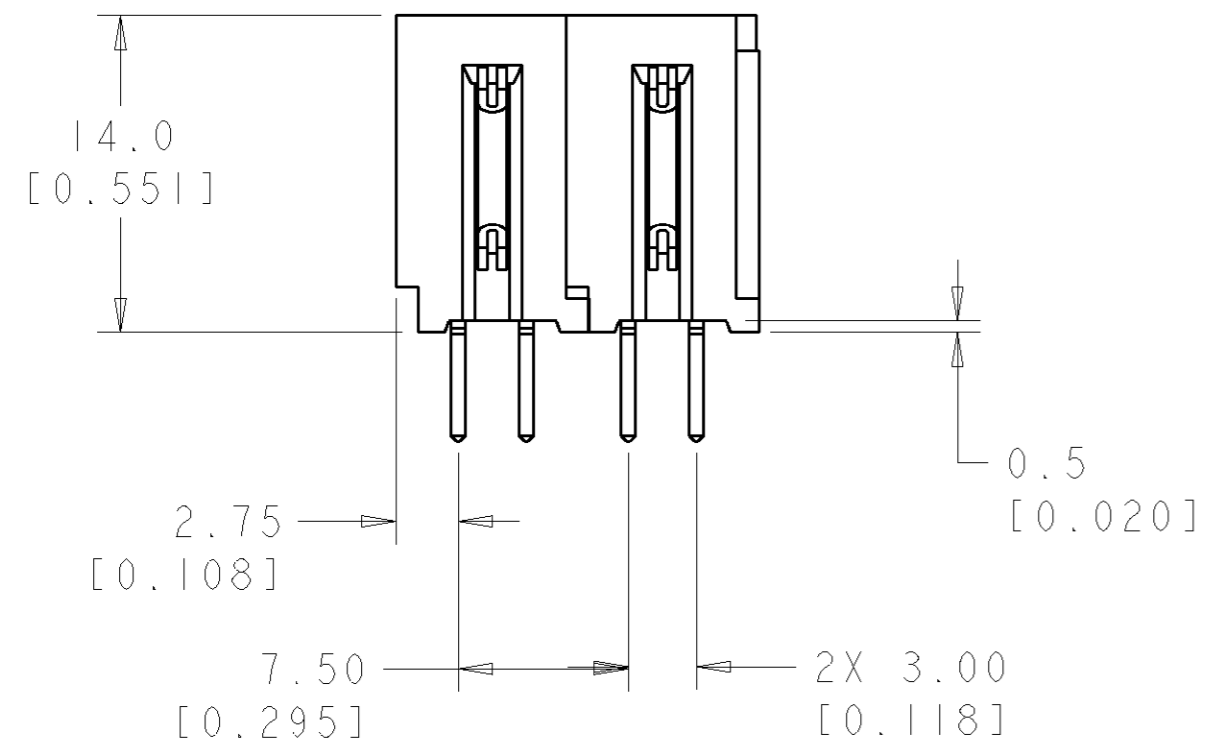
LOC	DIST	REVISIONS					
		P	LTR	DESCRIPTION	DATE	DWN	APVD
GP	00		A	RELEASED	14MAR2006	RG	PD
			B	REV PER ECO-06-025728	02NOV2006	RG	PD



- PART NUMBER CHANGES AND OR DESIGN CHANGES AFFECTING ITEM INTERCHANGEABILITY REQUIRE PRIOR TYCO APPROVAL AND AUTHORIZATION BY REVISION TO THIS DRAWING.
- MATERIAL:  
 INSULATORS - THERMOPLASTIC, GLASS REINFORCED, COLOR: BLACK  
 UL94V-0 FLAMMABILITY RATED.  
 POWER CONTACTS - PHOSPHOR BRONZE ALLOY, COPPER ALLOY  
 CROWN BAND: BERRYLLIUM COPPER
- FINISH:  
 CONTACTS - GOLD PLATE .000030 INCH MIN. THK. OVER NICKEL  
 .000050 INCH MIN. THK.  
 SOLDER TAILS TIN .000120 INCH MIN. THK. OVER NICKEL .000050 MIN THK.
- ITEMS PROVIDED TO THIS SPECIFICATION TO BE IDENTIFIED ON THE CONTAINER PER THE FOLLOWING IDENTIFIER LABEL

YEAR    WEEK     
 TYCO PART NO. \_\_\_\_\_ DATE CODE (e.g. 0106) \_\_\_\_\_  
 XXXXXXXX-X XXXX

5. THIS CONNECTOR MATES WITH SOCKET CONNECTOR P/N 1926015-1



AS SHOWN	1926016-1
DESCRIPTION	PART NUMBER

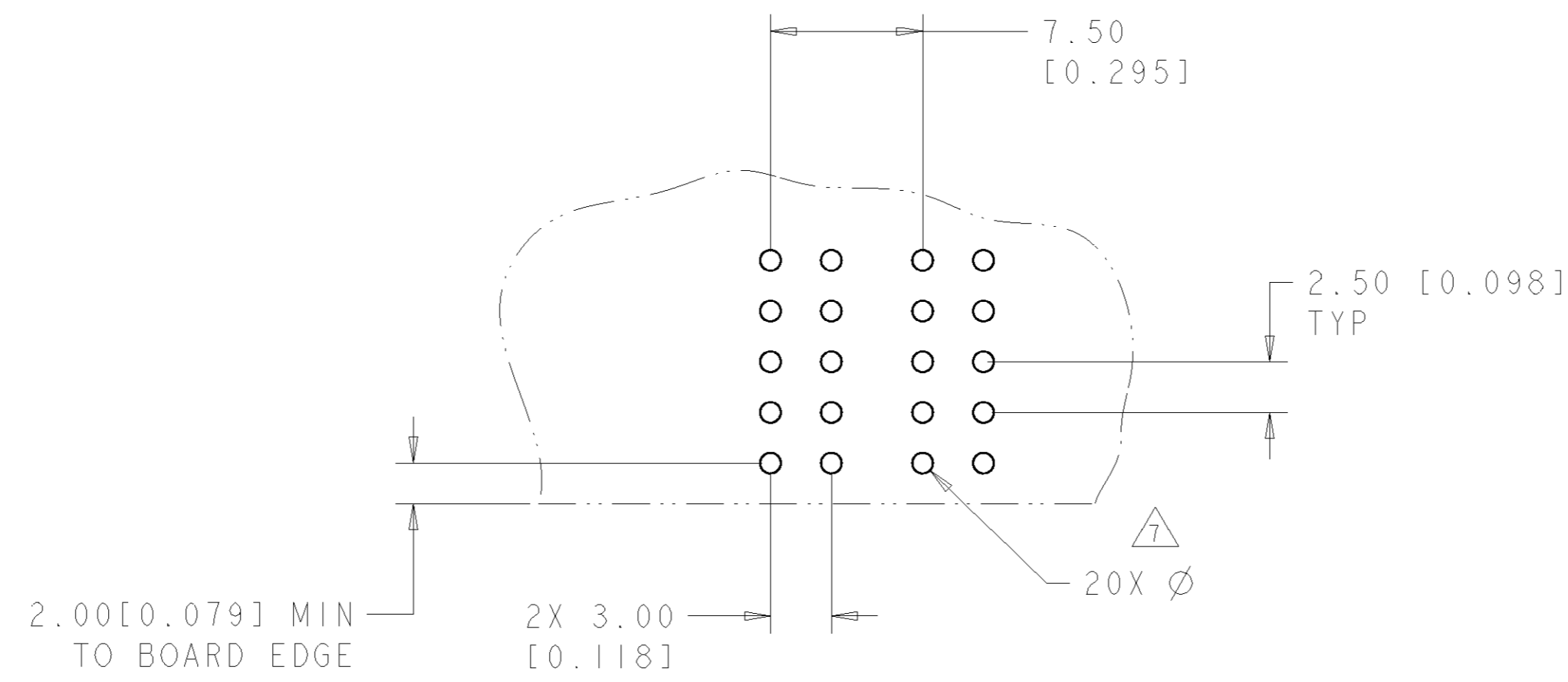
THIS DRAWING IS A CONTROLLED DOCUMENT FOR TYCO ELECTRONICS CORPORATION. IT IS SUBJECT TO CHANGE AND THE CONTROLLING ENGINEERING ORGANIZATION SHOULD BE CONTACTED FOR THE LATEST REVISION.		DWN R. GRZYBOWSKI 08 JUN 06
DIMENSIONS: mm [INCHES]		CHK S. FLICKINGER 08 JUN 06
TOLERANCES UNLESS OTHERWISE SPECIFIED: 0 PLC ± .5 [ .020] 1 PLC ± .5 [ .020] 2 PLC ± .25 [ .010] 3 PLC ± .25 [ .010] 4 PLC ± .25 [ .010] ANGLES ± .5		APVD S. FLICKINGER 08 JUN 06
MATERIAL	FINISH	PRODUCT SPEC - APPLICATION SPEC - WEIGHT - CUSTOMER DRAWING

Tyco Electronics Harrisburg, PA 17105-3608		NAME RIGHT ANGLE PIN CONNECTOR SOLDER TAILS
SIZE A200779	CAGE CODE G-1926016	RESTRICTED TO -
DRAWING NO. 1926016	SCALE 3:1	SHEET 1 OF 3

**ELCON FLATPAQ**

THIS DRAWING IS UNPUBLISHED. RELEASED FOR PUBLICATION 20  
 © COPYRIGHT 20 BY TYCO ELECTRONICS CORPORATION. ALL RIGHTS RESERVED.

LOC	DIST	REVISIONS			
P	LTR	DESCRIPTION	DATE	DWN	APVD
GP	00	-	SEE SHEET 1	-	-



PRINTED CIRCUIT LAYOUT  
 COMPONENT SIDE

CONNECTOR	CATALOG MODULE #	QTY	SIZE NO.	CONTACT QTY	MATING PIN	MAX. CURRENT (PER CONTACT)	CONTACT SPACING	VOLTAGE RATING
PIN	FP0105	1	8	1	1.25 X 7.00 [.049 X .276]	35 amps	7.50 [0.2953]	250
	FP0106	1	8	1	1.25 X 7.00 [.049 X .276]	35 amps	7.50 [0.2953]	250

THIS DRAWING IS A CONTROLLED DOCUMENT FOR TYCO ELECTRONICS CORPORATION. IT IS SUBJECT TO CHANGE AND THE CONTROLLING ENGINEERING ORGANIZATION SHOULD BE CONTACTED FOR THE LATEST REVISION.

DWN: R. GRZYBOWSKI 08 JUN 06  
 CHK: S. FLICKINGER 08 JUN 06  
 APVD: S. FLICKINGER 08 JUN 06

**tyco** Tyco Electronics  
 Harrisburg, PA 17105-3608

NAME: RIGHT ANGLE PIN CONNECTOR SOLDER TAILS

SIZE: A2 CAGE CODE: 00779 DRAWING NO: 1926016 RESTRICTED TO: -

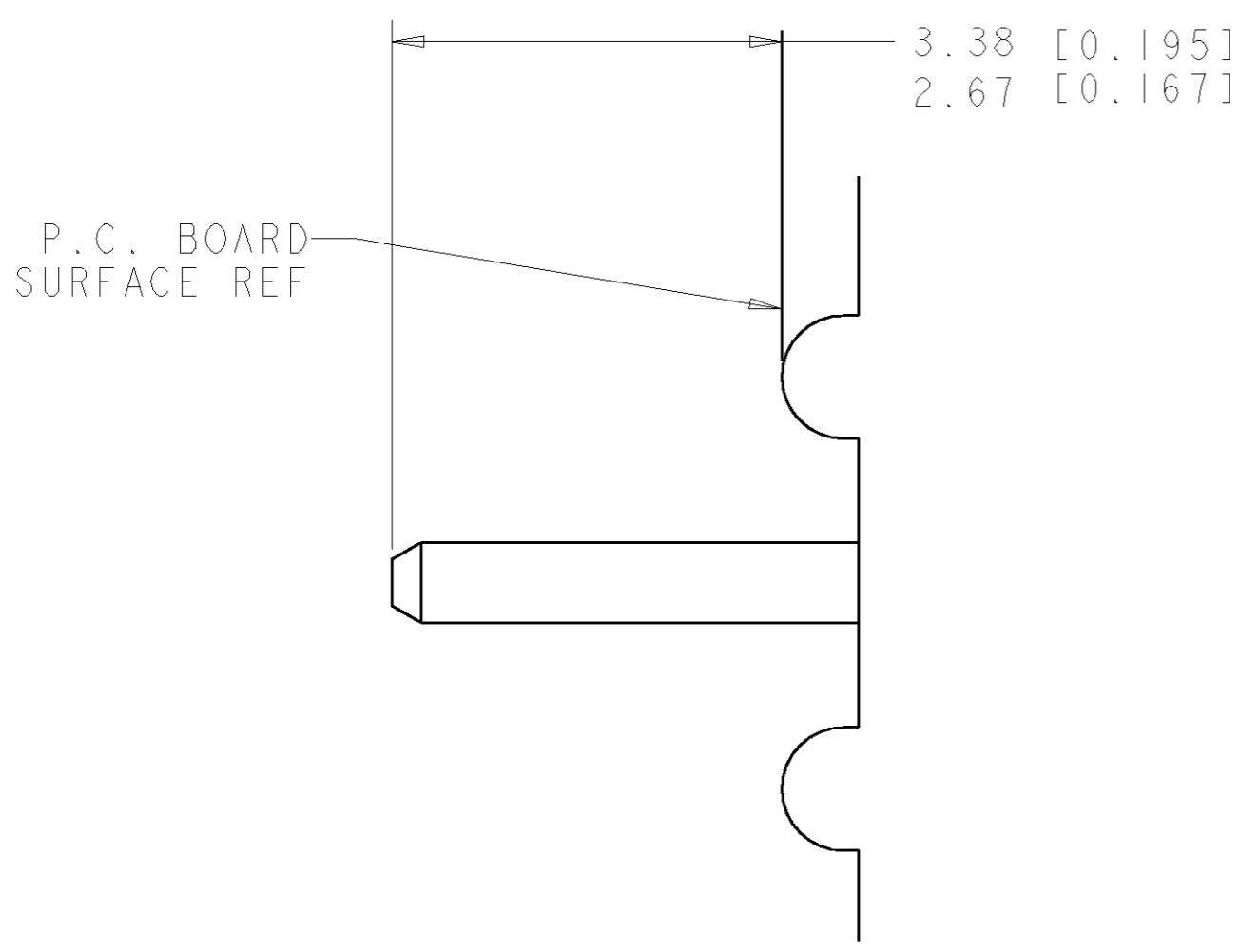
MATERIAL: - FINISH: - WEIGHT: -

CUSTOMER DRAWING SCALE: 3:1 SHEET 2 OF 3 REV B

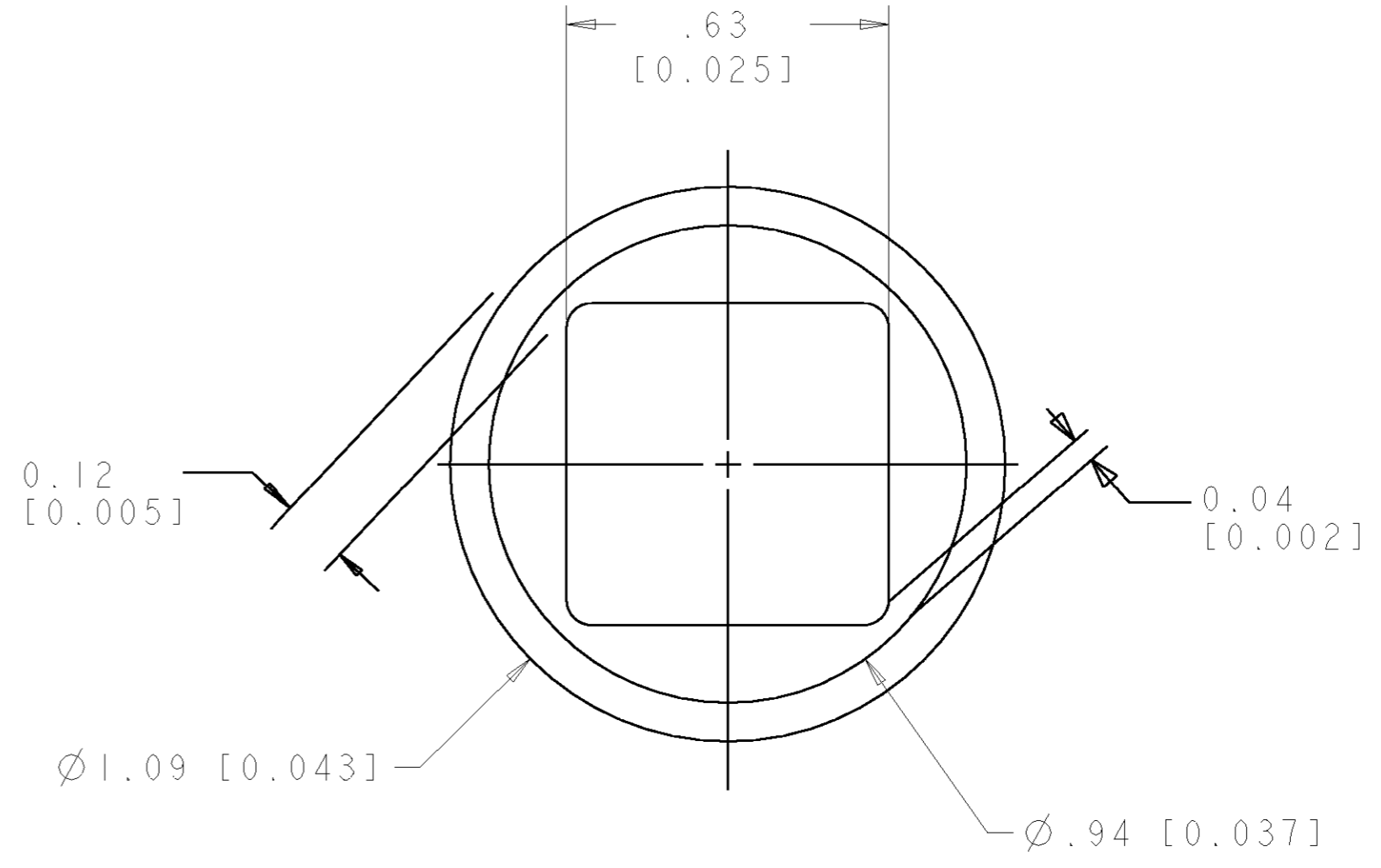
ELCON FLATPAQ

THIS DRAWING IS UNPUBLISHED. RELEASED FOR PUBLICATION 20  
 © COPYRIGHT 20 BY TYCO ELECTRONICS CORPORATION. ALL RIGHTS RESERVED.

LOC	DIST	REVISIONS			
P	LTR	DESCRIPTION	DATE	DWN	APVD
GP	00	-	SEE SHEET 1	-	-



6. SOLDER TAIL DETAIL  
 SCALE 10 : 1



7. SOLDER TERMINATION AREA  
 SCALE 40:1

RECOMMENDED PRINTED CIRCUIT SOLDER HOLE  
 FINISHED HOLE: Ø 1.02 [0.040] ±.08 [0.003]  
 DRILLED HOLE: Ø 1.15 [0.0453] ±.013 [0.0005]  
 COPPER PLATE: .025 [0.0010] MIN (PER SURFACE)  
 TIN PLATE: .008 [0.0003] MIN. (PER SURFACE)

ELCON FLATPAQ

THIS DRAWING IS A CONTROLLED DOCUMENT FOR TYCO ELECTRONICS CORPORATION IT IS SUBJECT TO CHANGE AND THE CONTROLLING ENGINEERING ORGANIZATION SHOULD BE CONTACTED FOR THE LATEST REVISION.		DWN R. GRZYBOWSKI 08 JUN 06	tyco Tyco Electronics Harrisburg, PA 17105-3608	
DIMENSIONS: mm [INCHES]		CHK S. FLICKINGER 08 JUN 06	NAME RIGHT ANGLE PIN CONNECTOR SOLDER TAILS	
TOLERANCES UNLESS OTHERWISE SPECIFIED: 0 PLC ±- 1 PLC ±.5 [0.020] 2 PLC ±.25 [0.010] 3 PLC ±- 4 PLC ±- ANGLES ±.5		APVD S. FLICKINGER 08 JUN 06	PRODUCT SPEC -	
MATERIAL -		APPLICATION SPEC -	WEIGHT -	RESTRICTED TO -
		CUSTOMER DRAWING	SCALE 3:1	SHEET 3 OF 3 REV B