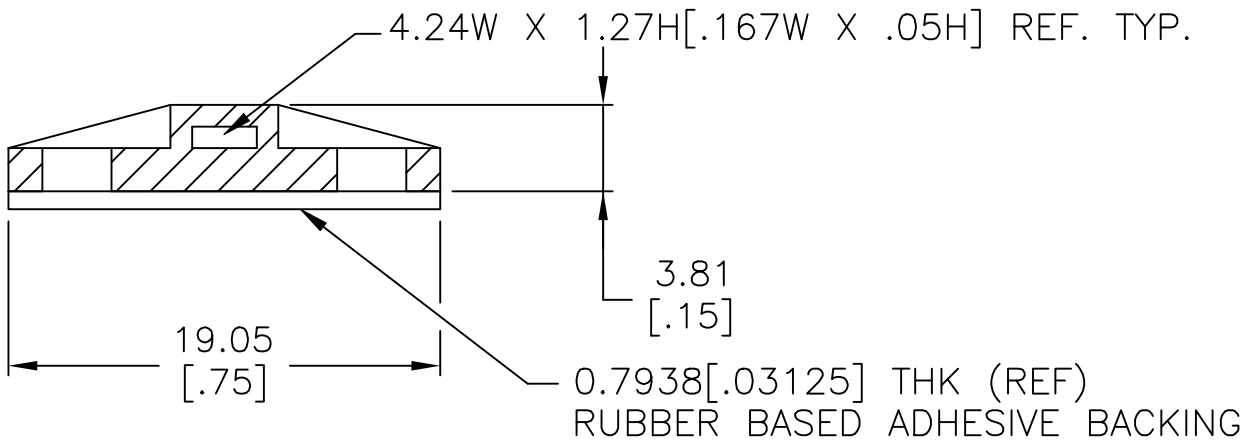
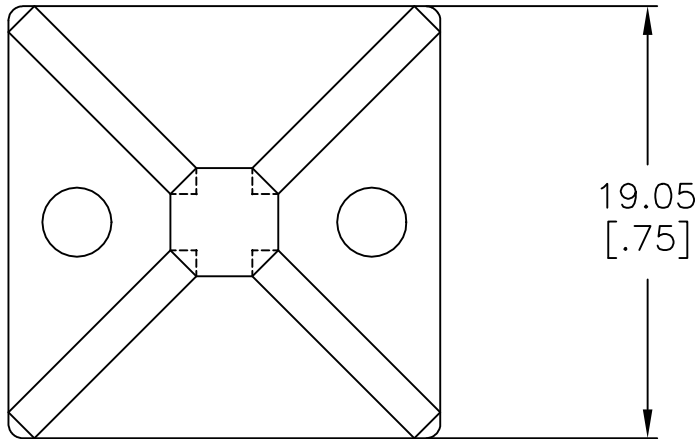


| REVISIONS | | | | | |
|-----------|-----|---------------------------|-----------|-----|------|
| P | LTR | DESCRIPTION | DATE | DWN | APVD |
| | 0 | RELEASED | 17-JAN-00 | KW | JS |
| | A | REDRAWN PER ECO-17-002880 | 31AUG2017 | BDA | DR |
| | A1 | REVISED PER ECO-17-013665 | 09JAN2018 | RS | DR |
| | A2 | REVISED PER ECO-18-008037 | 24MAY2018 | RS | DR |

- 1 ACCOMODATES CABLE TIES WITH TENSILE VALUE OF 133.44 NEWTONS [30 LBS] MAXIMUM.
- 2 AS SHOWN – PACKAGED 100 PER SEALED POLY BAG WITH LABEL TO CONTAIN AMP P/N DESCRIPTION, QUANTITY, DATE CODE, AND U.L. RECOGNITION MARK.



608802-1
PART NUMBER

RELEASED FOR PUBLICATION

ALL RIGHTS RESERVED.

© COPYRIGHT - TE Connectivity

THIS DRAWING IS UNPUBLISHED.

| | | | | | |
|--|-----------------------------------|--------------------------|--------------------|---|--------------------|
| DIMENSIONS: mm [INCHES] | DWN K. WHITAKER 17-JAN-2000 | MATERIAL NYLON, WHITE | FINISH - | | |
| | CHK J. SCHLUNZ 17-JAN-2000 | TE Connectivity Ltd. | | | |
| TOLERANCES UNLESS OTHERWISE SPECIFIED: | APVD J. SCHLUNZ 17-JAN-2000 | | | NAME 4 WAY CABLE TIE MOUNT 2 #4 SCREW HOLES, W/ADHESIVE | |
| 0 PLC ± - | PRODUCT SPEC - | SIZE A4 | CAGE CODE 00779 | DRAWING NO 608802 | RESTRICTED TO - |
| 1 PLC ± - | APPLICATION SPEC - | SCALE 3:1 | | SHEET 1 OF 1 | REV A2 |
| 2 PLC ± 0.51 [.02] | WEIGHT | CUSTOMER DRAWING | | | |
| 3 PLC ± - | | | | | |
| 4 PLC ± - | | | | | |
| ANGLES ± 0° 30' | | | | | |

