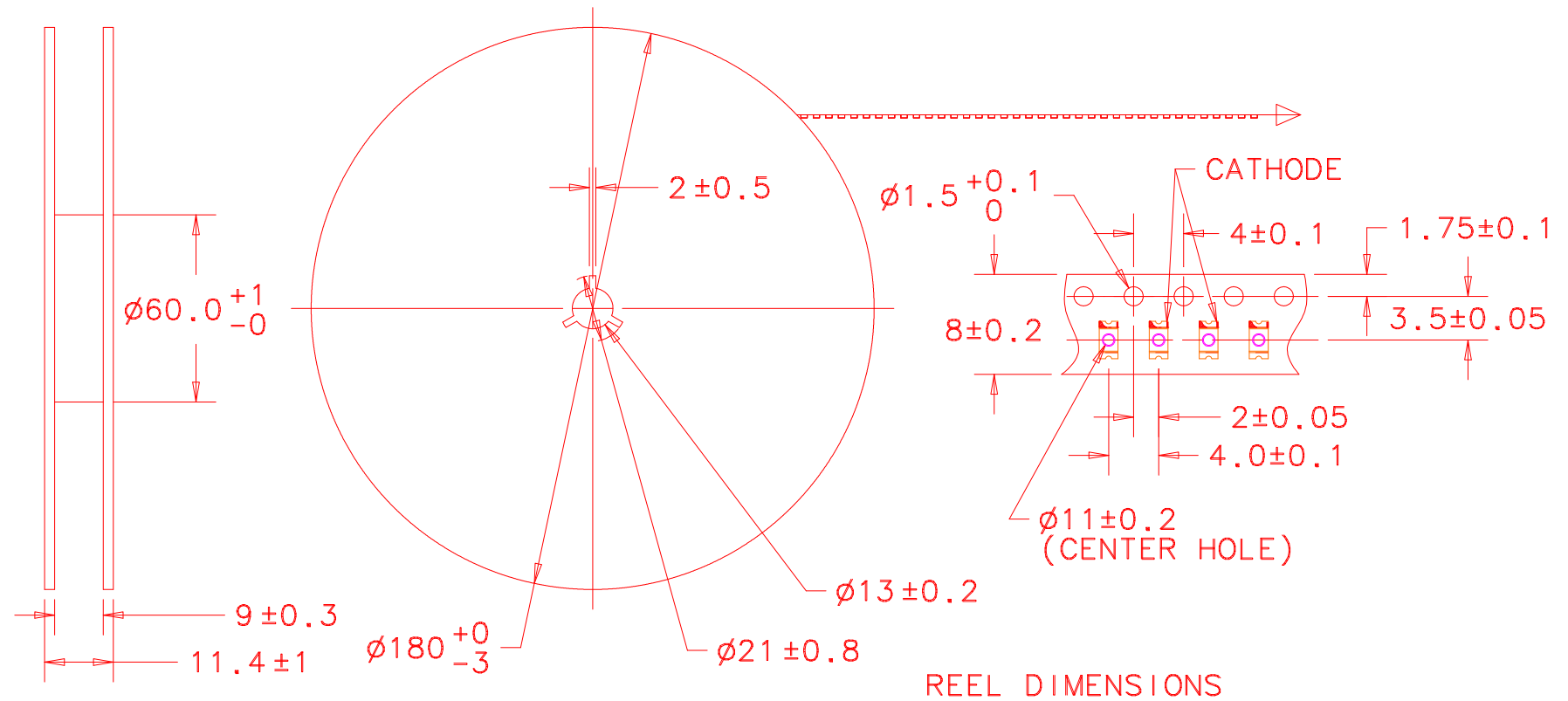


SDRC FILE NAME: B17147

| REVISIONS | | | |
|-----------|--------|----------------------|---------|
| REV | ECR NO | DESCRIPTION | DATE |
| A | 20318 | NEW RELEASE | |
| B | 20628 | REMOVED VENDOR No'S. | 6/25/01 |



| | | | |
|--|---|-----------------|----------|
| DIM ARE IN MILLIMETERS | Ⓞ FOR INSPECTION USE ONLY | | |
| | ⓧ SPC DOCUMENTATION REQ. (X R CHARTS) | | |
| THIS DWG IS THE PROPERTY OF CHICAGO MINIATURE LAMP, INC AND IS PROPRIETARY IN GENERAL AND IN DETAIL. IT SHALL NOT BE COPIED OR ITS CONTENTS REVEALED TO OUTSIDE PARTIES WITHOUT THE WRITTEN CONSENT OF CHICAGO MINIATURE LAMP, INC | DRAWN BY R.HANES | DATE 4/16/01 | PART NO |
| | CHECKED BY | DATE | MODEL NO |
| | ENG. APPRV. | DATE | MOLD NO |
| | UNLESS OTHERWISE SPECIFIED TOLERANCES ON: | | MATERIAL |
| | .XX ±0.25 | | FINISH |
| | .XXX ±0.25 | | |
| | ANGLE ± 1° | | |



CHICAGO MINIATURE LAMP, INC
147 CENTRAL AVE. HACKENSACK, NJ 07601

TITLE SURFACE MOUNT LED-RIGHT ANGLE

DIST. **v/s** DWG NO B17147 REV B

SCALE NTS SHEET 1 OF 2