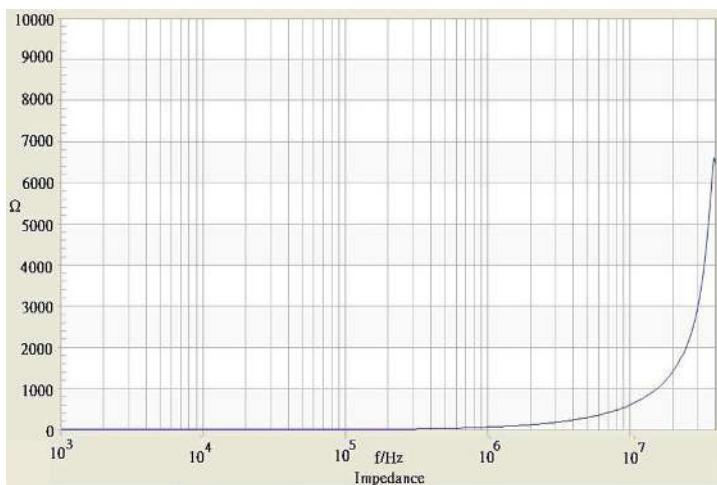


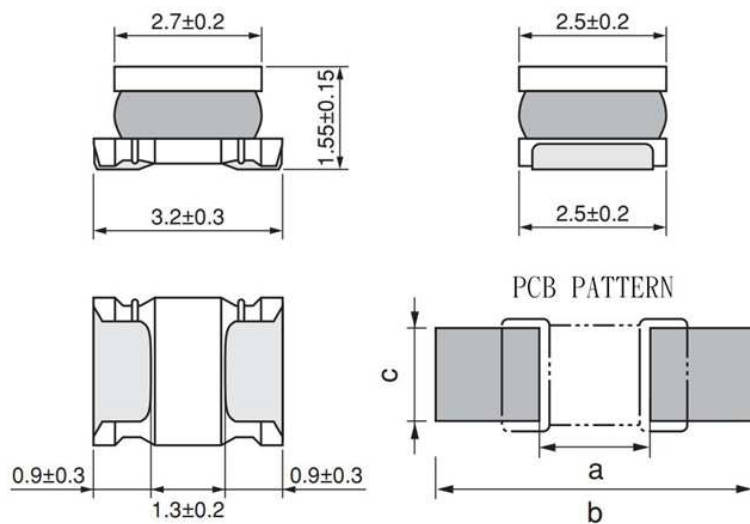
|                              |   |
|------------------------------|---|
| <b>Order Code</b>            | <b>TCK-120</b>                          |
| <b>Inductance</b>            | 10 $\mu$ H $\pm$ 20% (at 100 kHz / 1 V) |
| <b>Impedance (DCR)</b>       | 354 m $\Omega$ max.                     |
| <b>Rated Current</b>         | 0.9 A max.                              |
| <b>Operating Temperature</b> | -40°C to +125°C                         |
| <b>RoHS Exemptions</b>       | No Exemptions                           |



### Impedance Curve



### Outline Dimensions



| Dimensions [mm] |     |
|-----------------|-----|
| <b>a</b>        | 1.9 |
| <b>b</b>        | 3.6 |
| <b>c</b>        | 2.7 |

All specifications valid at +25°C, unless otherwise stated.