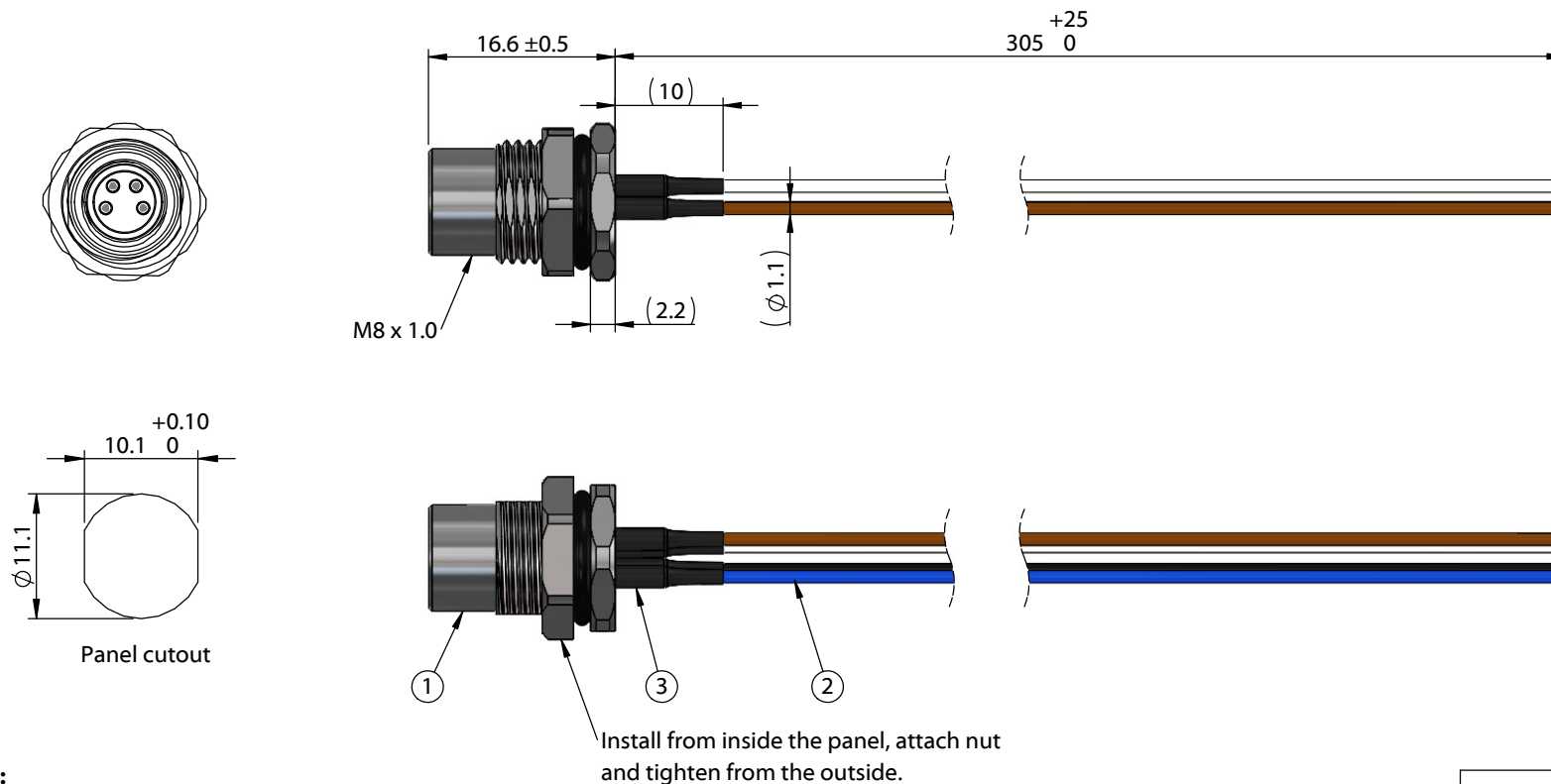


ITEM NO.	PART NUMBER	DESCRIPTION	QTY.	COMPONENT NOTES
1	54-00293	Connector, 4 pin M8 A-code socket, 8x18.7 mm, gold plated, panel mount, solder cup, IP67	1	nut and o-ring included
2	Wire	Wire, hook-up, TS, 24 AWG, UL 11028, 600V, 105C, 1.1 mm, mPPE	4	color: brown, white, blue, black
3	Heat shrink	Heat shrink, UL, black	4	covers solder joints



Notes:
 Cable rated for 30 V, 3 A
 Temperature: -40 ~ 105 °C

IP67 waterproof rating when mated with corresponding (IP67) connector and installed properly in panel

Cables individually packaged in PE bag
 Functionally equivalent components may be substituted



Front View
 Not to Scale

Wiring Diagram	
54-00293	wire color (P/N)
1	brown (30-01771)
2	white (30-01764)
3	blue (30-01766)
4	black (30-01763)

Revision:	Date:	Description:	Prepared:	Notes:	<h1>TENSILITY</h1> <p>tel 1.541.323.3228 800 877.670.7118 fax 1.541.323.4202 web tensility.com</p>
A	11/3/2022	Initial release	PB <small>Digitally signed by PB Date: 2022.11.10 09:36:53 -08'00'</small>	RoHS compliant	
			Verified: MP <small>Digitally signed by MP Date: 2022.11.28 15:05:29 -08'00'</small>	Function test: no open, no short circuit, no intermittent	
			Dimensions are in millimeters. Tolerances: X: ± 0.5 mm X.X: ± 0.3 mm X.XX: ± 0.05 mm	Description: Cable, 305 mm, M8 4C socket panel mount 54-00293 to blunt cut, 24 AWG, UL 11028 hook-up wire	
					Size: A Part number: 10-05256 Scale: 1.5:1