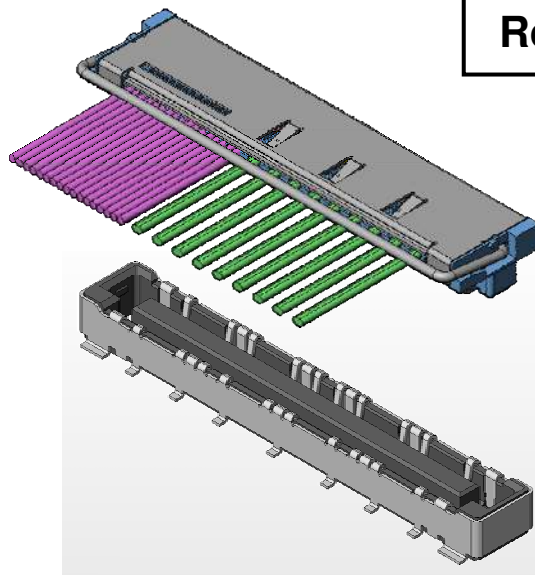


**NEW**  
Board to Cable Connector Compatible to High Speed  
Differential Transmission

CONNECTOR

MB-0141-2

July 2006

**FI-D Series****RoHS Compliant**

The FI-D series are high speed differential transmission connectors for LCD panel.

**Features**

- Ground condition is reinforced to improve EMI characteristics.
- Soldering connection of plug side is possible at once.  
(compatible to twin coaxial and discrete cable)
- Height variations for receptacle, can be selected from 4 heights.  
Mating height: 4.40mm, 7.35mm, 8.50mm, and 9.35 mm

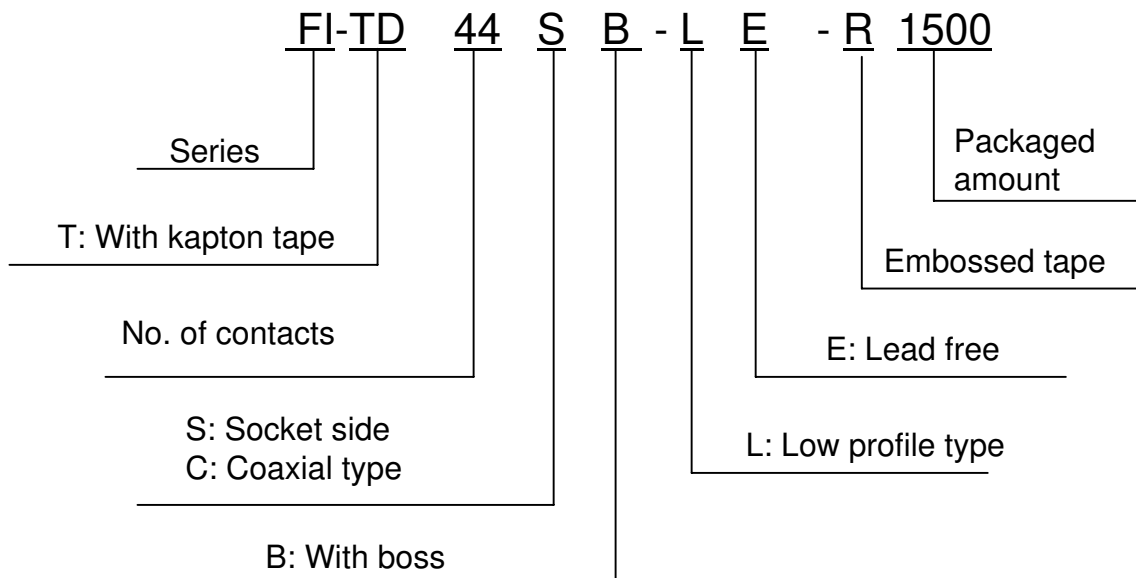
**General Specifications**

- No. of contacts :44 pos.
- Contact resistance: 70m ohm max.
- Dielectric withstanding voltage: 500Vr.m.s per minute
- Operating temperature: -40 Deg. C to +85 Deg. C
- Rated current: 0.5A /1pin
- Lifetime: 30 times
- Applicable cable: Contact No. 1 to 17 Discrete (AWG #40) or Coaxial (AWG #40)  
Contact No. 18 to 44 Twin-Coaxial (AWG #32)

Materials and Finishes

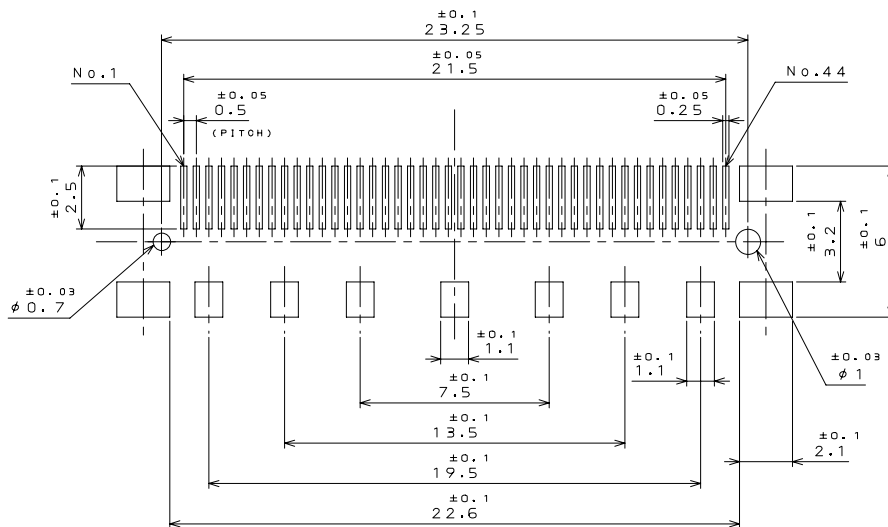
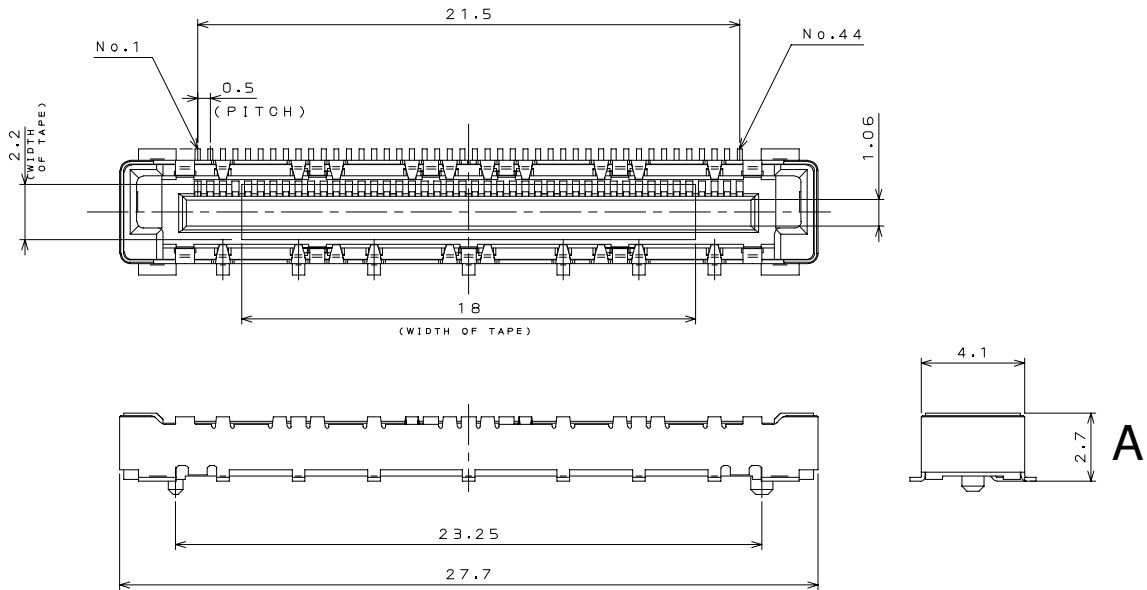
| Components        | Materials /Finishes  |
|-------------------|--|
| Receptacle        |  |
| Contact           | Copper Alloy/<br>Contact area: 0.76um min. Au plating over Ni<br>Terminal area: Sn plating over Ni             |
| Insulator         | Thermoplastic resin UL94V-0 black  |
| Shell             | Stainless steel: Sn plating  |
| Plug              |  |
| Contact           | Copper Alloy/<br>Contact area: 0.76um min. Au plating over Ni<br>Terminal area: Sn or Au flash plating over Ni |
| Insulator         | Thermoplastic resin UL94V-0 black  |
| Shell             | Copper alloy: Sn plating   |
| Shell (plug side) |  |
| Shell             | Stainless steel: Sn plating over Ni  |

Ordering Information



# Receptacle side: FI-TD44SB-LE (SJ101013)

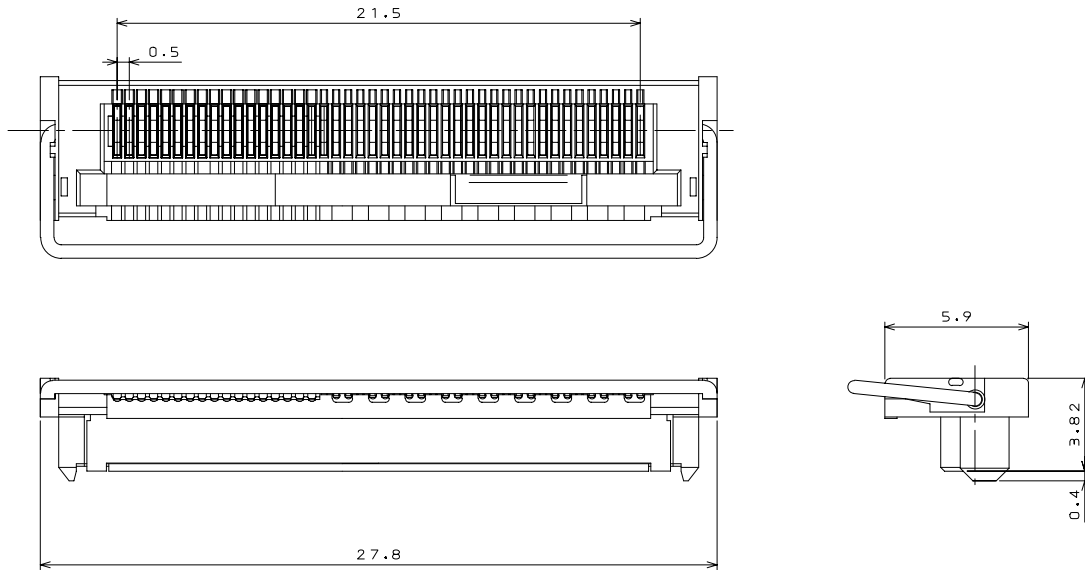
## Emboss packaged product: FI-TD44SB-LE-R1500 (SJ101015)



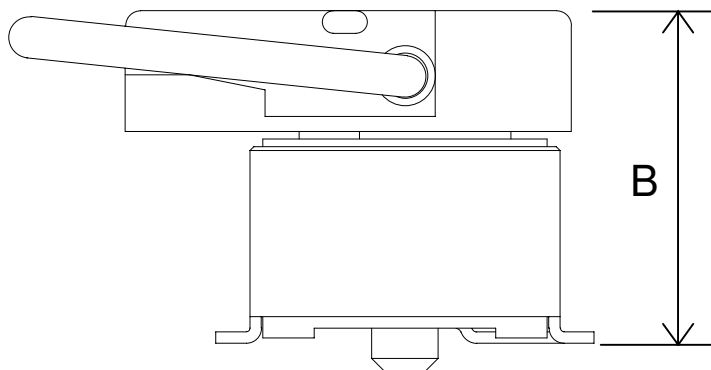
Unit: mm

| Part Number            | SJ Drawing             | Dimension A | Dimension B |
|------------------------|------------------------|-------------|-------------|
| FI-TD44SB-VF93 (-R750) | SJ100866<br>(SJ100867) | 7.65        | 9.35        |
| FI-TD44SB-VF85 (-R750) | SJ102166<br>(SJ102167) | 6.80        | 8.50        |
| FI-TD44SB-E (-R750)    | SJ101238<br>(SJ101239) | 5.65        | 7.35        |
| FI-TD44SB-LE (-R1500)  | SJ101013<br>(SJ101015) | 2.70        | 4.40        |

# Plug side: FI-D44C2-E (SJ101236)



## Mating height



Unit: mm

| Part Number         | SJ Drawing |
|---------------------|------------|
| FI-D44C2-E          | SJ101236   |
| FI-D44C2-SH-BE-8000 | SJ101237   |

**Notice:** Products shown in this leaflet are made for the applications listed below. However, if the above-mentioned products are to be used in aerospace devices, marine cable-connection devices, atomic power control systems, medical equipment for life-support systems, or any other specific application requiring extremely high reliability, please contact JAE for further information.

Recommended applications: computers, office machines, measuring devices, telecommunication devices (terminals, mobile devices), AV devices, household applications, FA devices, etc.

## Japan Aviation Electronics Industry, Limited

Product Marketing Division  
 Aobadai Building, 3-1-19, Aobadai, Meguro-ku, Tokyo 153-8539  
 Phone: +81-3-3780-2787 FAX: +81-3-3780-2946