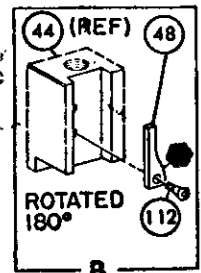


SPECIAL
PRE-FEED
1 5/8" STROKE



NOTES:

1- ONLY THE ITEMS WITH QUANTITIES SPECIFIED ON PARTS LIST ARE USED ON THIS APPLICATOR.

△ USED IN PLACE OF ITEM 38 WHEN INSULATION CRIMP IS NOT USED.

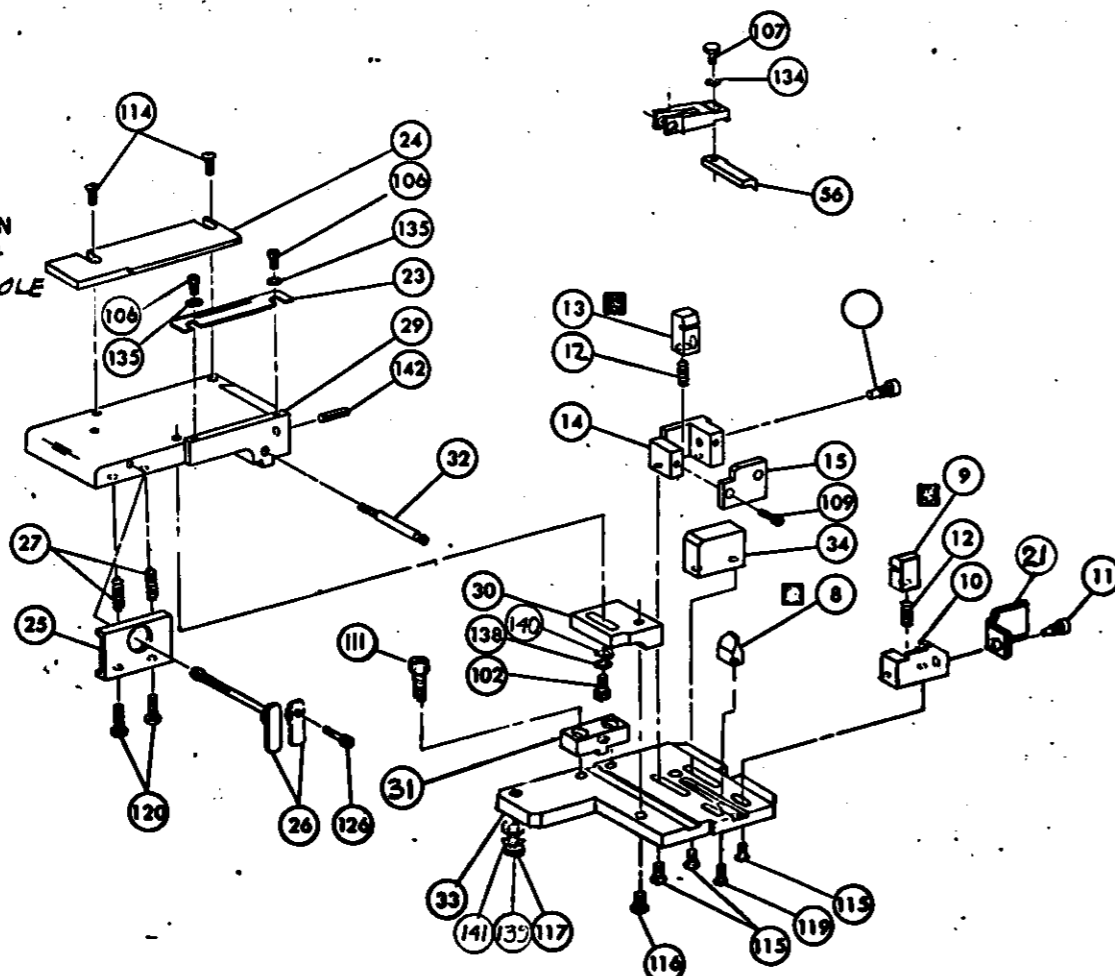
3-FEED PIVOT-CENTER HOLE

△ SEE REMARKS.

KEY:

■ -RECOMMENDED SPARE PARTS
CUSTOMER RESPONSIBLE FOR
REPLACEMENT.

● -GREASE WEEKLY



QTY	PART NO	DESCRIPTION	ITEM NO
1	4-21028-0	PIN, SLOT SPR (.093 DIA X .75) STR G PLATE	142
1	21899-2	WASHER, FLAT (NO 10) MOUNTING	141
1	21899-2	WASHER, FLAT (NO 12) S. G. ADJ BLOCK	140
1	21024-5	WASHER, LOCK (NO 10) MOUNTING	139
1	21024-5	WASHER, LOCK (NO 10) STRIP GUIDE ADJ BLOCK	138
1	21057-2	WASHER, LOCK (NO 4) FRONT STRIP GUIDE	136
REF	21024-4	WASHER, LOCK (NO 8) FEED FINGER	134
2	21024-4	WASHER, LOCK (NO 8) DEPRESSOR	133
REF	21024-4	WASHER, LOCK (NO 8) STRIP FEED	132
1	21068-5	NUT, HEX MACH (6-32) HOLDDOWN	129
1	22353-8	SCR, SHLD. (187 DIA X .250 LG) DRAG LEVER	126
1	21009-2	SCR, SKT SET (1/4-20 X .25) (LOC-WEL) RAM	124
2	21017-2	SCR, DRIVE (# 2 X .188 LG)	122
1	819347-1	PLATE, I.D.	121
2	2-21002-9	SCR, BUT HD SKT CAP (10-32 X .75) DRAG	120
1	22733-8	SCR, BUT HD SKT CAP (8-32 X .38) (LOC-WEL) ANVIL	119
1	3-21000-8	SCR, SOG HD SKT CAP (10-32 X .88) MOUNTING	117
1	2-22733-1	SCR, BUT HD SKT CAP (10-32 X .50) SG ADJ BLOCK	116
4	22733-9	SCR, BUT HD SKT CAP (8-32 X .50) SHEAR	115
2	2-21002-2	SCR, BUT HD SKT CAP (8-32 X .50) R STRIP GUIDE	114
1	1-21002-7	SCR, BUT HD SKT CAP (6-32 X .50) CAM	112
2	2-21000-7	SCR, SKT HD CAP (8-32 X .50) SCR. BLOCK	111
1	23030-1	SCR, SKT HD CAP (6-32 X .25) (LOC-WEL) CP DISC	110
2	2-21000-7	SCR, SKT HD CAP (8-32 X .50) DEPRESSOR (REAR)	108
REF	2-21002-1	SCR, BUT HD MACH (8-32 X .38) FEED FINGER	107
2	1-21000-3	SCR, SKT HD CAP (4-40 X .25) F STRIP GUIDE	106
REF	2-21002-1	SCR, BUT HD CAP (8-32 X .38) STRIPPER	105
1	3-22603-1	SCR, HEX HD CAP (10-32 X .38) SG ADJ BLOCK	102
2	463310-8	BLADE, STRIPPING (#20)	77
1	690603-1	SPRING, ASSIST	72
1	5-22280-0	SPRING, SHEAR	12
1	690461-2	STOP, SHEAR	11
1	462548-1	HOLDER, SHEAR (FRONT) SPECIAL	10
1	462547-1	SHEAR, FLOAT (FRONT) SPECIAL	9
1	2-690512-9	ANVIL	8
1	462838-1	DEPRESSOR, SHEAR (FRONT) SPECIAL	5
1	462838-1	DEPRESSOR, SHEAR (REAR)	6
1	462838-1	SPACER, TUBULAR, INS CRIMPER	4
1	462838-1	CRIMPER, INSULATION	3
1	462838-1	SPACER, CRIMPER	2
1	462838-1	CRIMPER, WIRE	1

QTY	PART NO	DESCRIPTION	ITEM NO
63	463310-8	BLADE, STRIPPING (#20)	77
62	5-22280-0	SPRING, SHEAR	12
61	690461-2	STOP, SHEAR	11
60	462548-1	HOLDER, SHEAR (FRONT) SPECIAL	10
59	462547-1	SHEAR, FLOAT (FRONT) SPECIAL	9
58	2-690512-9	ANVIL	8
57	462838-1	DEPRESSOR, SHEAR (FRONT) SPECIAL	5
56	462838-1	DEPRESSOR, SHEAR (REAR)	6
55	462838-1	SPACER, TUBULAR, INS CRIMPER	4
54	462838-1	CRIMPER, INSULATION	3
53	462838-1	SPACER, CRIMPER	2
52	462838-1	CRIMPER, WIRE	1

CRIMPING DATA				APPLICATOR WILL APPLY	
PAD LTR	CRIMP HEIGHT	WIRE SIZE	WIRE STRIP LENGTH	PIN	SOCKET
A	.028	28		205310	205311
B					
C	.032	24			
D	.030	26			

CRIMP	SIZE	TYPE	FEED	APPL INST
WIRE	.042	F	.300	A1
INSUL				

WIRE RANGE 28-26 A INSULATION RANGE PRESS NO 1.068 MAX 463345-1

REMARKS: WIRE SIZE #24 ONLY WHEN APPROVED BY APPL. ENG.

REV	DATE	BY	DESCRIPTION
1			

THIS INFORMATION IS UNCLASSIFIED AND IS SUBJECT TO THE NATIONAL ARCHIVES RELEASE SCHEDULE. FOR MORE INFORMATION CONTACT THE NATIONAL ARCHIVES AT COLLEGE PARK, MARYLAND, 20740.