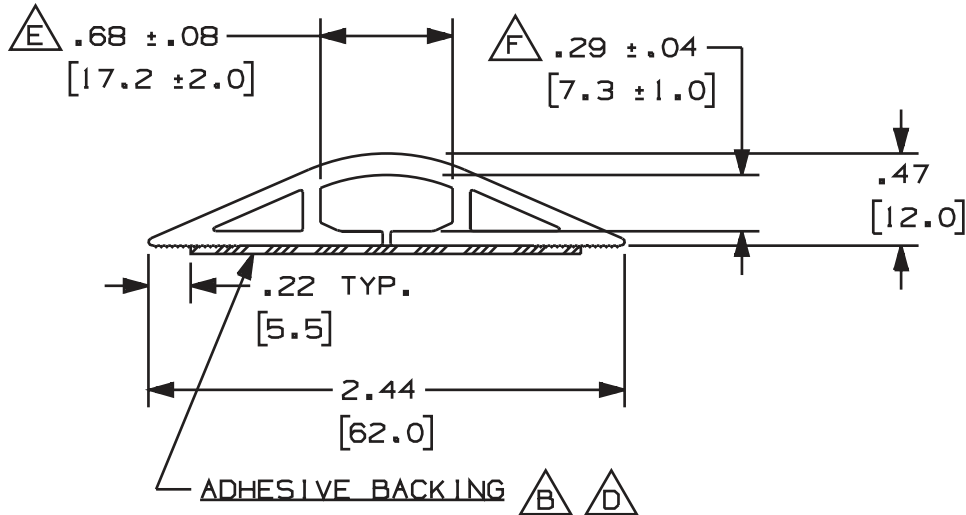


THIS COPY IS PROVIDED ON A RESTRICTED BASIS AND IS NOT TO BE USED IN ANY WAY DETRIMENTAL TO THE INTERESTS OF PANDUIT CORP.

NO WARRANTY, EXPRESSED OR IMPLIED, IS MADE BY PANDUIT WITH RESPECT TO ADHESIVE BOND PERFORMANCE AMONG OTHER THINGS, THE CONDITIONS UNDER WHICH THESE PRODUCTS MAY BE APPLIED AND/OR THE SURFACE TO WHICH THEY MAY BE APPLIED ARE BEYOND PANDUIT'S CONTROL.

△G	PANDUIT PART NUMBER	LENGTH (MINIMUM)	PACKAGE TYPE	WEIGHT	△A
	FG3**6S-A	6 FOOT	STRAIGHT LENGTH	0.24 LB/FT (.36g/mm)	△A
△C	FG3**50-A	50 FOOT	COIL	0.24 LB/FT (.36g/mm)	△A



TWO SIDED ACRYLIC TAPE .009 (.2) THICK WITH PROTECTIVE LINER. (TAPE TO BE APPLIED AT TIME OF APPLICATION).

△G **NOTES:**

1. SEE CURRENT CATALOG FOR ADDITIONAL PART SUFFIXES TO INDICATE COLOR AND/OR PACKAGE QUANTITY.
2. DIMENSIONS IN PARENTHESIS ARE IN METRIC.

INSTRUCTIONS:

- △H
1. CUT FLOORGUARD TO DESIRED LENGTH.
 2. INSERT WIRES INTO FLOORGUARD.
 3. APPLY TAPE TO FLOORGUARD. (TAPE IS TO BE CENTRALLY LOCATED ON THE FLOORGUARD AS SHOWN ON THE DRAWING). THIS NOTE DOES NOT APPLY TO FG3**-6S-A TYPE PART NUMBERS AS THE TAPE IS PRE-APPLIED.
 4. REMOVE RELEASE LINER FROM TAPE AND PLACE FLOORGUARD ON A CLEAN, DRY SURFACE.
 5. APPLY PRESSURE TO ENTIRE LENGTH OF FLOORGUARD TO OBTAIN MAXIMUM ADHESION.

CAD FILENAME/LAYERS
WPXD_MISC_DUCT_CUSTOMER_2.prt (32)

PANDUIT CORP. TINLEY PARK, ILLINOIS

FLOORGUARD
(FG3)
CUSTOMER DRAWING

REV	DATE	BY	CHK	DESCRIPTION	ECN	R	CUST	SUP
-	----	----	H. REVISED NOTE NUMBER 3.	----	----	
-	----	----	G. REVISED NOTES AND CHART. F. ADDED DIMENSION: .29 ± .04.	----	----	
3	4-18-97	JBA	CEF	E. ADDED DIMENSION: .68 ± .08. D. CHANGED CLOTH TO ACRYLIC.	34026-2		CEF	CEF
2	8-22-89	KAC	CEF	C. ADDED 50ft AND COLORS: BL, EI, SY DELETED BG, CHG LENGTH TOLERANCE.	34026-2		CEF	
1	5-1-87	CEF	WJB	B. CHANGED TAPE TYPE, ADD. TOLERANCE A. .24 WAS .25, (.36) WAS (.37).	34026-2			
R	1-10-86	CEF	WJB	DRAWING RELEASED	34026-2			

UNLESS OTHERWISE SPECIFIED,
DIMENSIONAL TOLERANCES ARE:
(.X) ± (.XXX) ±
(.XX) ± .05 (1.3) ANGLES: △B

UNLESS OTHERWISE SPECIFIED,
ALL DIMENSIONS ARE GIVEN
IN INCHES, THIRD ANGLE PROJECTION.

DRAWN BY
CEF
DATE
1-8-86
CHK'D
WJB

MAT'L:
FLEXIBLE VINYL

SCALE FULL
DRAWING NO. 34026-2
Dwg SIZE A