

SACC-E-M12FS-5PL-M20 - Panel feed-through



1139805

<https://www.phoenixcontact.com/pc/products/1139805>

Please be informed that the data shown in this PDF document is generated from our online catalog. Please find the complete data in the user documentation. Our general terms of use for downloads are valid.



Panel feed-through, Universal, 5-position, unshielded, Socket straight M12, A, Front mounting, M20 x 1,5, Push-lock connection, knurl material: Brass, nickel-plated, Flat nut included

Your advantages

- Easy and tool-free connection with Push-Lock connection
- Easy assignment of individual conductors with color coding and numerical marking of contact holder levers
- Conveniently connect stranded conductors, thanks to lever
- Reliable and quick connection of electric cables

Commercial data

Item number	1139805
Packing unit	1 pc
Minimum order quantity	1 pc
Product key	BF2CEA
GTIN	4063151222444
Weight per piece (including packing)	31 g
Weight per piece (excluding packing)	22.22 g
Customs tariff number	85366990
Country of origin	DE

SACC-E-M12FS-5PL-M20 - Panel feed-through



1139805

<https://www.phoenixcontact.com/pc/products/1139805>

Technical data

Notes

General	NOTE: Observe the permissible bending radii when laying conductors, since the degree of protection may be put in jeopardy if the bending forces are too high. Alleviate mechanical loads upstream of the connector, e.g. by using cable ties.
General	The electrical and mechanical data specified assume that the connector pair is correctly locked and mounted. If the connector is unlocked and if there is a danger of contamination, the connector must be sealed using a protective cap > IP54. Influences arising from litz wires, cables or PCB assembly must also be taken into consideration.

Mounting

Mounting type	Front mounting M20 x 1,5
Assembly instructions	The wires can be connected both with ferrules and without ferrules
Connection method	Push-lock connection

Product properties

Product type	Circular connectors (device side)
Sensor type	Universal
Number of positions	5
No. of cable outlets	1
Shielded	no
Coding	A
Cable outlet	straight

Insulation characteristics

Overvoltage category	II
Degree of pollution	3

Dimensions

Dimensional drawing	
Length	19.2 mm

Housing

Diameter housing	29 mm
------------------	-------

SACC-E-M12FS-5PL-M20 - Panel feed-through



1139805

<https://www.phoenixcontact.com/pc/products/1139805>

Material specifications

Material	PA 6
Flammability rating according to UL 94	V0
Seal material	NBR
Contact material	CuSn
Contact surface material	Ni/Au
Contact carrier material	PA 6.6
Material for screw connection	Brass, nickel-plated

Electrical properties

Rated surge voltage	1.5 kV
Contact resistance	$\leq 5 \text{ m}\Omega$
Insulation resistance	$\geq 100 \text{ M}\Omega$
Nominal voltage U_N	48 V AC
	60 V DC
Nominal current I_N	4 A (2 A when using 0.14 mm ² conductors)

Connection data

Conductor connection

Connection method	Push-lock connection
Contact connection type	Socket
Conductor cross section flexible	0.14 mm ² ... 0.75 mm ²
Cross section AWG	26 ... 18
Tightening torque	0.4 Nm

Mechanical properties

Mechanical data

Insertion/withdrawal cycles	≥ 100
-----------------------------	------------

Connector

Connection 1

Head design	Socket
Head cable outlet	straight
Head thread type	M12
Coding	A

Cable/line

Signal type/category	Universal
Stripping length of the individual wire	7 mm

Environmental and real-life conditions

Ambient conditions

SACC-E-M12FS-5PL-M20 - Panel feed-through



1139805

<https://www.phoenixcontact.com/pc/products/1139805>

Degree of protection	IP67
Ambient temperature (operation)	-40 °C ... 85 °C (Plug / socket)

Standards and regulations

M12

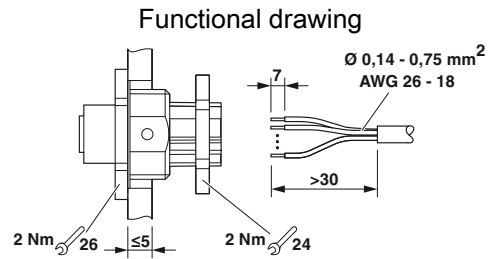
Standard designation	M12 connector
Standards/specifications	IEC 61076-2-101

SACC-E-M12FS-5PL-M20 - Panel feed-through

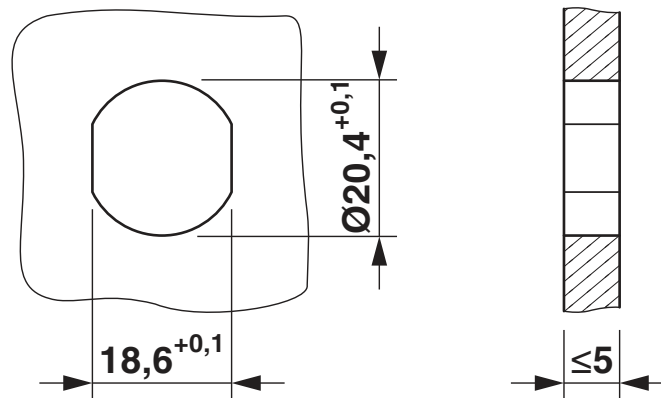
1139805

<https://www.phoenixcontact.com/pc/products/1139805>

Drawings



Drilling plan/solder pad geometry



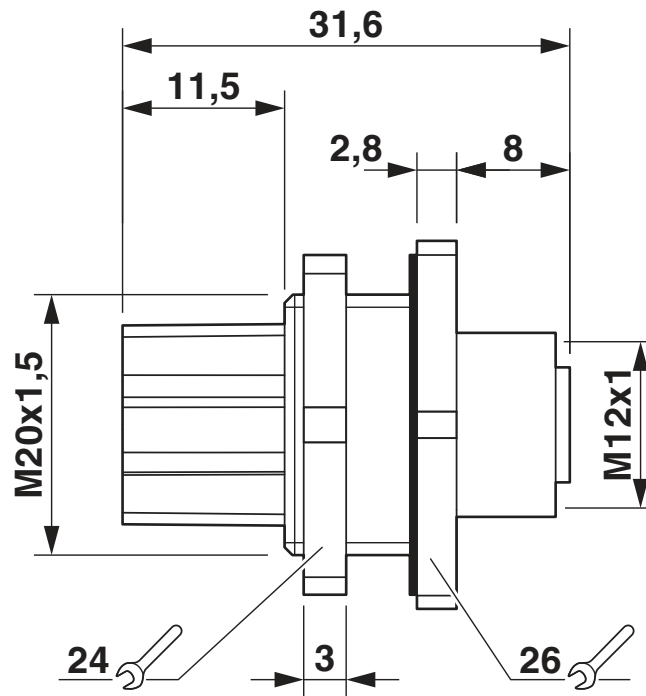
Housing cutout for M20 fastening thread, mounting panel with thread

SACC-E-M12FS-5PL-M20 - Panel feed-through

1139805

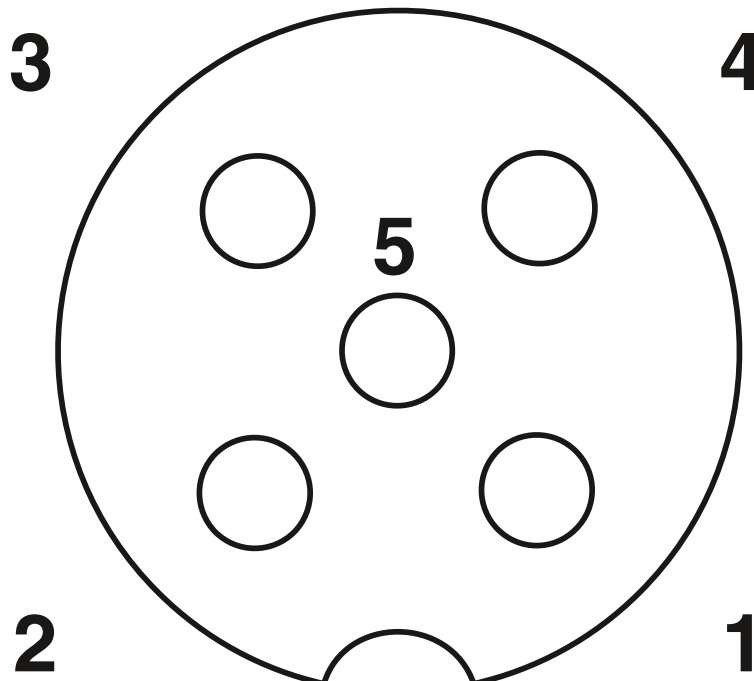
<https://www.phoenixcontact.com/pc/products/1139805>

Dimensional drawing



M12 flush-type socket

Schematic diagram



Pin assignment M12 socket, 5-pos., A-coded, socket side view

SACC-E-M12FS-5PL-M20 - Panel feed-through



1139805

<https://www.phoenixcontact.com/pc/products/1139805>

Approvals

To download certificates, visit the product detail page: <https://www.phoenixcontact.com/pc/products/1139805>



UL Listed

Approval ID: E221474



cUL Listed

Approval ID: E221474

cULus Listed

SACC-E-M12FS-5PL-M20 - Panel feed-through



1139805

<https://www.phoenixcontact.com/pc/products/1139805>

Classifications

ECLASS

ECLASS-11.0	27440109
ECLASS-12.0	27440109
ECLASS-13.0	27440109

ETIM

ETIM 8.0	EC003569
----------	----------

UNSPSC

UNSPSC 21.0	39121400
-------------	----------

SACC-E-M12FS-5PL-M20 - Panel feed-through



1139805

<https://www.phoenixcontact.com/pc/products/1139805>

Environmental product compliance

China RoHS	Environmentally friendly use period: unlimited = EFUP-e
	No hazardous substances above threshold values

SACC-E-M12FS-5PL-M20 - Panel feed-through



1139805

<https://www.phoenixcontact.com/pc/products/1139805>

Accessories

SACC-M12MS-5PL M - Connector

1424649

<https://www.phoenixcontact.com/pc/products/1424649>



Connector, Universal, 5-position, unshielded, Plug straight M12, A, Push-lock spring connection, knurl material: Zinc die-cast, nickel-plated, external cable diameter 4 mm ... 8 mm

SACC-M12MR-5PL M - Connector

1424651

<https://www.phoenixcontact.com/pc/products/1424651>



Connector, Universal, 5-position, unshielded, Plug angled M12, A, Push-lock spring connection, knurl material: Zinc die-cast, nickel-plated, external cable diameter 4 mm ... 8 mm

SACC-E-M12FS-5PL-M20 - Panel feed-through



1139805

<https://www.phoenixcontact.com/pc/products/1139805>

PROT-M12 - Screw plug

1680539

<https://www.phoenixcontact.com/pc/products/1680539>



An M12 screw plug for the unoccupied M12 sockets of the sensor/actuator cable, boxes and flush-type connectors

PROT-M12 SH - Screw plug

1503302

<https://www.phoenixcontact.com/pc/products/1503302>



An M12 screw plug for the unoccupied M12 sockets of the shielded sensor/actuator cable, boxes and flush-type connectors

SACC-E-M12FS-5PL-M20 - Panel feed-through

1139805

<https://www.phoenixcontact.com/pc/products/1139805>



SAC-5P-100,0-PUR/0,34 - Cable reel

1501676

<https://www.phoenixcontact.com/pc/products/1501676>



By the meter, Cable reel, PUR halogen-free, black-gray RAL 7021, 5-wire, color single wire: brown, white, blue, black, green-yellow, cable length: 100 m

AI 0,25- 6 YE - Ferrule

3203024

<https://www.phoenixcontact.com/pc/products/3203024>



Ferrule, sleeve length: 6 mm, length: 10.5 mm, color: yellow

SACC-E-M12FS-5PL-M20 - Panel feed-through

1139805

<https://www.phoenixcontact.com/pc/products/1139805>

A 0,25- 7 - Ferrule

3202478

<https://www.phoenixcontact.com/pc/products/3202478>



Ferrule, length: 7 mm, color: silver

A 0,34- 7 - Ferrule

3009202

<https://www.phoenixcontact.com/pc/products/3009202>



Ferrule, length: 7 mm, color: silver

SACC-E-M12FS-5PL-M20 - Panel feed-through



1139805

<https://www.phoenixcontact.com/pc/products/1139805>

A 0,5 - 6 - Ferrule

3200218

<https://www.phoenixcontact.com/pc/products/3200218>



Ferrule, length: 6 mm, color: silver

AI 0,5 - 6 WH - Ferrule

3200687

<https://www.phoenixcontact.com/pc/products/3200687>



Ferrule, sleeve length: 6 mm, length: 12 mm, color: white

SACC-E-M12FS-5PL-M20 - Panel feed-through

1139805

<https://www.phoenixcontact.com/pc/products/1139805>

WIREFOX 2,5 - Stripping tool

1212368

<https://www.phoenixcontact.com/pc/products/1212368>



Stripping tool, for conductors and cables with a conductor cross section from 0.08 to 2.5 mm, self-adjusting, stripping length adjustable up to 15 mm, cutting capacity up to 6 mm² stranded/1.5 mm² solid

WIREFOX SAC - Stripping tool

1212623

<https://www.phoenixcontact.com/pc/products/1212623>



Stripping pliers, for halogen-free sensor/actuator cables (SAC cables), with PUR and PVC insulation, from Ø of 4.4 to 7 mm, any stripping length

SACC-E-M12FS-5PL-M20 - Panel feed-through



1139805

<https://www.phoenixcontact.com/pc/products/1139805>

CRIMPFOX 6H - Crimping pliers

1212046

<https://www.phoenixcontact.com/pc/products/1212046>



Crimping pliers, for ferrules without insulating collar according to DIN 46228 Part 1 and ferrules with insulating collar according to DIN 46228 Part 4, 0.14 mm² ... 6 mm², unlockable pressure lock, lateral entry

Phoenix Contact 2023 © - all rights reserved

<https://www.phoenixcontact.com>

PHOENIX CONTACT GmbH & Co. KG

Flachsmarktstraße 8

D-32825 Blomberg

+49 (0) 5235-3 00

info@phoenixcontact.com