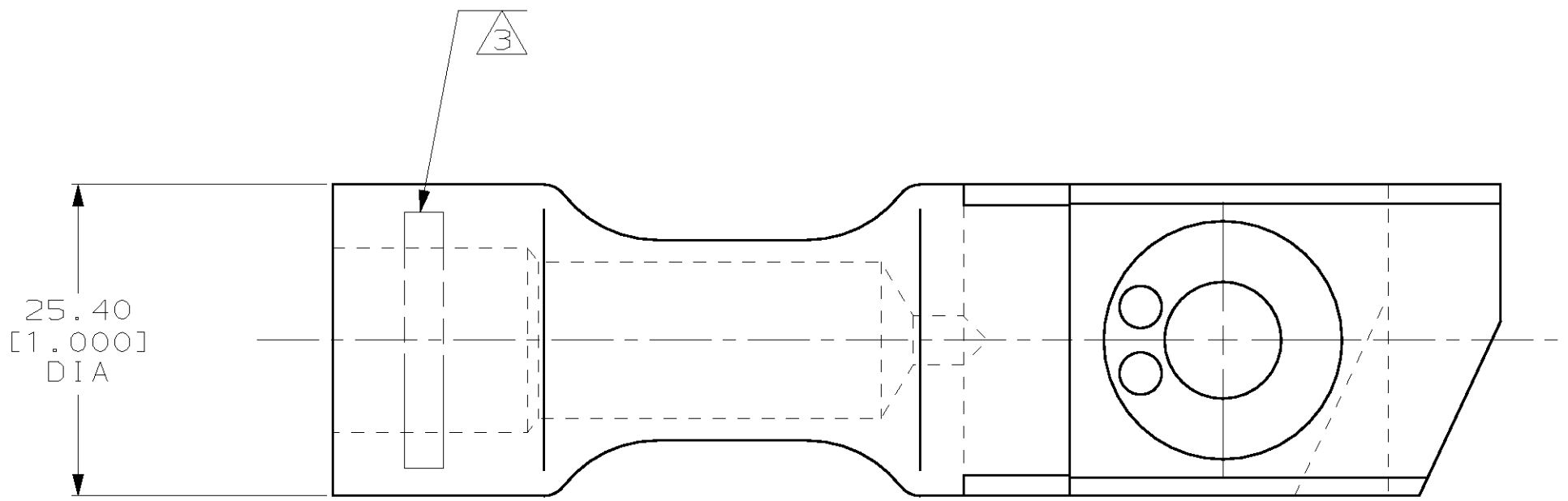
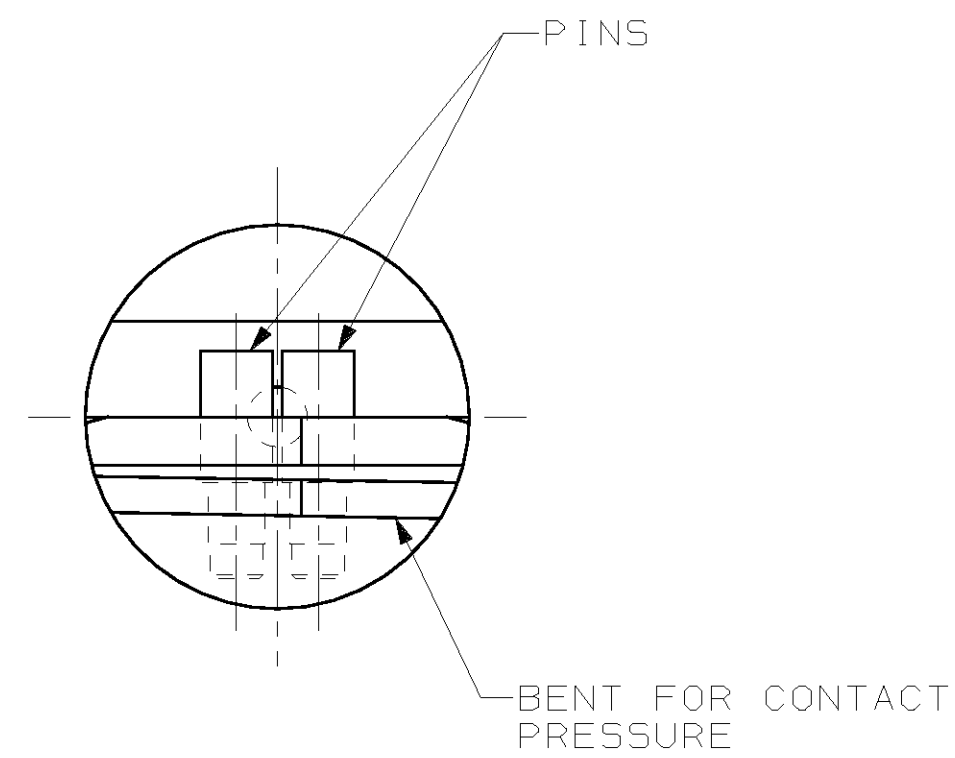
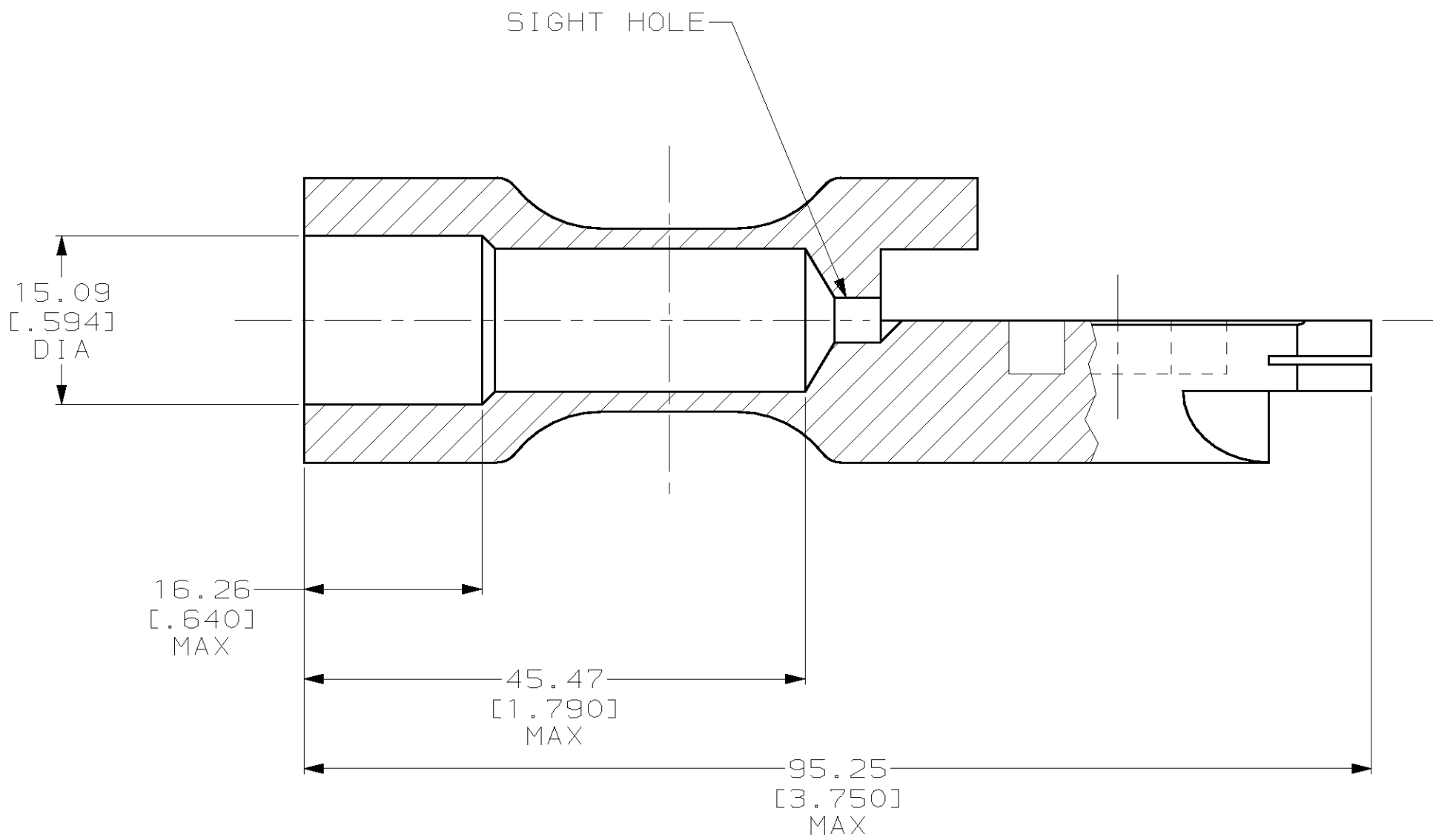


THIS DRAWING IS UNPUBLISHED. RELEASED FOR PUBLICATION
 (C) COPYRIGHT 19 BY AMP INCORPORATED. ALL RIGHTS RESERVED.

LOC	DIST	REVISIONS					
		P	LTR	DESCRIPTION	DATE	DWN	APVD
G	86	A		REVISED PER 0G10-0028-98	18FEB98	DKS	SJU



- ① BODY AND PINS: BRASS PER QQ-B-626
- ② SILVER PL 0.00762[.000300] MIN THK PER QQ-S-365
- ③ STAMP AEG 7077D80G13 1/0 A33 LOCATED IN AREA APPROX AS SHOWN



696036-1
AMP
PART NUMBER

THIS DRAWING IS A CONTROLLED DOCUMENT.		DWN	DK SCHRUM	23JAN98	AMP Incorporated Harrisburg, PA 17105-3608			
DIMENSIONS: mm [INCHES]		CHK	SJ UNGER	26JAN98				
TOLERANCES UNLESS OTHERWISE SPECIFIED:		APVD	TJ MICHELUTTI	26JAN98				
0 PLC ±- 1 PLC ±- 2 PLC ±0.20(.008) 3 PLC ±- 4 PLC ±- ANGLES ±-		NAME	TERMINAL ASSY, QUICK-DISCONNECT, AMPPOWER™, WIRE SIZE: 1/0 AWG					
MATERIAL	FINISH	PRODUCT SPEC	108-13014		SIZE	CAGE CODE	DRAWING NO	RESTRICTED TO
①	②	WEIGHT	-		A2	00779	C- 696036	-
CUSTOMER DRAWING		SCALE	2:1		SHEET	1 OF 1		REV A

696036

B

A