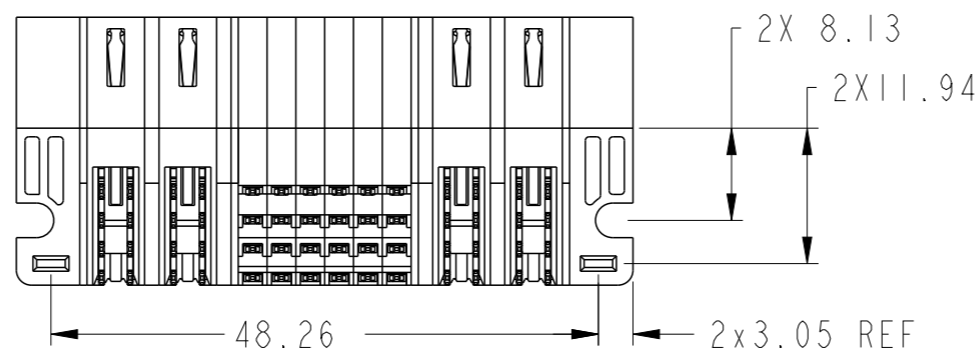
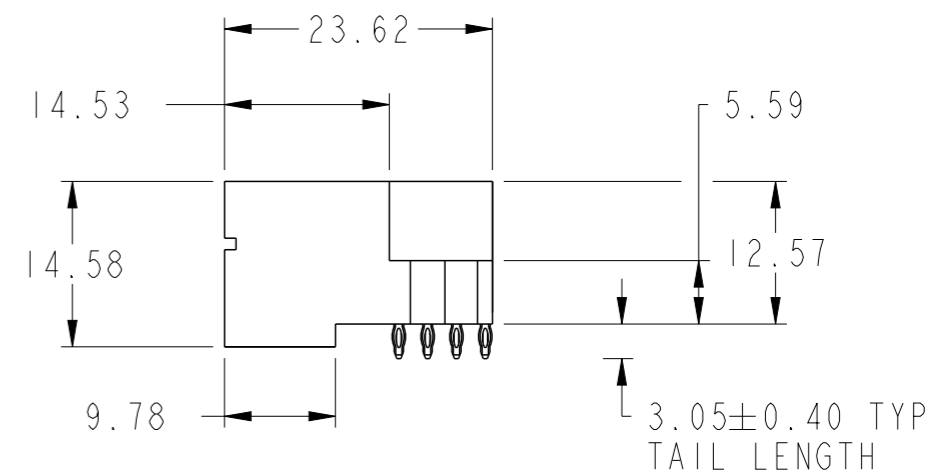
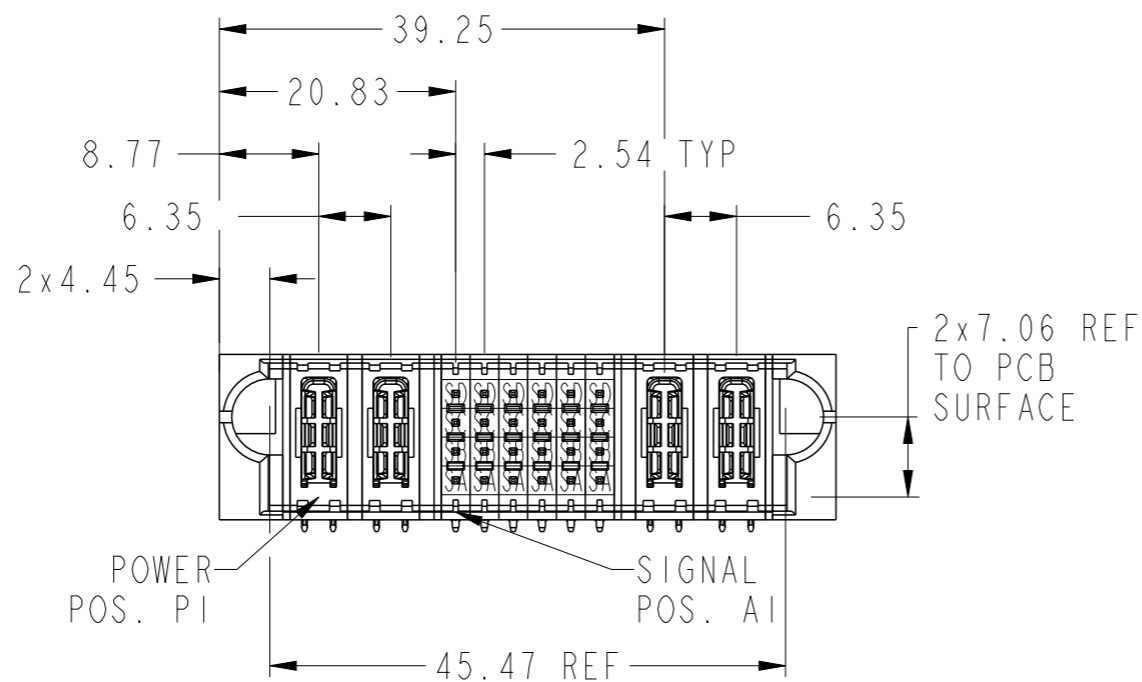
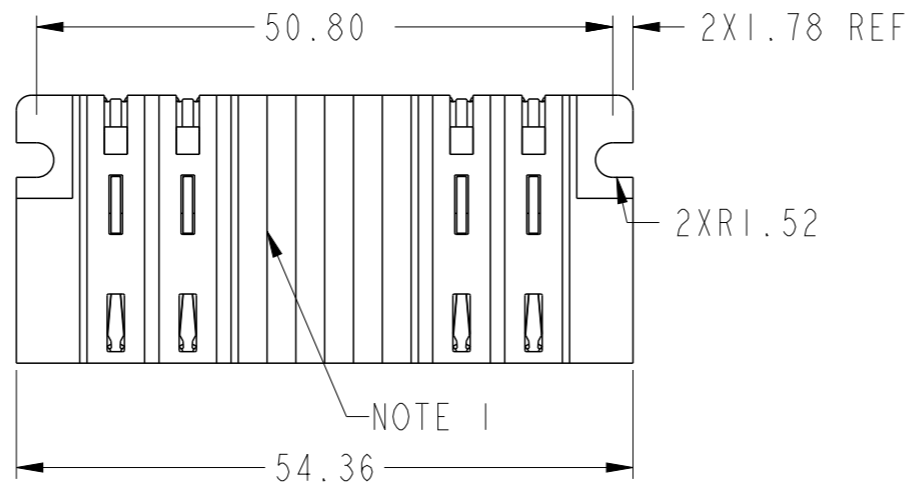
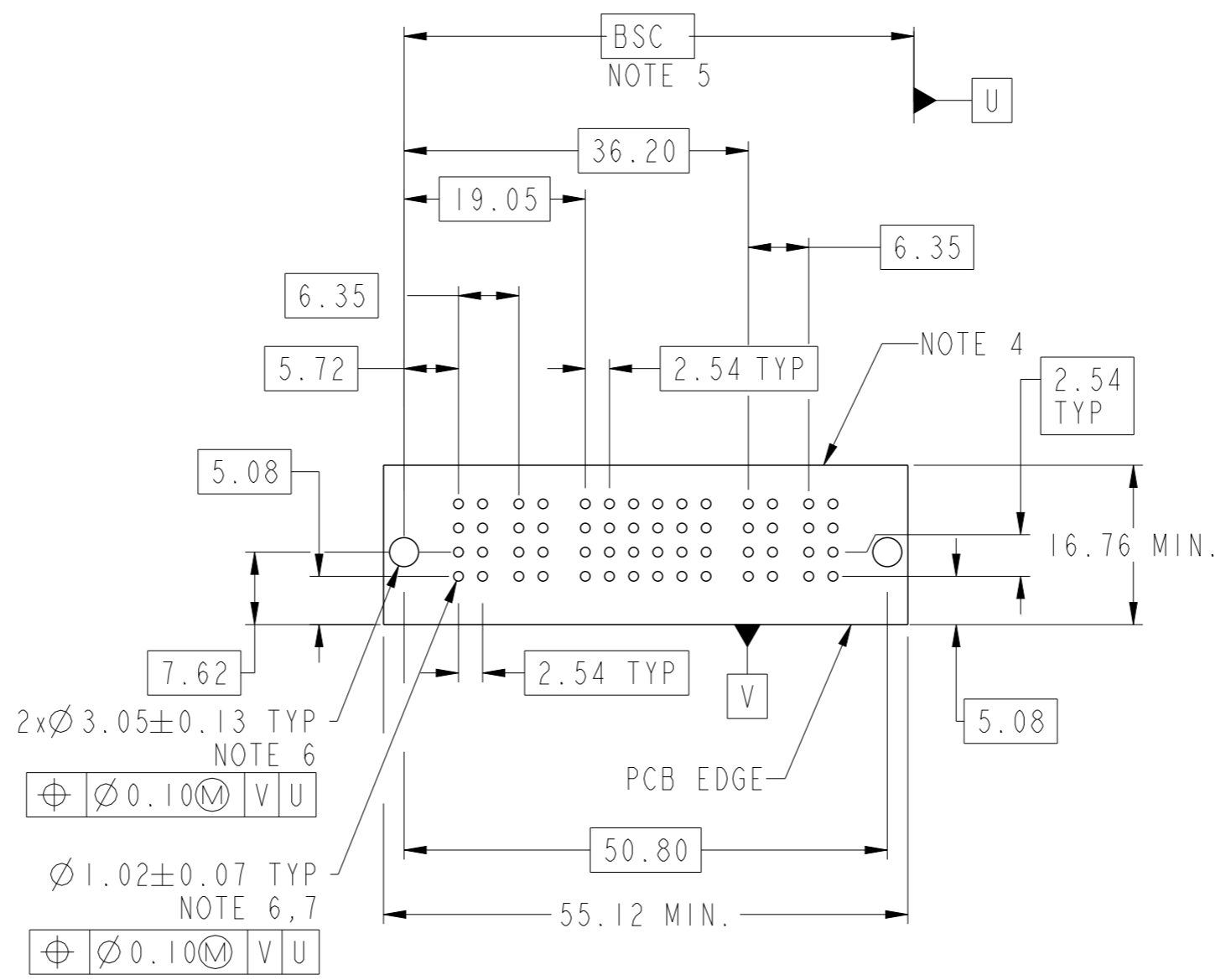


PRODUCT NUMBER SEE SHEET 2



spec ref	*	dr	Vicking Liu	2015/10/29	projection	MM	size	A3	scale	3:2	
tolerance std	ASME Y14.5	eng	Vicking Liu	2015/12/25			ecn no	-			
TOLERANCES UNLESS OTHERWISE SPECIFIED		chr	Fancy Zhang	2015/12/25			product family	PwrBlade+	rel level	Released	
surface	linear	appr	Pei-Ming Zheng	2015/12/25			dwg no	10106125-4006004		rev	A
ASME Y14.5	angular	www.fci.com		cat. no.	Product - Customer Drw			sheet 1 of 3			

PRODUCT NO.	ROWS	HIGH POWER			SIGNAL						HIGH POWER		
		E1	P1	P2	1	2	3	4	5	6	P3	P4	E2
10106125-4006004LF	DCBA	HE	HE	SA	SB	SC	SD	SD	SC	SB	SA	HE	HE



CODE	DESCRIPTION
HE	STD HIGH POWER CONTACT (3.05)
SA	STD SIGNAL CONTACT, ROW A (3.05)
SB	STD SIGNAL CONTACT, ROW B (3.05)
SC	STD SIGNAL CONTACT, ROW C (3.05)
SD	STD SIGNAL CONTACT, ROW D (3.05)

dr	Vicking Liu	2015/10/29	projection	MM	size	A3	scale	3:2
eng	Vicking Liu	2015/12/25			ecn no		-	
chr	Fancy Zhang	2015/12/25			rel level		Released	
appr	Pei-Ming Zheng	2015/12/25	product family		PwrBlade+			
			2HP + 24S + 2HP			dwg no		10106125-4006004
www.fci.com			RA PF HEADER			rev		A
cat. no.			Product - Customer Drw			sheet 2 of 3		

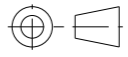
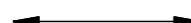

Copyright FCI.

NOTES:

- 1) "FCI", PART NUMBER AND DATE CODE TO BE MARKED ON THIS SURFACE.
THE MARK CAN BE OMITTED IF THERE IS NOT ENOUGH SPACE ON THIS SURFACE.
- 2) MATERIALS:
-HOUSING - GLASS FILLED WITH HIGH TEMP THERMOPLASTIC, UL94V-0.
-SIGNAL CONTACT - COPPER ALLOY.
-POWER CONTACT - HIGH CONDUCTIVITY COPPER ALLOY.
- 3) PLATING SPECIFICATION: 10116351
- 4) DENOTES CONNECTOR KEEP OUT ZONE.
- 5) DATUM AND BASIC DIMENSIONS ARE ESTABLISHED BY CUSTOMER.
- 6) ALL HOLE DIAMETERS ARE FINISHED HOLE SIZES.
- 7) 1.15 ±0.025MM DRILLED HOLE PLATED WITH 0.00762MM MIN Sn
OVER 0.0254-0.0762MM Cu PLATING TO ACHIEVE A 1.02 ±0.07MM HOLE.
- 8) PRODUCT SPECIFICATION: GS-12-658.
APPLICATION SPECIFICATION: GS-20-141.
PRODUCT PACKAGED IN TRAYS: GS-14-1502.



Copyright FCI.

dr	Vicking Liu	2015/10/29	projection 	MM 	size	A3	scale	3:2
eng	Vicking Liu	2015/12/25			ecn no	-		
chr	Fancy Zhang	2015/12/25			product family	PwrBlade+	rel level	Released
appr	Pei-Ming Zheng	2015/12/25			title 2HP + 24S + 2HP RA PF HEADER	dwg no 10106125-4006004	rev A	
www.fci.com			cat. no.	Product - Customer Drw		sheet 3 of 3		