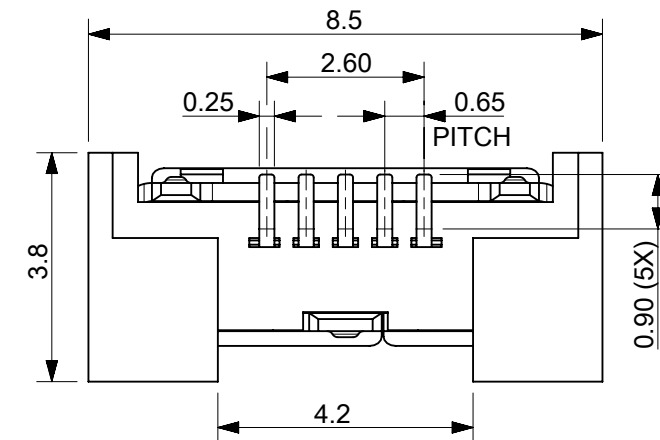
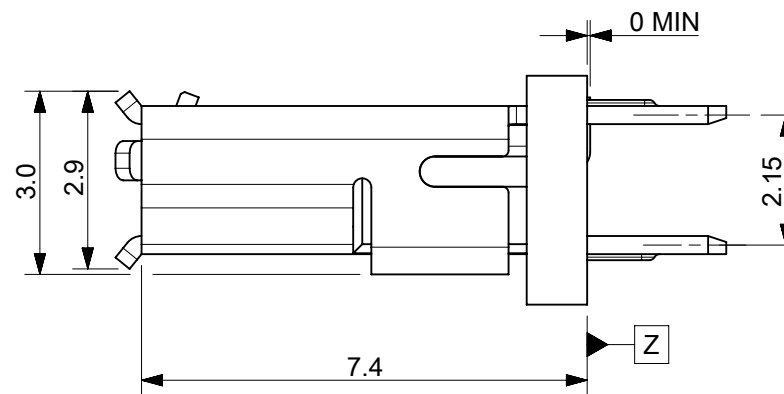
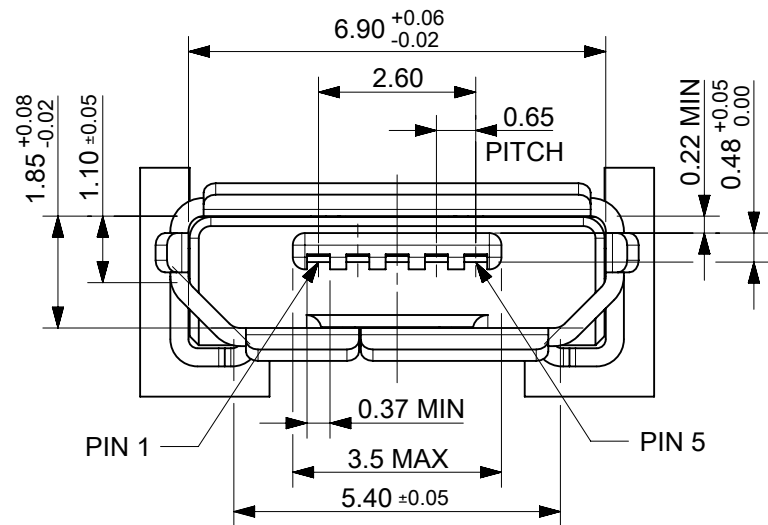


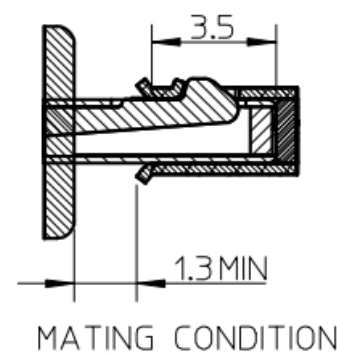
RECOMMENDED PCB LAYOUT (THICKNESS: 1.6mm)
GENERAL TOLERANCE: ±0.05



PIN	NAME
5	GND
4	ID
3	D+
2	D-
1	VBUS

PART NUMBER 105133-0021

- NOTES:
- MATERIAL:
HOUSING & COVER: HIGH TEMPERATURE THERMOPLASTIC, BLACK, UL94V-0;
TERMINAL: COPPER ALLOY, THICKNESS: 0.15mm;
SHELL: STAINLESS STEEL, THICKNESS: 0.30mm.
 - PLATING:
TERMINAL: CONTACT AREA: MINIMUM 0.75 MICRON GOLD;
SOLDER TAIL AREA: GOLD FLASH;
UNDER PLATING: NICKEL 2.0 MICRON MINIMUM.
SHELL: 1.27 MICRON MINIMUM SOLDERABLE NICKEL PLATING OVER ALL.
 - TAIL COPLANARITY 0.08mm MAXIMUM.
 - PRODUCT SPECIFICATION: PS-47642-001.
 - PACKAGE SPECIFICATION: PK-105133-002.



THIS DRAWING CONTAINS INFORMATION THAT IS PROPRIETARY TO MOLEX ELECTRONIC TECHNOLOGIES, LLC AND SHOULD NOT BE USED WITHOUT WRITTEN PERMISSION												
DIMENSION UNITS	SCALE	CURRENT REV DESC:										
mm	NTS	EC NO: 678130										
GENERAL TOLERANCES (UNLESS SPECIFIED)		DRWN: XQZHANG		2021/10/28		<div style="text-align: center;">molex</div> SALES DRAWING FOR USB MICRO-B, VERTICAL TYPE						
ANGULAR TOL ± 3.0°		CHKD: AYIN		2022/06/08								
4 PLACES ±	APPR: AYIN		2022/06/08		PRODUCT CUSTOMER DRAWING							
3 PLACES ±	INITIAL REVISION:		DRWN: XQZHANG			2013/04/03		DOCUMENT NUMBER		DOC TYPE	DOC PART	REVISION
2 PLACES ± 0.2	DRWN: XQZHANG		2013/09/06		SD-105133-021			PSD	001	C		
1 PLACE ± 0.25	APPR: XQZHANG		2013/09/06		MATERIAL NUMBER		CUSTOMER		SHEET NUMBER			
0 PLACES ±	DRAFT WHERE APPLICABLE MUST REMAIN WITHIN DIMENSIONS		THIRD ANGLE PROJECTION		DRAWING	SERIES	SEE TABLE	GENERAL MARKET	1 OF 1			