

1-2112231-1 ✓ ACTIVE

AMP | LEAVYSEAL

TE Internal #: 1-2112231-1

Housing for Female Terminals, Wire-to-Board / Wire-to-Device, 46
Position, .157 in [4 mm] Centerline, Sealable, Black, Signal,
LEAVYSEAL

[View on TE.com >](#)



[Connectors](#) > [Automotive Connectors](#) > [Automotive Housings](#) > [LEAVYSEAL Housings](#)



Connector & Housing Type: **Housing for Female Terminals**

Mating Tab Width: **1.6 mm [.063 in]**

Connector System: **Wire-to-Board, Wire-to-Device**

Number of Positions: **46**

Centerline (Pitch): **4 mm [.157 in]**

[All LEAVYSEAL Housings \(64\)](#)

Features

Product Type Features

Connector Shape	Rectangular
Connector & Housing Type	Housing for Female Terminals
Connector System	Wire-to-Board, Wire-to-Device
Sealable	Yes
Hybrid Connector	No
Primary Locking Feature	On the Terminal

Configuration Features

Number of Positions	46
Number of Rows	3

Electrical Characteristics

Operating Voltage	90 VDC
Nominal Voltage Architecture	12 V, 24 V, 42 V, 48 V, 80 V, 90 V

Body Features

Cable Exit Angle	90°
Primary Product Color	Black
Connector & Keying Code	A



Contact Features

Contact Size	1.5K
Contact Type	Receptacle
Mating Tab Width	1.6 mm[.063 in]
Contact Current Rating (Max)	20 A

Mechanical Attachment

Terminal Position Assurance	Yes
Strain Relief	With
Mating Alignment Type	Keyed
Mating Alignment	With
Connector Mounting Type	Cable Mount (Free-Hanging)

Housing Features

Housing Material	PBT GF
Centerline (Pitch)	4 mm[.157 in]

Dimensions

Connector Height	36.4 mm[1.433 in]
Product Width	43.5 mm[1.713 in]
Product Length	104 mm[4.095 in]
Row-to-Row Spacing	6 mm[.236 in]

Usage Conditions

Operating Temperature (Max)	70 °C, 75 °C, 80 °C, 85 °C, 90 °C, 100 °C, 105 °C, 110 °C, 120 °C[158 °F][167 °F][176 °F][185 °F][194 °F][212 °F][221 °F][230 °F][248 °F]
Operating Temperature Range	-40 – 120 °C[-40 – 248 °F]

Operation/Application

Circuit Application	Signal
---------------------	--------

Industry Standards

Degree of Protection	IP67
UL Flammability Rating	UL 94HB

Packaging Features

Packaging Quantity	159
Packaging Method	Box

Other

Serviceable	Yes
Connector Position Assurance Capable	No

Product Compliance

[For compliance documentation, visit the product page on TE.com>](#)

EU RoHS Directive 2011/65/EU	Compliant
EU ELV Directive 2000/53/EC	Compliant
China RoHS 2 Directive MIIT Order No 32, 2016	No Restricted Materials Above Threshold
EU REACH Regulation (EC) No. 1907/2006	Current ECHA Candidate List: JUNE 2023 (235) Candidate List Declared Against: JAN 2023 (233) Does not contain REACH SVHC
Halogen Content	Low Halogen - Br, Cl, F, I < 900 ppm per homogenous material. Also BFR/CFR/PVC Free
Solder Process Capability	Not applicable for solder process capability

Product Compliance Disclaimer

This information is provided based on reasonable inquiry of our suppliers and represents our current actual knowledge based on the information they provided. This information is subject to change. The part numbers that TE has identified as EU RoHS compliant have a maximum concentration of 0.1% by weight in homogenous materials for lead, hexavalent chromium, mercury, PBB, PBDE, DBP, BBP, DEHP, DIBP, and 0.01% for cadmium, or qualify for an exemption to these limits as defined in the Annexes of Directive 2011/65/EU (RoHS2). Finished electrical and electronic equipment products will be CE marked as required by Directive 2011/65/EU. Components may not be CE marked. Additionally, the part numbers that TE has identified as EU ELV compliant have a maximum concentration of 0.1% by weight in homogenous materials for lead, hexavalent chromium, and mercury, and 0.01% for cadmium, or qualify for an exemption to these limits as defined in the Annexes of Directive 2000/53/EC (ELV). Regarding the REACH Regulation, the information TE provides on SVHC in articles for this part number is based on the latest European Chemicals Agency (ECHA) 'Guidance on requirements for substances in articles' posted at this URL: <https://echa.europa.eu/guidance-documents/guidance-on-reach>

Compatible Parts



Also in the Series | LEAVYSEAL



Automotive Connector Caps & Covers (17)



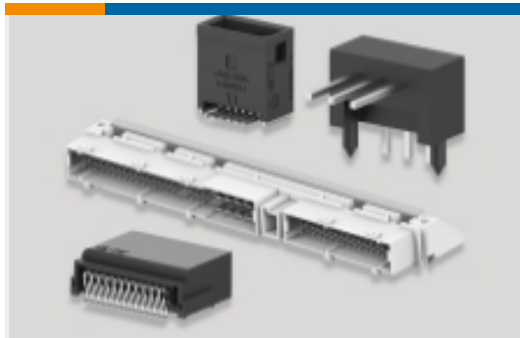
Automotive Housings(73)



Insertion & Extraction Tools(5)



Other Automotive Connector Accessories(15)



PCB Headers & Receptacles(16)

Customers Also Bought



TE Part #3336796001
RBK-ESS-CROSS-10.0-X-8MM



TE Part #1355528-2
MPQ 2.KONT-SICHNG8P



TE Part #2-130130-1
SOLIS R 16-14 M6 TAPE



TE Part #2359941-1
96POS,MCON-1.2 CB,REC HSG,ASSY



TE Part #9-2348782-1
HD MATEnet 2+6 TAB HSG ASSY,
GRP E



TE Part #CB88166002
RBK-VWS-125-NR1-X-100MM



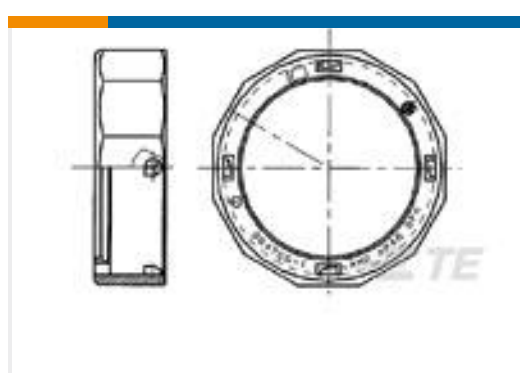
TE Part #2-2289748-0
58POS, MIXED,REC HSG,ASSY



TE Part #2359941-6
96POS,MCON-1.2 CB,REC HSG,ASSY



TE Part #2359943-2
96POS,MCON-1.2 CB,REC HSG,ASSY



TE Part #964705-1
BAJONETTRING



Documents

Product Drawings

[46POS,AMP MCP1.5K,REC HSG,ASSY](#)

English

CAD Files

Customer View Model

[ENG_CVM_CVM_1-2112231-1_B.2d_dxf.zip](#)

English

3D PDF

3D

Customer View Model

[ENG_CVM_CVM_1-2112231-1_B.3d_igs.zip](#)

English

Customer View Model

[ENG_CVM_CVM_1-2112231-1_B.3d_stp.zip](#)

English

By downloading the CAD file I accept and agree to the [Terms and Conditions](#) of use.

Datasheets & Catalog Pages

[ICT Terminals and Connectors Catalogue](#)

English

Product Specifications

[Application Specification](#)

German