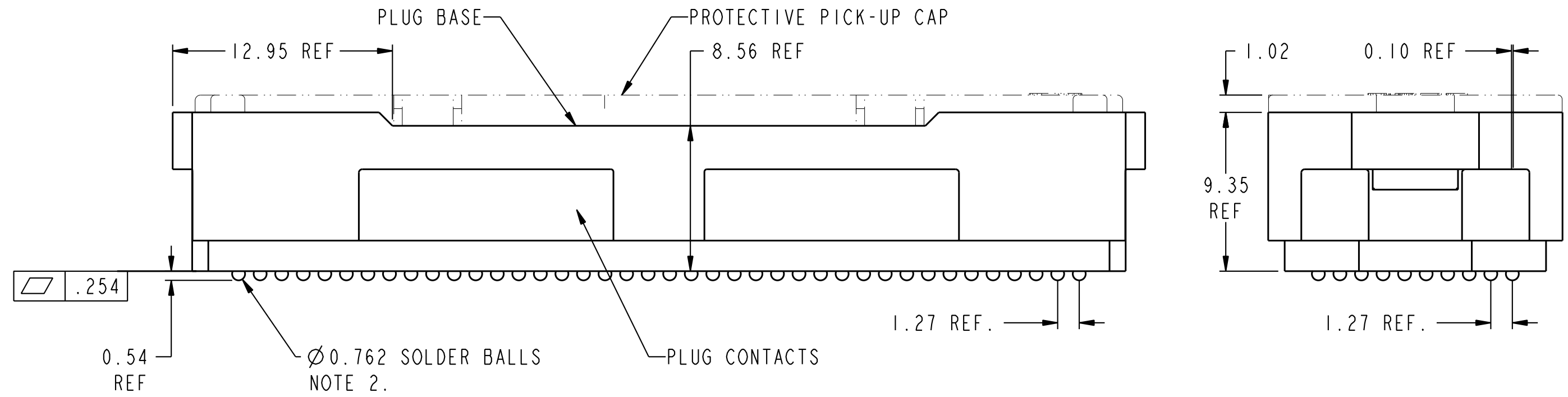
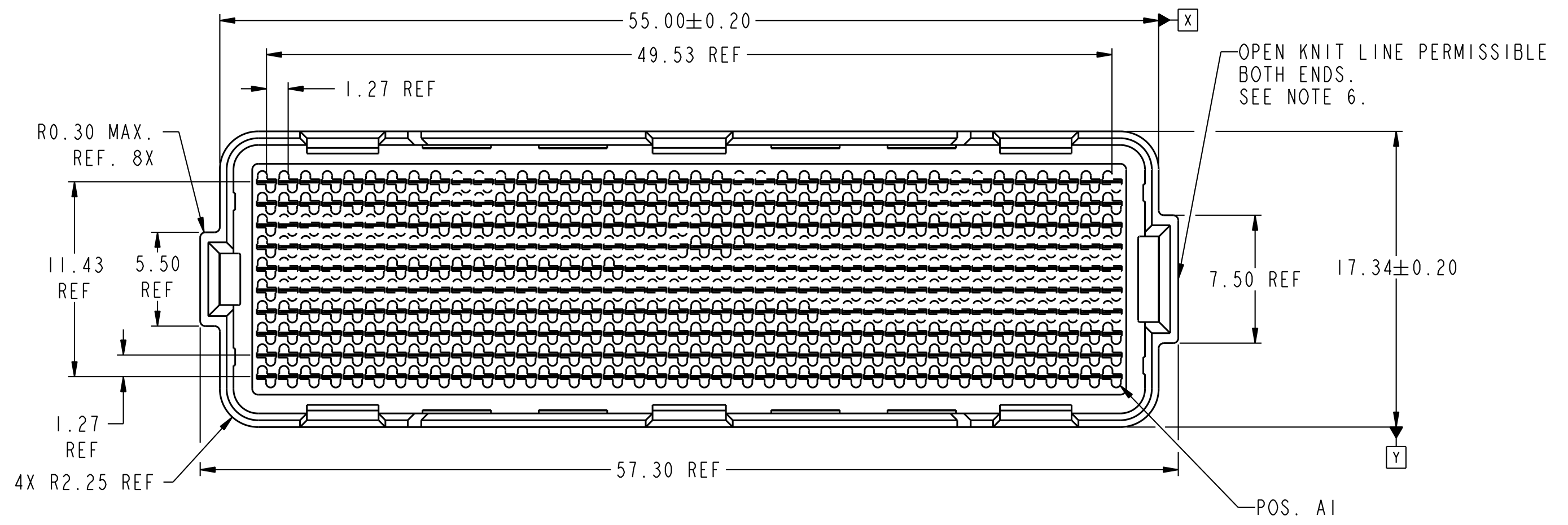


Amphenol
FCi

© 2016 AFCI



.254

Ø .30 X Y

| | | | | | | | | | | | | |
|---------------|------------|---------|----------------|------------|--|-----------|----|-----------|------------------------|--------------|----------|--|
| spec ref | - | dr | wcadmin, wcadm | 1999/08/19 | projection | | mm | size | A3 | scale | 4:1 | |
| tolerance std | ASME Y14.5 | eng | Robert Brown | 2020/08/25 | chr | - | | ecn no | ELX-V-38117-1 | rel level | Released | |
| surface | | appr | Matthew Emenhe | 2020/08/25 | product family | MEG-ARRAY | | rel level | Released | | | |
| | | linear | 0.X | ±0.3 | Amphenol FCI 6.0mm PLUG ASSEMBLY 10 X 40 = 400 POSITIONS www.fci.com | | | dwg no | 84520 | rev | J | |
| | | | 0.XX | ±0.13 | | | | cat. no. | Product - Customer Drw | sheet 1 of 5 | | |
| | | angular | 0° | ±2° | | | | | | | | |

A

B

C

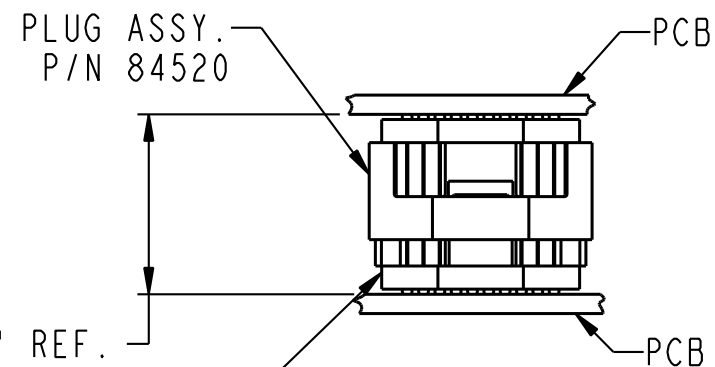
D

A

B

C

D

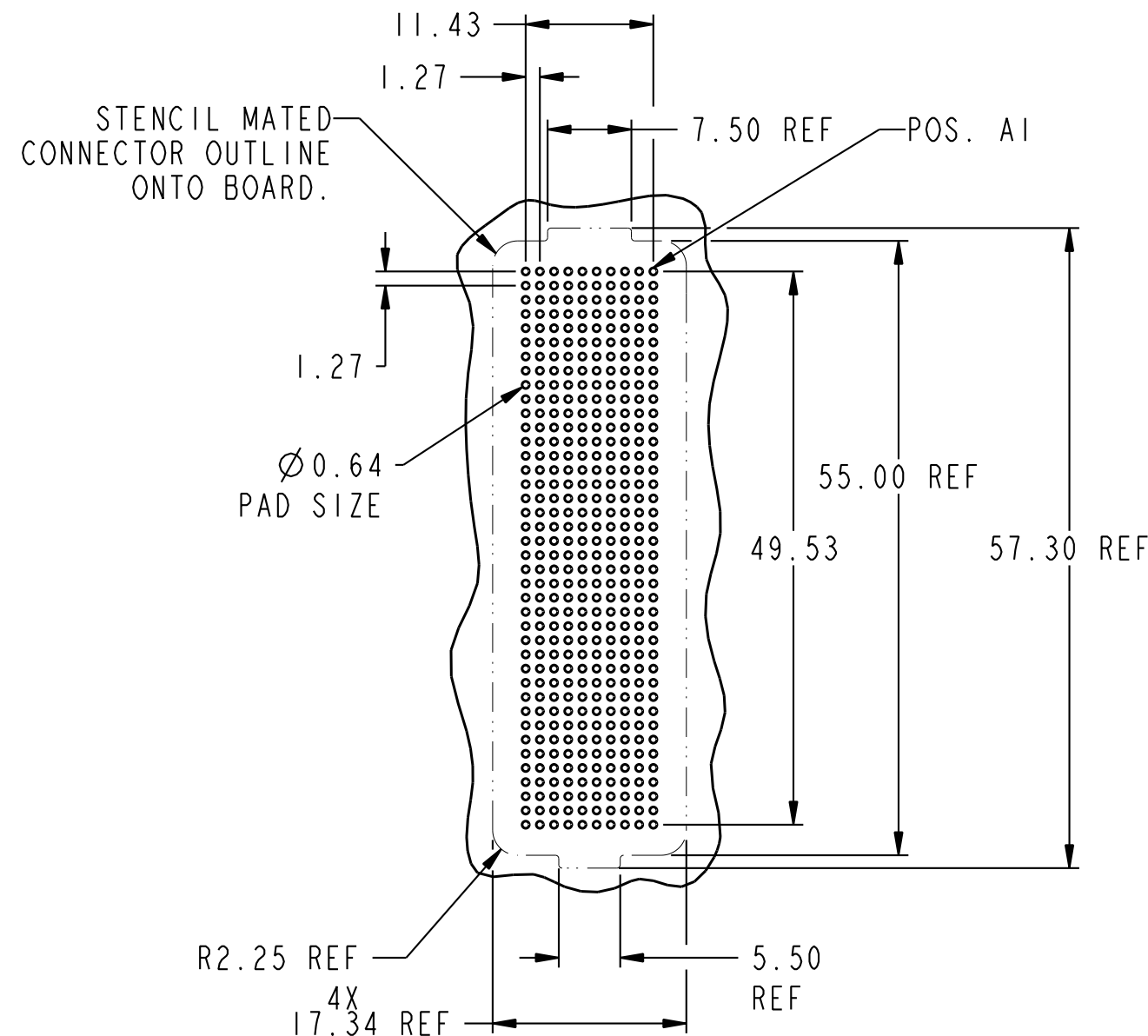


DIM "A" REF.
MATED HEIGHT
AFTER REFLOW
SEE NOTE 3.

END VIEW - MATED CONNECTORS

MATED HEIGHT AFTER REFLOW IS BASED
ON $\varnothing 0.64$ mm PAD (METAL DEFINED) AND
0.13mm SOLDER PASTE STENCIL THICKNESS.
SEE NOTE 3.

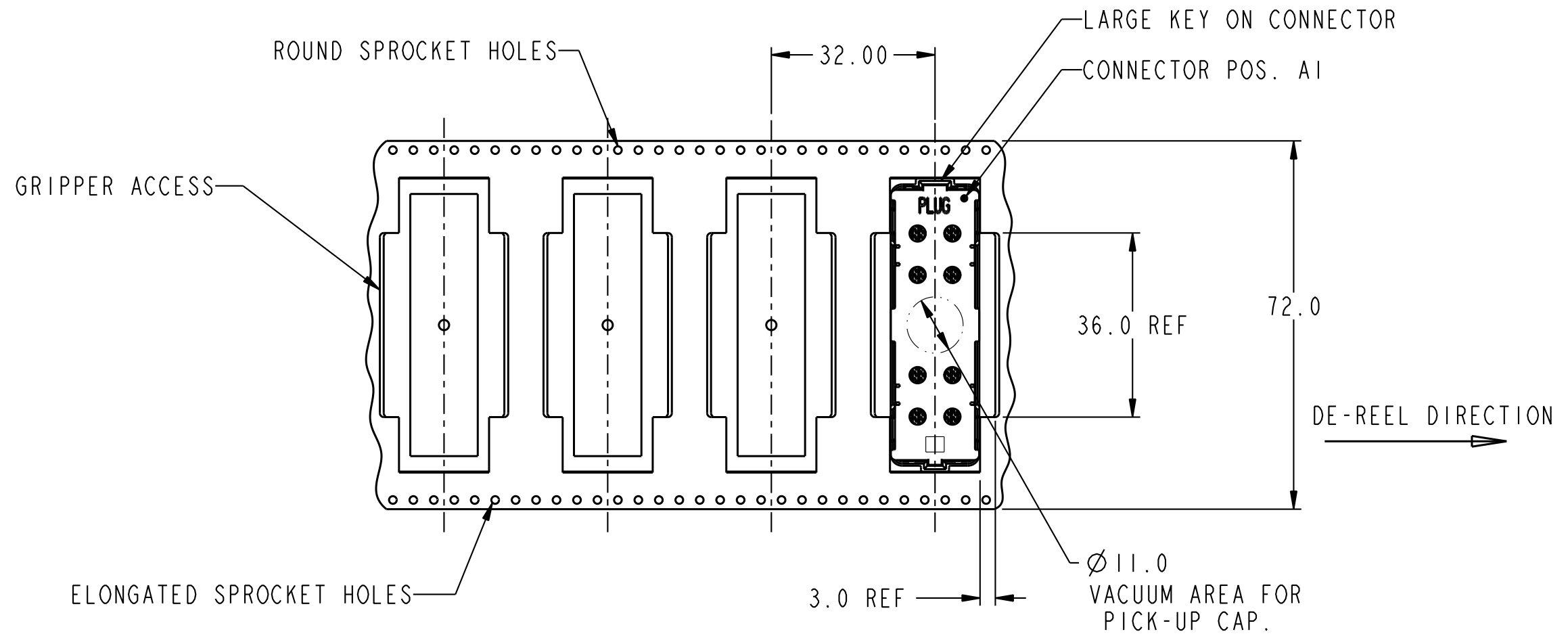
RECPT. ASSY.
(SEE TABLE BELOW)



BOARD PATTERN

| MATED HEIGHT TABLE | | |
|--------------------|------------------|--------------|
| DIM. "A" | RECPT. ASSY. P/N | -2XX PLATING |
| 10.0 | 74221 | SEE NOTE 4 |
| 12.0 | 74388 | SEE NOTE 5 |
| 14.0 | 74390 | SEE NOTE 5 |

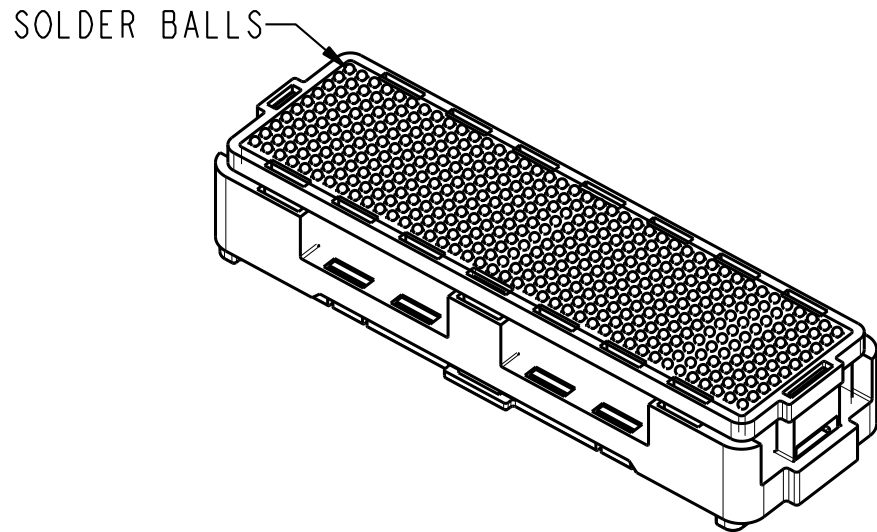
| | | | | | | | | | | |
|---------------------------------------|------------|-------------|----------------|-----------------|---|------------------------|-----------------|---------------|----------|------------------------------------|
| spec ref | - | dr | wcadmin, wcadm | 1999/08/19 | projection | mm | size | A3 | scale | 10:1 |
| tolerance std | ASME Y14.5 | eng | Robert Brown | 2020/08/25 | | | ecn no | ELX-V-38117-1 | | |
| TOLERANCES UNLESS OTHERWISE SPECIFIED | | chr | - | - | | | product family | MEG-ARRAY | | rel level |
| surface | | linear | 0.X | ± 0.3 | Amphenol FCI 6.0mm PLUG ASSEMBLY 10 X 40 = 400 POSITIONS | dwg no 84520 | rev J | ASME Y14.5 | | angular 0° $\pm 2^\circ$ |
| | | 0.XX | ± 0.13 | 0.XXX | | | | ± 0.051 | cat. no. | |
| www.fci.com | | PDS: Rev :J | | STATUS:Released | | Printed: Aug 26, 2020 | | | | |



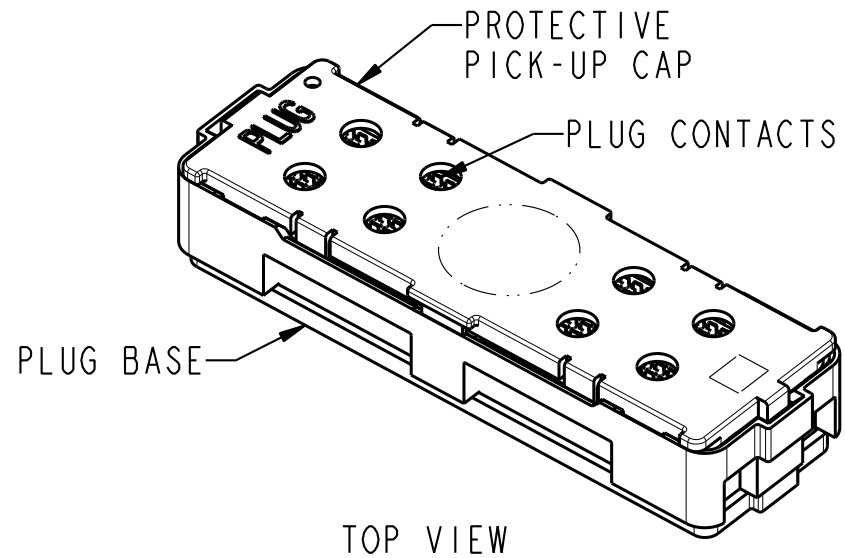
TAPE & REEL PACKAGING
PER EIA 481-3

| | | | | | | | |
|--------------------------|---------------------------------------|------------------|------------------|--------------|--------------------------|----------------------|-------------------------------------|
| spec ref - | | dr wadmin, wcadm | 1999/08/19 | projection | mm | size A3 | scale 2:1 |
| tolerance std ASME Y14.5 | TOLERANCES UNLESS OTHERWISE SPECIFIED | | eng Robert Brown | 2020/08/25 | ← → | ecn no ELX-V-38117-1 | |
| | | | chr - | | | rel level Released | |
| surface | linear | 0.X ±0.3 | 0.XX ±0.13 | 0.XXX ±0.051 | product family MEG-ARRAY | dwg no 84520 | rev J |
| ASME Y14.5 | angular | 0° | ±2° | | www.fci.com | cat. no. | Product - Customer Drw sheet 3 of 5 |

| PRODUCT NUMBER | PICK-UP CAP (NATURAL OR BLACK COLOR) | CONTACT PLATING AND THICKNESS | SOLDER BALL | NOTES |
|----------------|---|-------------------------------|-----------------|-------------|
| 84520-002 | YES | 15μ" / (.38μm) Au | SnPb | |
| 84520-002LF | YES | 15μ" / (.38μm) Au | LEAD FREE | 8 |
| 84520-092 | YES | 15μ" / (.38μm) GXT | SnPb | |
| 84520-092LF | YES | 15μ" / (.38μm) GXT | LEAD FREE | 8 |
| 84520-102 | YES | 30μ" / (.76μm) Au | SnPb | |
| 84520-102LF | YES | 30μ" / (.76μm) Au | LEAD FREE | 8 |
| 84520-192 | YES | 30μ" / (.76μm) GXT | SnPb | |
| 84520-192LF | YES | 30μ" / (.76μm) GXT | LEAD FREE | 8 |
| 84520-202 | YES | 50μ" / (1.27μm) Au SPECIAL | SnPb | 4 AND 5 |
| 84520-202LF | YES | 50μ" / (1.27μm) Au SPECIAL | LEAD FREE | 4, 5, AND 8 |
| 84520-292 | YES | 50μ" / (1.27μm) GXT SPECIAL | SnPb | 4 AND 5 |
| 84520-292LF | YES | 50μ" / (1.27μm) GXT SPECIAL | LEAD FREE | 4, 5 AND 8 |
| 84520-102LTTF | YES | 30μ" / (.76μm) Au | LOW TEMPERATURE | 8 |
| 84520-192LTTF | YES | 30μ" / (.76μm) GXT | LOW TEMPERATURE | 8 |



BOTTOM VIEW



TOP VIEW

| | | | | | | | | | | |
|---------------|---------------------------------------|------------|----------------|------------|---|-----------------|----------------|---------------|-------------|----------|
| spec ref | - | dr | wcadmin, wcadm | 1999/08/19 | projection | mm | size | A3 | scale | 17:10 |
| tolerance std | ASME Y14.5 | eng | Robert Brown | 2020/08/25 | | | ecn no | ELX-V-38117-1 | | |
| | TOLERANCES UNLESS OTHERWISE SPECIFIED | chr | - | - | | | product family | MEG-ARRAY | | |
| surface | | linear | 0.X | ±0.3 | Amphenol FCI 6.0mm PLUG ASSEMBLY 10 X 40 = 400 POSITIONS | dwg no 84520 | rev J | | | |
| | | ASME Y14.5 | angular | 0° | | | | ±2° | www.fci.com | cat. no. |

PRODUCT NUMBER

SEE TABLE

NOTES:

1. MATERIAL:
HOUSING: LCP
CONTACT: COPPER ALLOY

PLATING:
CONTACT: SEE TABLE ON SHEET 4
SOLDER BALL: SEE TABLE ON SHEET 4
EUTECTIC SnPb OR LEAD FREE
95.5Sn/4Ag/0.5Cu

2. SOLDER BALLS WILL NOT BE PERFECT SPHERICAL SHAPE DUE TO REFLOW ATTACHMENT.

3. MATED HEIGHT EFFECTED BY CUSTOMER'S PCB PAD SIZE, PLATING, SOLDER REFLOW PROFILE & SOLDER PASTE.

4. PLATING FOR INDICATED -2XX SERIES PRODUCT NUMBERS MEET THE REQUIREMENTS OF GR-1217-CORE, CENTRAL OFFICE ENVIRONMENT, (25 YEAR LIFE EXPECTANCY).

5. PLATING FOR INDICATED -2XX SERIES PART NOS. IS Au OVER Ni WITH SPECIAL CONTACT GEOMETRY TO MEETS REQUIREMENTS OF TELCORDIA GR-1217-CORE: CENTRAL OFFICE ENVIRONMENT.

6. KNIT LINE: SLIGHT VISIBLE MARKS (USUALLY A LINE) INDICATING THE DIRECTION AND MEETING POINT OF PLASTIC RESIN FLOW FRONTS TRAVELING AROUND ANY OBSTRUCTIONS TO THE RESIN FLOW VIA THE REQUIRED MOLD TOOLING.

7. FOR PROPER APPLICATION FOLLOW FCI APPLICATION SPECIFICATION GS-20-033. LEAD FREE SOLDER BALLS WILL NOT SOLDER PROPERLY IN A LEADED SOLDER PROCESS DUE TO A HIGHER REFLOW TEMPERATURE LEAD FREE PRODUCT IS THEREFORE NOT BACKWARDS COMPATIBLE WITH LEADED OR SOME SOLDERING APPLICATIONS. REFERENCE FCI APPLICATION SPECIFICATION.

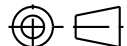


8. THIS PRODUCT MEETS EUROPEAN UNION DIRECTIVE AND OTHER COUNTRY REGULATIONS AS DESCRIBED IN GS-47-0004. PRODUCT MEETING THIS DIRECTIVE IS IDENTIFIED IN THE LOT CODE NUMBER MARKED ON EACH PART BY HAVING AN "X" IN THE SEVENTH CHARACTER POSITION.

9. 84520-302, -302LF, -402, -402LF, -502 AND -502LF ARE OBSOLETE.

11. A  SYMBOL WILL BE NEXT TO ANY DIMENSION, NEW VIEW, OR NOTE WHICH HAS BEEN MODIFIED WITH THE CURRENT DRAWING REVISION.

Amphenol
FCi

© 2016 AFCI

| | | | | | | | | | | | |
|---------------|---|------|----------------|-------------|---|---|------------------------|---------------|--------------|-----------|----------|
| spec ref | - | dr | wcadmin, wcadm | 1999/08/19 | projection | mm | size | A3 | scale | 2:1 | |
| tolerance std | ASME Y14.5 | eng | Robert Brown | 2020/08/25 |  |  | ecn no | ELX-V-38117-1 | | | |
| | TOLERANCES UNLESS OTHERWISE SPECIFIED | chr | - | - | | | product family | MEG-ARRAY | | rel level | Released |
| surface |  | appr | Matthew Emenhe | 2020/08/25 | 6.0mm PLUG ASSEMBLY | | dwg no | 84520 | | rev | J |
| ASME Y14.5 | linear | | | www.fci.com | 10 X 40 = 400 POSITIONS | | Product - Customer Drw | | sheet 5 of 5 | | |
| | angular | 0° | ±2° | cat. no. | | | | | | | |