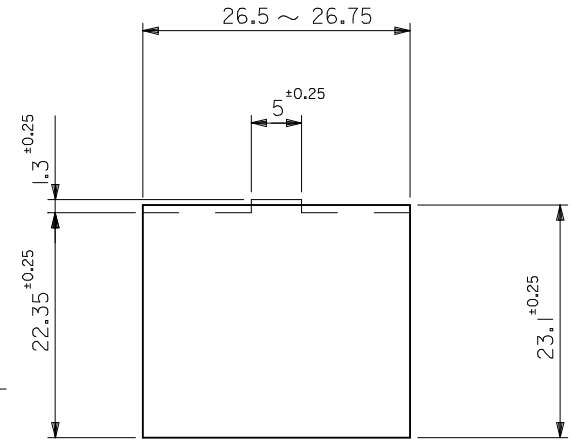
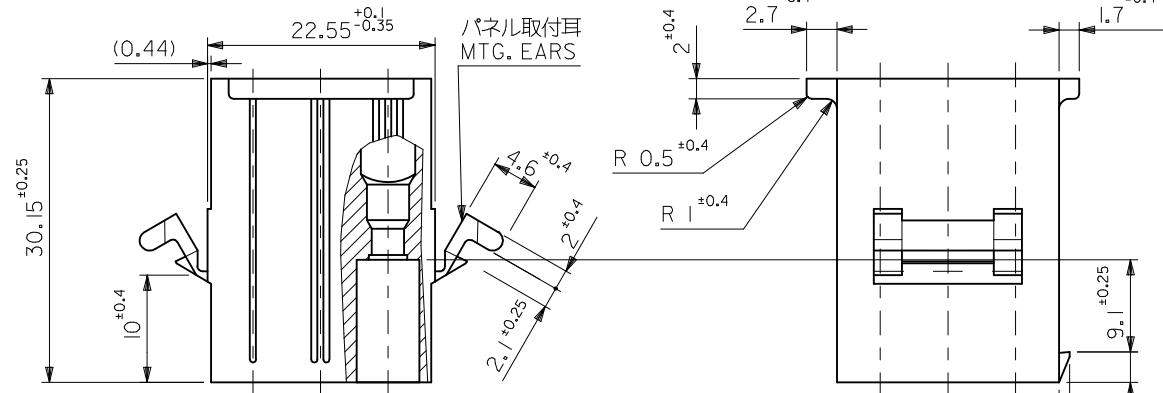


サーキット番号  
CIRCUIT NO.

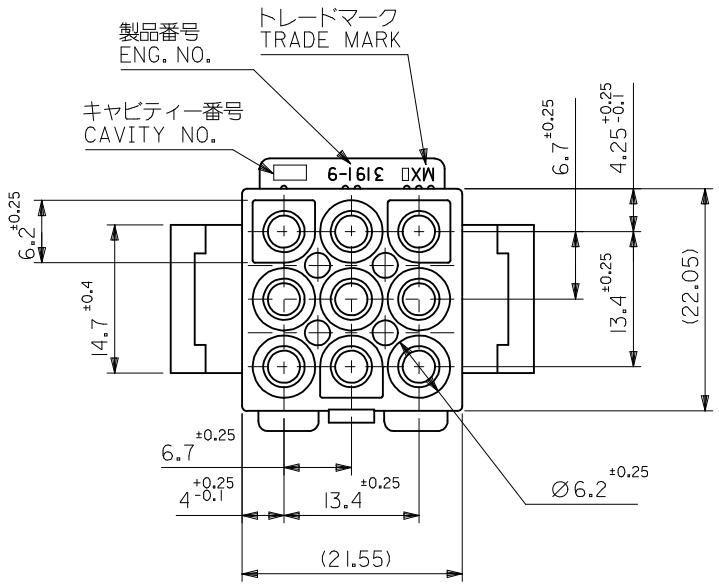


パネル取付穴推奨寸法 (厚さ 2.0 最大)  
ハウジングの装着はパネル穴打抜き方向より行うこと  
RECOMMENDED PANEL HOLE DIMENSION (THK. 2.0 MAX.)  
ATTACH THE HOUSING FROM THE DIRECTION OF  
PANEL HOLE PUNCHED OUT



パネル取付耳  
MTG. EARS

注記  
NOTE  
( ) 内寸法は参考値  
DIMENSIONS IN ( ) ARE REFERENCE



製品番号  
ENG. NO.

トレードマーク  
TRADE MARK

キャビティー番号  
CAVITY NO.

39-03-6091	3191-09P-201	NYLON66	94V-0
39-03-6090	3191-09P	NYLON66	94V-2
POLYBAG PACKAGE	モデル番号 MODEL No.	材質 MATERIAL	UL
オーダー番号 ORDER NO.			

REDRAWN EC NO: J2013-0829 DRWN:SSAT002 CHKD:KASAKAWA APPR:YOITO 2013/01/25 2013/01/31 2013/04/16	DESCRIPTION REV: O	GENERAL TOLERANCES (UNLESS SPECIFIED)	DIMENSION STYLE MM ONLY	SCALE 2:1	DESIGN UNITS METRIC	THIRD ANGLE PROJECTION
		10 UNDER ± ---	DRAWN BY SSAT002	DATE 2013/01/25	TITLE 9 CKT. PLUG HS (.093 DIA. TERMINAL)	
		10 OVER 30 UNDER ± ---	CHECKED BY KASAKAWA	DATE 2013/01/31		
		30 OVER ± ---	APPROVED BY YOITO	DATE 2013/04/16		
ANGULAR ± --- °		MATERIAL NO. SEE CHART	DOCUMENT NO. SD-3191-018	SHEET NO. 1 OF 1		
DRAFT WHERE APPLICABLE MUST REMAIN WITHIN DIMENSIONS		SIZE A3	THIS DRAWING CONTAINS INFORMATION THAT IS PROPRIETARY TO MOLEX INCORPORATED AND SHOULD NOT BE USED WITHOUT WRITTEN PERMISSION			