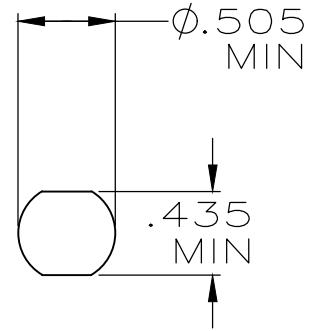


REVISIONS

P	LTR	DESCRIPTION	DATE	DWN	APVD
	F2	REVISED PER ECR-20-017432	09DEC2020	RZ	RS

1. USE WITH: RG-174/U, RG188-U CABLE.



SUGGESTED  
PANEL CUT-OUT

OBSOLETE  
SUPSD BY 331974  
SUPSD BY 2-330060-1


-71	-22	-21	-00	PART NO	DESCRIPTION	ITEM
+		-	+	1-329631-2	JAM NUT	12
+		-	+	1-329632-2	LOCK WASHER	1 1
+		-	+	2-328666-7	FERRULE	10
+		-	+	2-50793-7	CRIMP END ASSY	9
+		-	+	2-329803-3	JACK ASSY	8
+		1	+	329633	GASKET	7
+		1	+	329631	JAM NUT	6
+		1	+	9-329632-0	LOCK WASHER	5
+		1	+	9-328666-3	FERRULE	4
+		1	+	50793-8	CRIMP END ASSY	3
+		1	+	2-329106-1	GASKET	2
+		1	+	329803	JACK ASSY	1

RELEASED FOR PUBLICATION

ALL RIGHTS RESERVED.

THIS DRAWING IS UNPUBLISHED.

© COPYRIGHT - By -

DIMENSIONS: mm  TOLERANCES UNLESS OTHERWISE SPECIFIED: 0 PLC ± - 1 PLC ± - 2 PLC ± - 3 PLC ± - 4 PLC ± - ANGLES ± -	DWN M. O'BRINE 13DEC99	MATERIAL -	FINISH -
	CHK B. MOYER 13DEC99	 TE Connectivity	
APVD B. MOYER 13DEC99	NAME CONNECTOR, COAXIAL, RF JACK BULKHEAD, SERIES BNC		
PRODUCT SPEC -	SIZE A4	CAGE CODE 00779	DRAWING NO C-330060
APPLICATION SPEC -	RESTRICTED TO -		WEIGHT 20
CUSTOMER DRAWING		SCALE -	SHEET 1 OF 1 REV F2