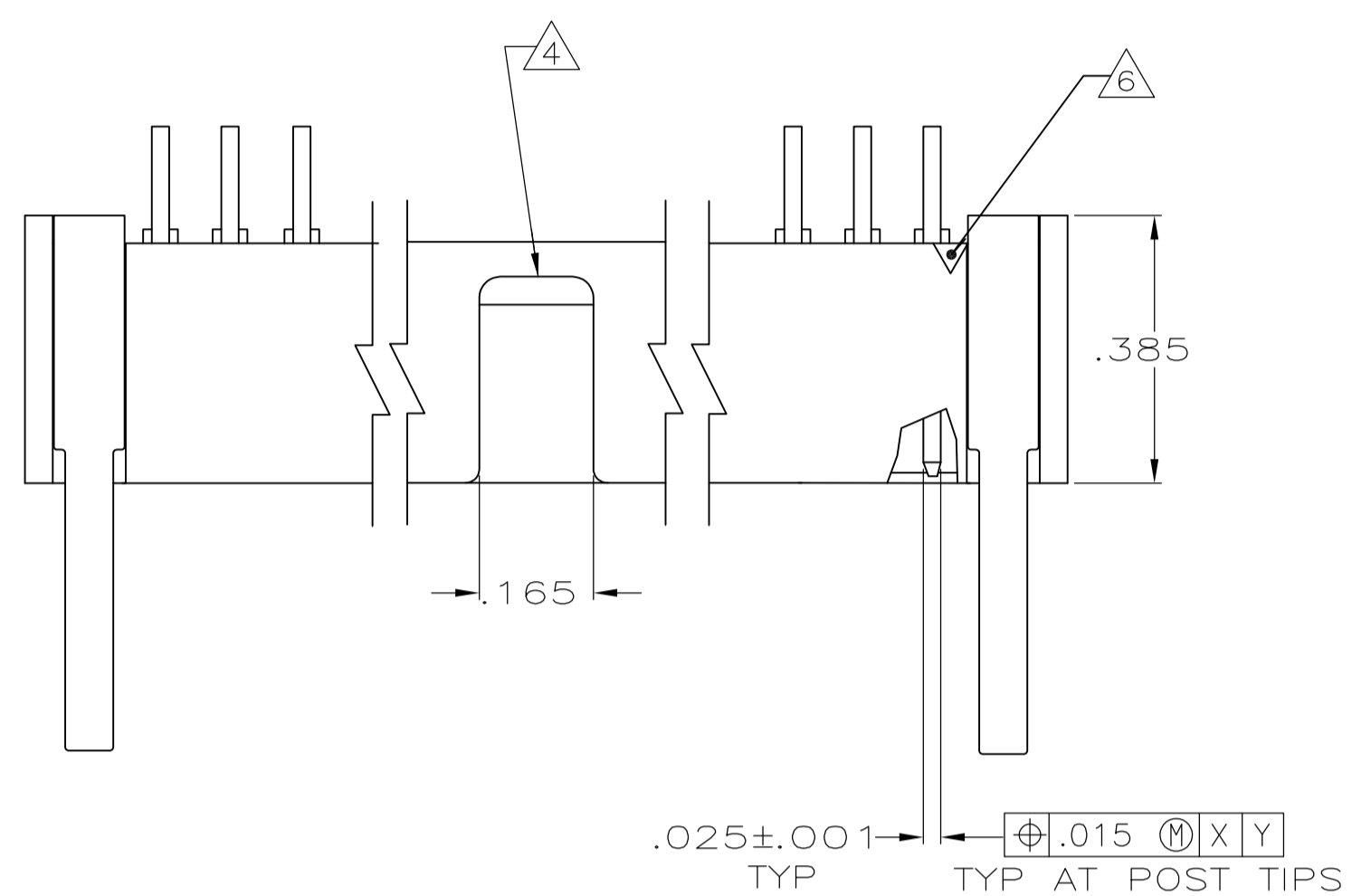
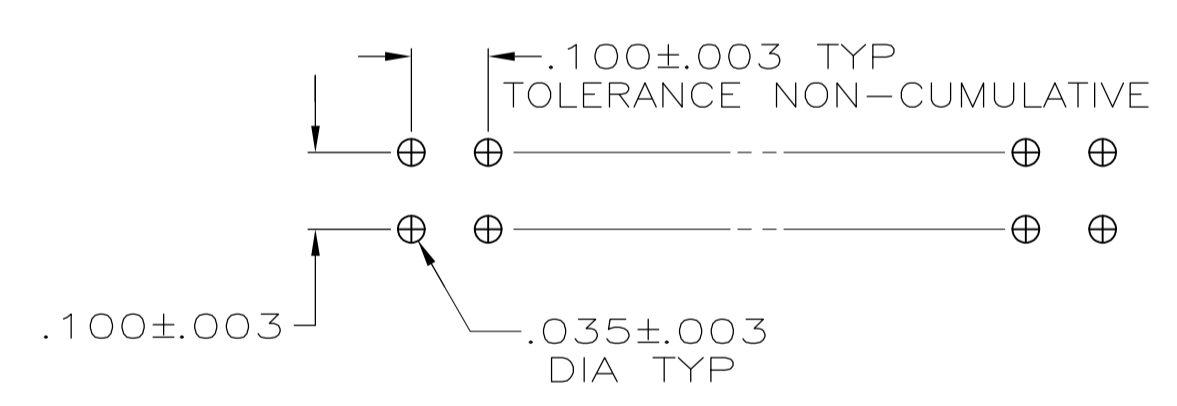
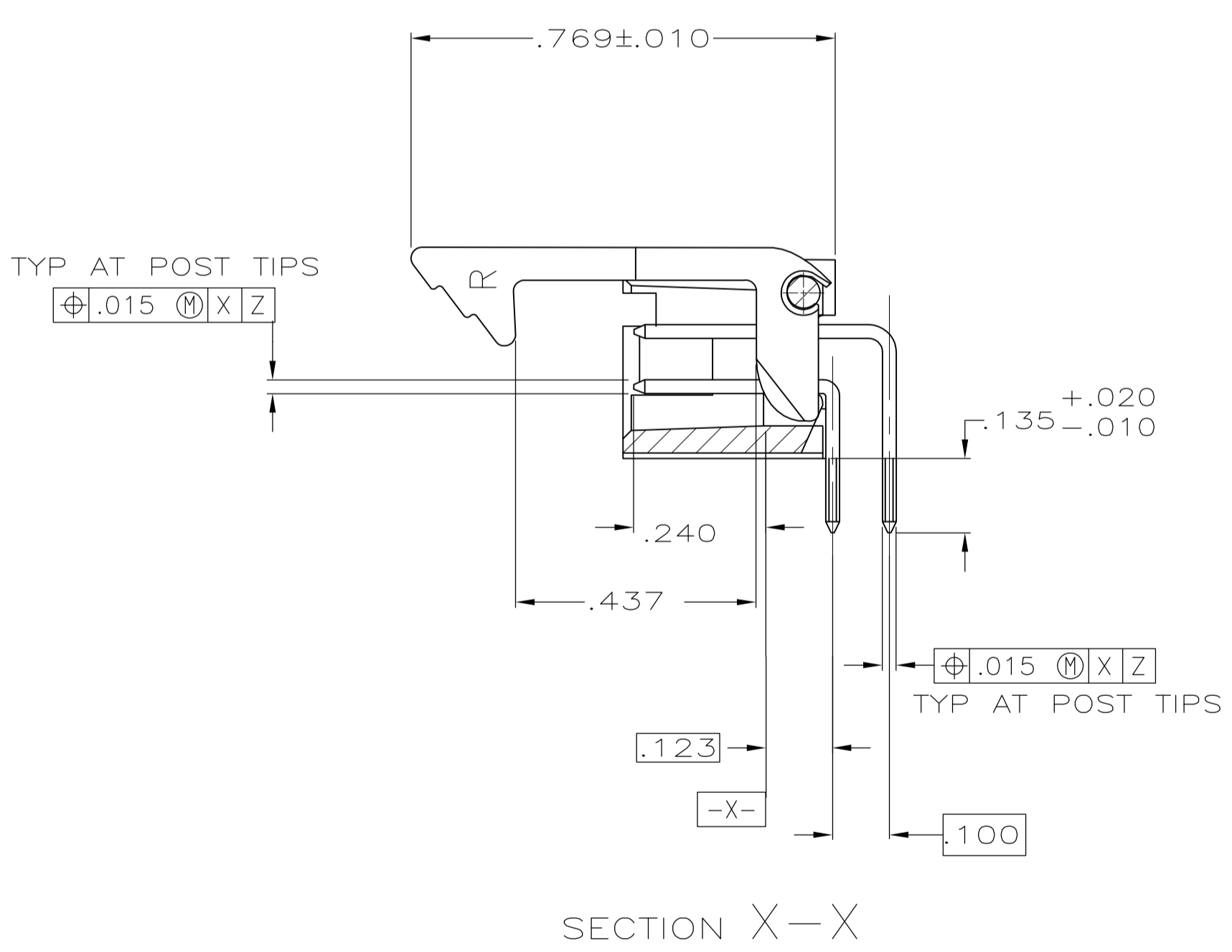
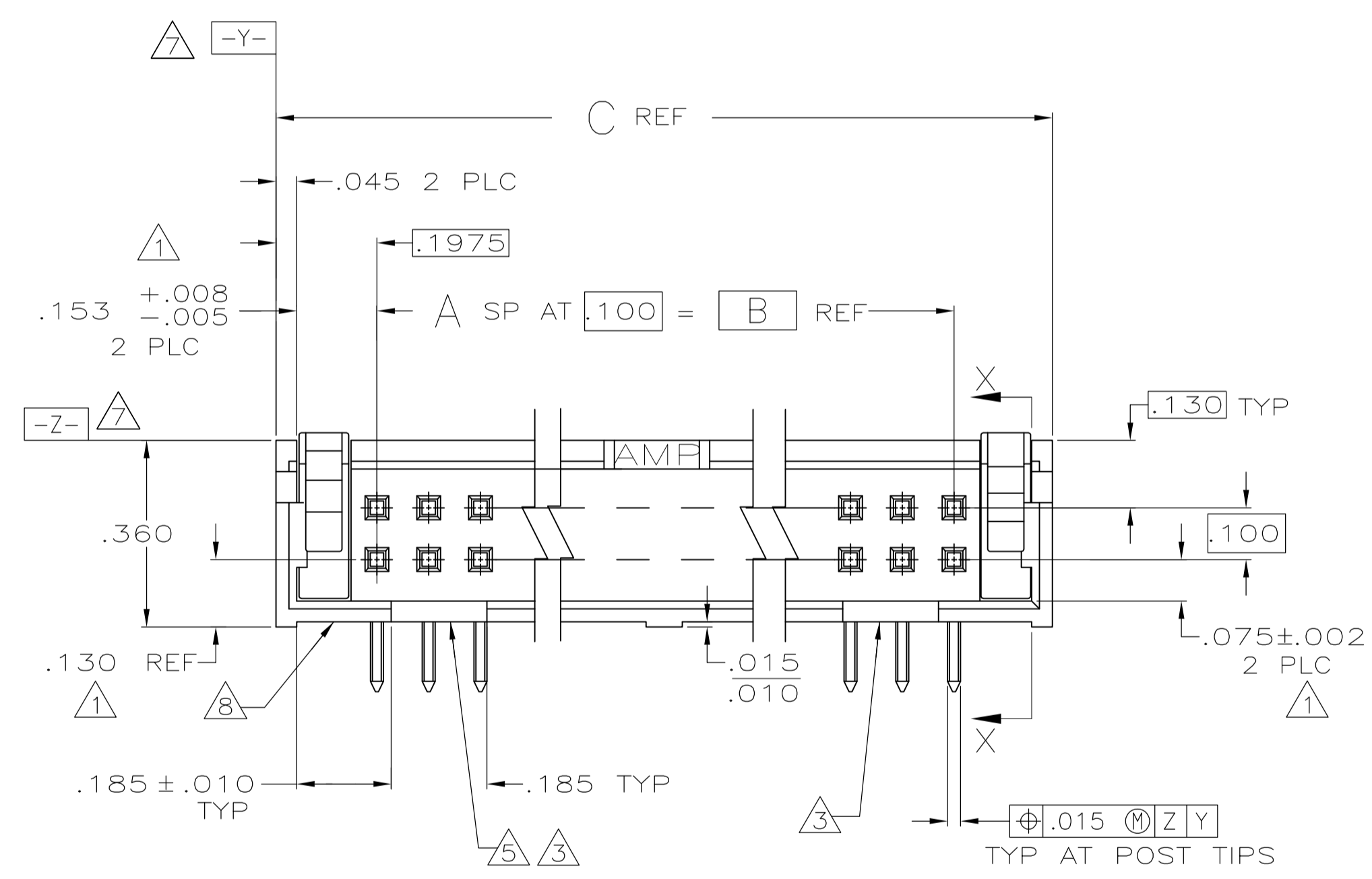


| LOC |    | DIST |                           | REVISIONS |     |      |  |
|-----|----|------|---------------------------|-----------|-----|------|--|
| GP  | 00 | REV  | DESCRIPTION               | DATE      | BY  | APPV |  |
| M   |    |      | REVISED PER ECO-08-005380 | 10JUN2008 | ZMR | SLB  |  |
| M1  |    |      | REVISED PER ECO-09-021826 | 09JAN10   | KK  | AEG  |  |



- 1 THE NOTED DIMENSIONS APPLY AT THE INTERSECTION OF THE POST AND HOUSING
- 2 GOLD FLASH OVER  
 PALLADIUM-NICKEL PLATE, .000030 MIN TOTAL ON THE MATING SURFACES,  
 .000100 MIN TIN-LEAD PLATE ON THE SOLDER-TAIL,  
 .000050 MIN NICKEL UNDERPLATE ON THE ENTIRE POST.  
 OR  
 .000030 MIN GOLD PLATE ON THE MATING SURFACES,  
 .000100 MIN TIN-LEAD PLATE ON THE SOLDER-TAIL,  
 .000050 MIN NICKEL UNDERPLATE ON THE ENTIRE POST.
- 3 DOUBLE BAR POLARIZATION
- 4 CENTER POLARIZATION SLOT
- 5 FOR 10 POSN ASSEMBLY, SLOT OMITTED WHERE INDICATED
- 6 NUMBER 1 POSITION INDICATOR.
- 7 DATUMS  $\square$ -Y- AND  $\square$ -Z- APPLY AT THE BASE OF THE SHROUD WALL.
- 8 OPTIONAL AMP IDENTIFICATION NUMBER (DATE CODE).  
 LOCATION APPROXIMATELY WHERE SHOWN.
- 9 MATERIAL: HOUSING: GLASS FILLED NYLON, FLAME RETARDANT, BLACK.  
 POSTS: BRASS.
- 10 OBSOLETE PARTS: OBSOLETE CIS STREAMLINING PER D.RENAUD/D.SINISI



RECOMMENDED HOLE LAYOUT FOR MANUAL INSERTION

|          |                           |       |       |    |    |            |
|----------|---------------------------|-------|-------|----|----|------------|
| 10       | SUPERSEDED BY 1-1761609-6 | 3.300 | 2.900 | 29 | 60 | 1-104315-0 |
|          |                           | 2.800 | 2.400 | 24 | 50 | 104315-9   |
| OBSOLETE |                           | 2.500 | 2.100 | 21 | 44 | 104315-8   |
|          |                           | 2.300 | 1.900 | 19 | 40 | 104315-7   |
|          |                           | 2.000 | 1.600 | 16 | 34 | 104315-6   |
|          | SUPERSEDED BY 1761609-9   | 1.600 | 1.200 | 12 | 26 | 104315-5   |
|          | SUPERSEDED BY 1761609-7   | 1.300 | .900  | 9  | 20 | 104315-4   |
| 10       | SUPERSEDED BY 1761609-6   | 1.100 | .700  | 7  | 16 | 104315-3   |
|          | SUPERSEDED BY 1761609-5   | 1.000 | .600  | 6  | 14 | 104315-2   |
|          | SUPERSEDED BY 1761609-3   | .800  | .400  | 4  | 10 | 104315-1   |

| C | B | A | NO OF POSN | ASSEMBLY PART NUMBER |
|---|---|---|------------|----------------------|
|   |   |   |            |                      |

THIS DRAWING IS A CONTROLLED DOCUMENT.

|                    |  |                         |                      |            |                  |   |
|--------------------|--|-------------------------|----------------------|------------|------------------|---|
| DIMENSIONS: INCHES | TOLERANCES UNLESS OTHERWISE SPECIFIED: | DWG: DOUTY 1-26-88      | CHK: R FEJDT 1-26-88 | APVD: -    | NAME: -          | Tyco Electronics Corporation<br>Harrisburg, PA 17105-3608 |
| 0 PLC ± -          | 1 PLC ± -                              | PRODUCT SPEC: 108-40018 | APPLICATION SPEC: -  | SIZE: A1   | CAGE CODE: 00779 | DRAWING NO: 104315  |
| 1 PLC ± -          | 2 PLC ± -                              | WEIGHT: -               | CUSTOMER DRAWING     | SCALE: 4:1 | SHEET: 1 OF 1    | REV: M1   |
| 3 PLC ± .005       | 4 PLC ± -                              |                         |                      |            |                  |   |
| ANGLES ± -         | FINISH: -                              |                         |                      |            |                  |   |