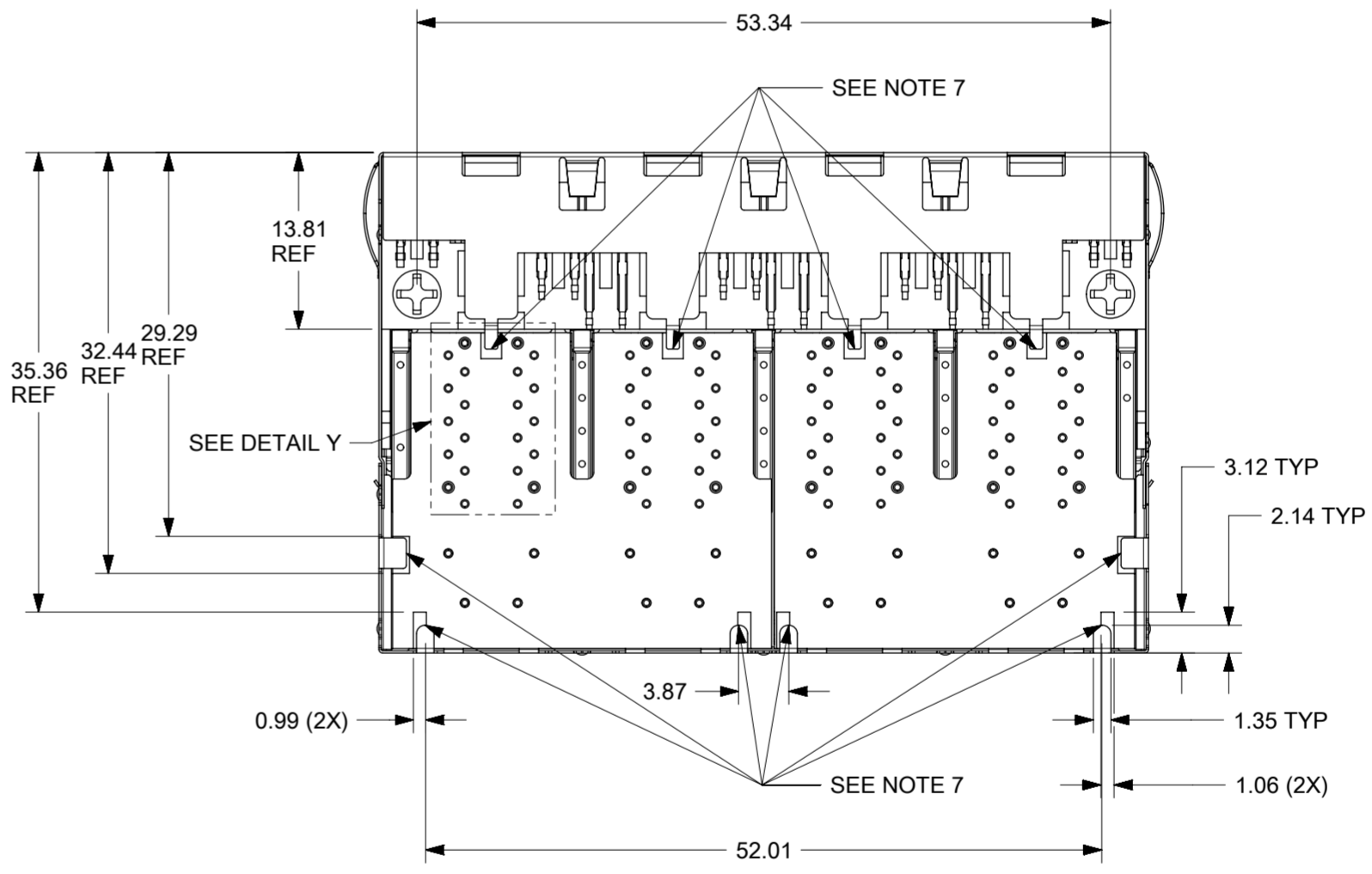
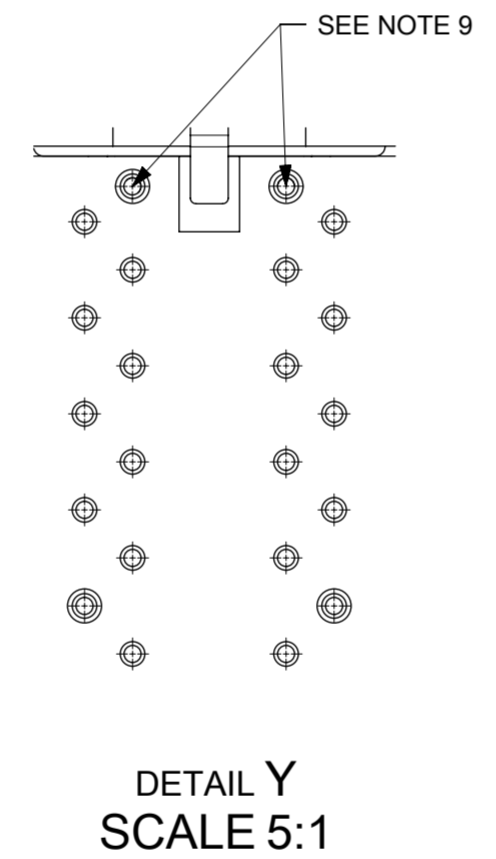
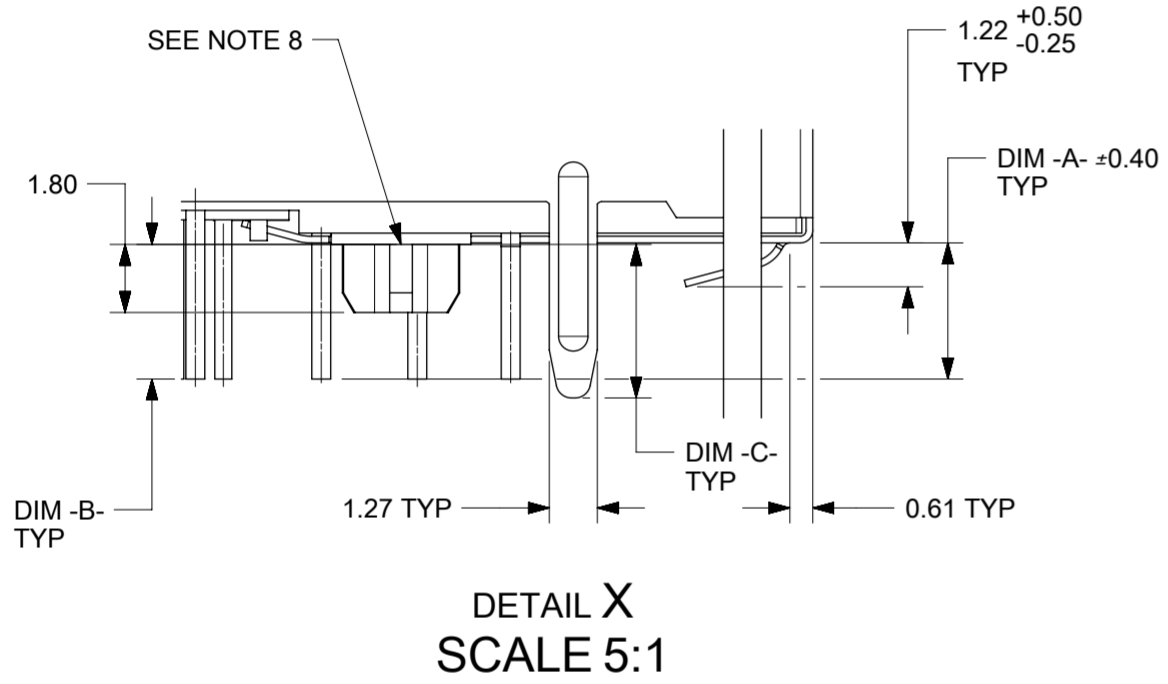
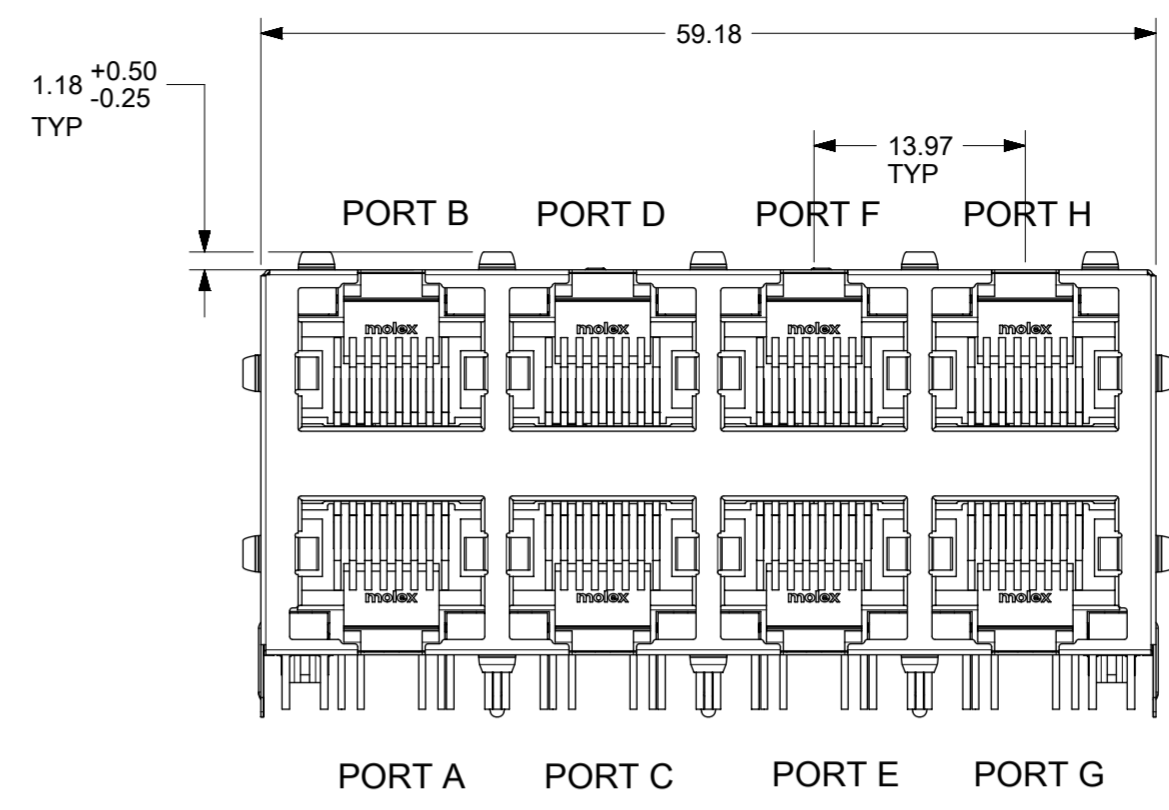
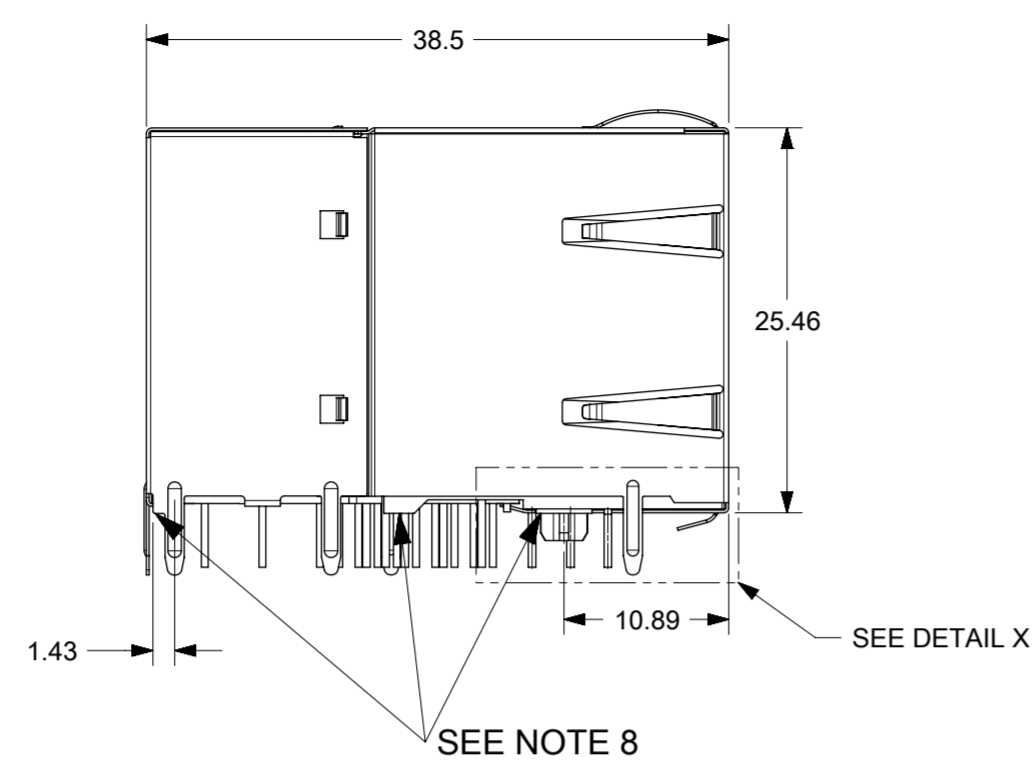


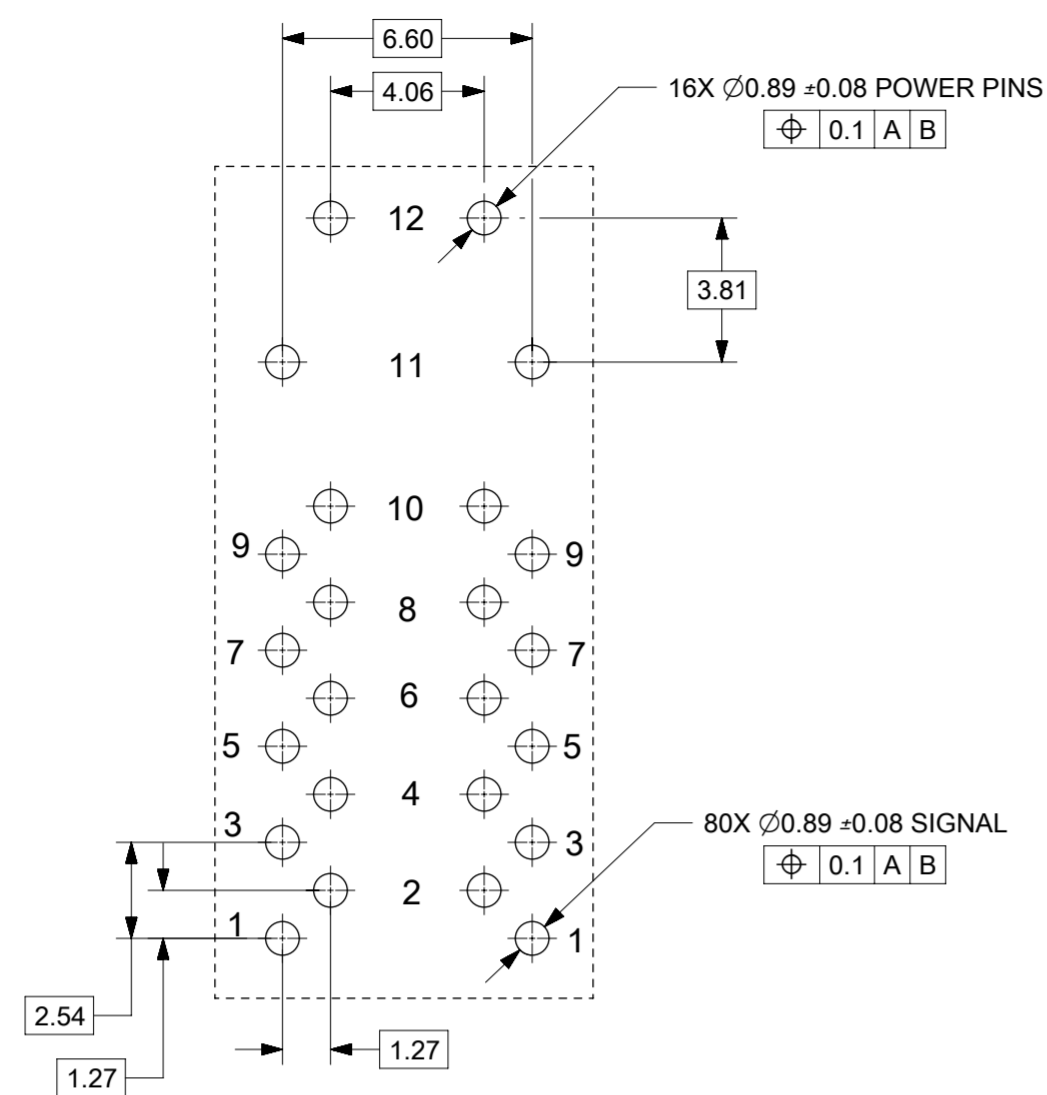
**GIGABIT 8 PORT MAGNETIC JACK WITH LED'S  
AND INTEGRATED POWER OVER ETHERNET TRANSFORMERS  
ACCORDING TO IEEE Std802.3-2012 FOR PSE (30 WATT) APPLICATIONS**



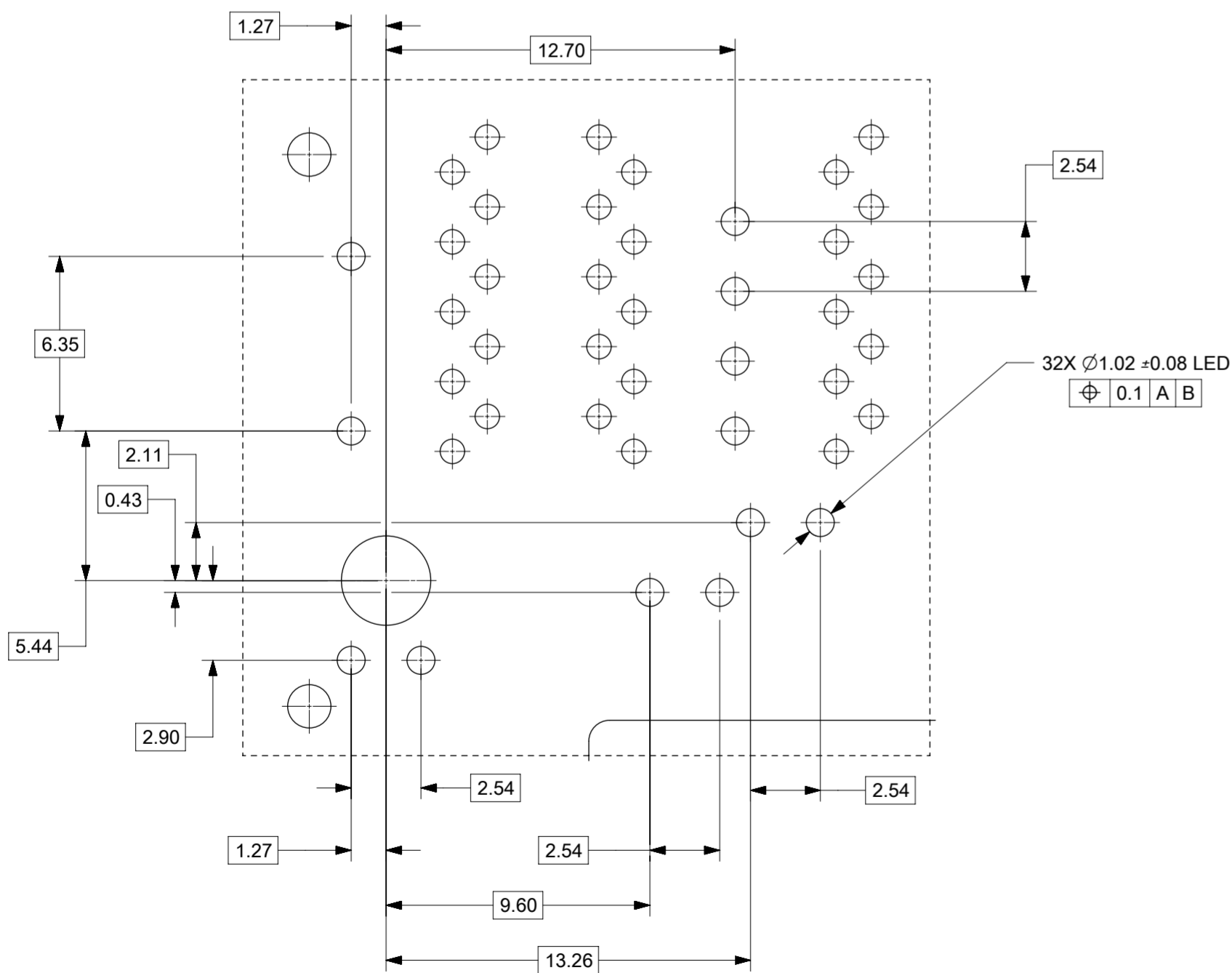
- NOTES:**
- 1 - SHIELD MATERIAL: BRASS; PLATING: NICKEL PRE-PLATING
  - 2 - PLASTIC MATERIAL: POLYESTER (PBT) BLACK, 30%GR, UL 94V-0
  - 3 - RJ45 TERMINALS MATERIAL: COPPER ALLOY  
CONTACT PLATING: 0.76 MICROMETER GOLD OVER 1.9 MICROMETER NICKEL  
PHY TERMINALS: TIN PLATED
  - 4 - MATING INTERFACE ACCORDING TO IEC 60603-7
  - 5 - PRODUCT SPECIFICATION: PS-85732-001
  - 6 - PACKAGING SPECIFICATION: PK-85735-001
  - 7 - SYSTEM BOARD TRACES WITHOUT INSULATION NOT ALLOWED IN THE SOLDERED AREA (SHILED SOLDERED WITH PCB PAD) TO AVOID SHORTS TO SHIELD
  - 8 - STAND OFF TO SYSTEM BOARD
  - 9 - STUBBED PINS -> AVOID TO ROUTE TRACES OR TO PLACE ANY VIAS OR PADS BELOW THESE PINS ON SYSTEM BOARD
  - 10 - FOR MAGNETICS AND LED INFORMATION SEE SPEC PS-85732-001

REVISION CHART	
REV	CHANGE CONTENT
C2	85735-1102 G/Y LED SHORTEN SHIELD PIN LENGTH

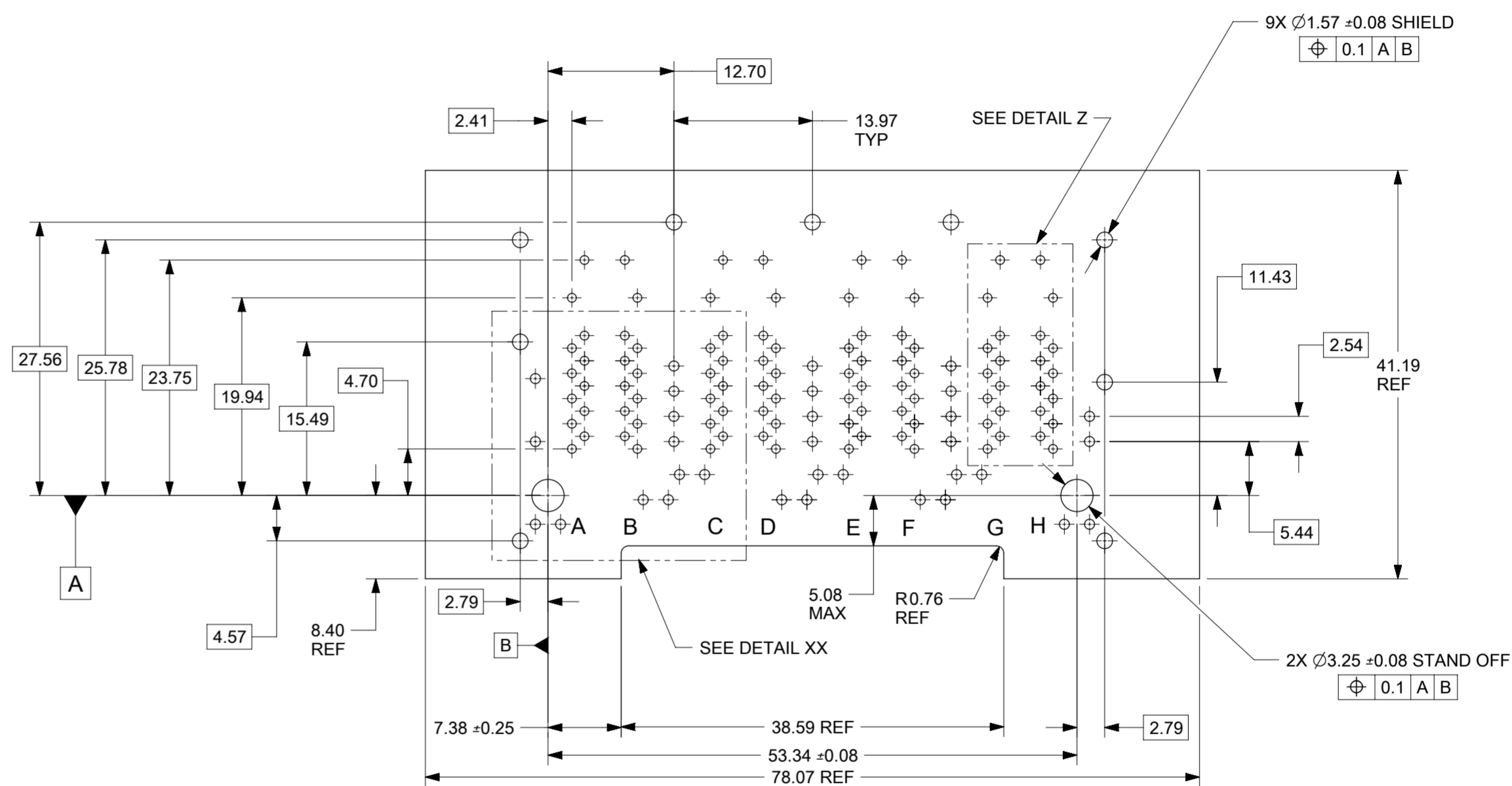
SYMBOLS		THIS DRAWING CONTAINS INFORMATION THAT IS PROPRIETARY TO MOLEX ELECTRONIC TECHNOLOGIES, LLC AND SHOULD NOT BE USED WITHOUT WRITTEN PERMISSION	
▽ = 0	DIMENSION UNITS	SCALE	CURRENT REV DESC: SEE REV CHART
▽ = 0	mm	2:1	
▽ = 0	GENERAL TOLERANCES (UNLESS SPECIFIED)		
▽ = 0	ANGULAR TOL ± 0.5°		
▽ = 0	4 PLACES ±	EC NO: 623893	
▽ = 0	3 PLACES ±	DRWN: GWU15	2019/09/11
▽ = 0	2 PLACES ± 0.25	CHK'D: KLANG	2019/09/12
▽ = 0	1 PLACE ± 0.5	APPR: KLANG	2019/09/12
▽ = 0	0 PLACES ±	INITIAL REVISION:	
▽ = 0	DRAFT WHERE APPLICABLE MUST REMAIN WITHIN DIMENSIONS	DRWN: MMANGARUDOV	2011/12/14
▽ = 0		APPR: SSTEINKE	2012/12/07
	THIRD ANGLE PROJECTION	DRAWING	SERIES
		A2-SIZE	85735
		MATERIAL NUMBER	CUSTOMER
		SEE PN TABLE	GENERAL MARKET
		DOCUMENT NUMBER	DOC TYPE   DOC PART   REVISION
		SD-85735-101	PSD   001   C2
		MATERIAL NUMBER	CUSTOMER
		SEE PN TABLE	GENERAL MARKET
			SHEET NUMBER
			1 OF 4



DETAIL Z  
SCALE 5:1



DETAIL XX  
SCALE 5:1

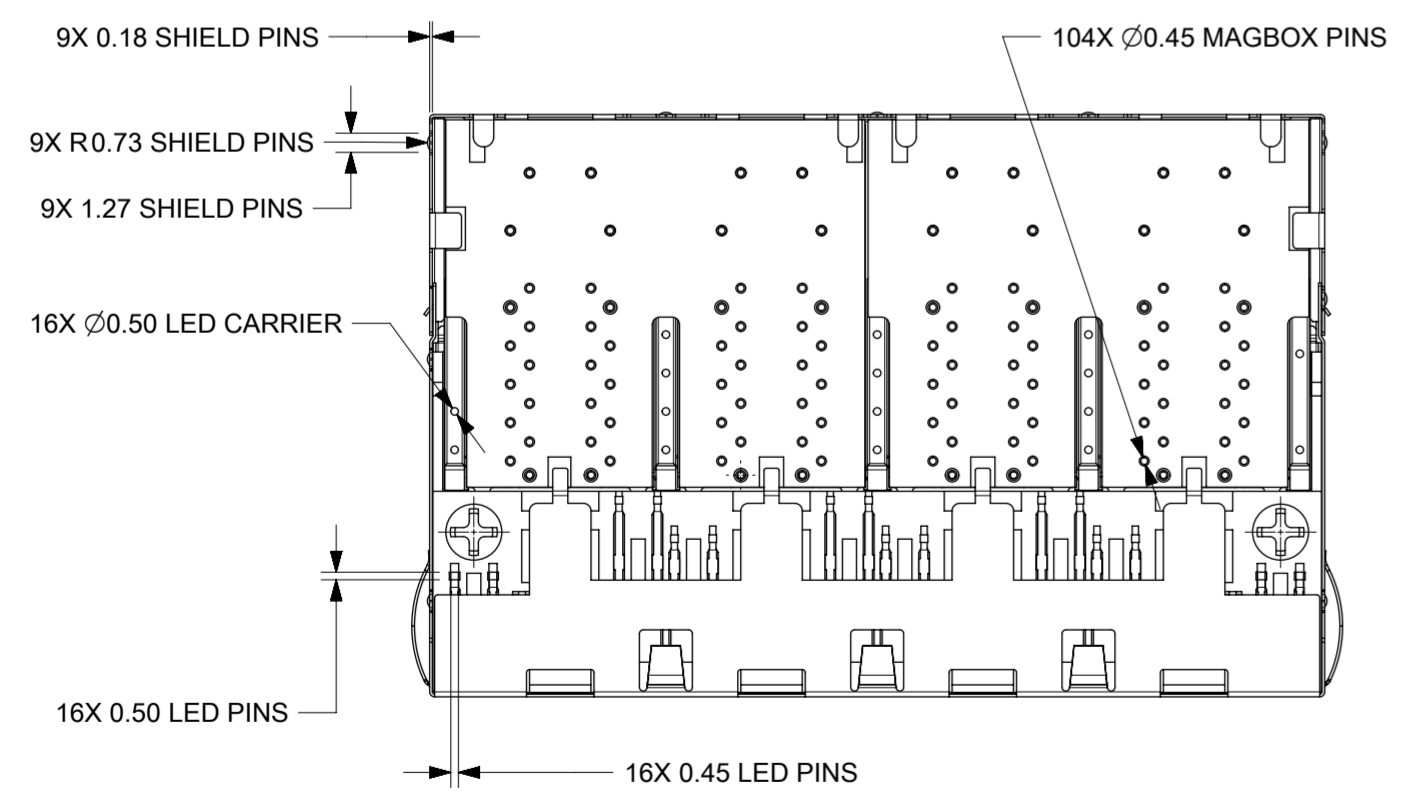
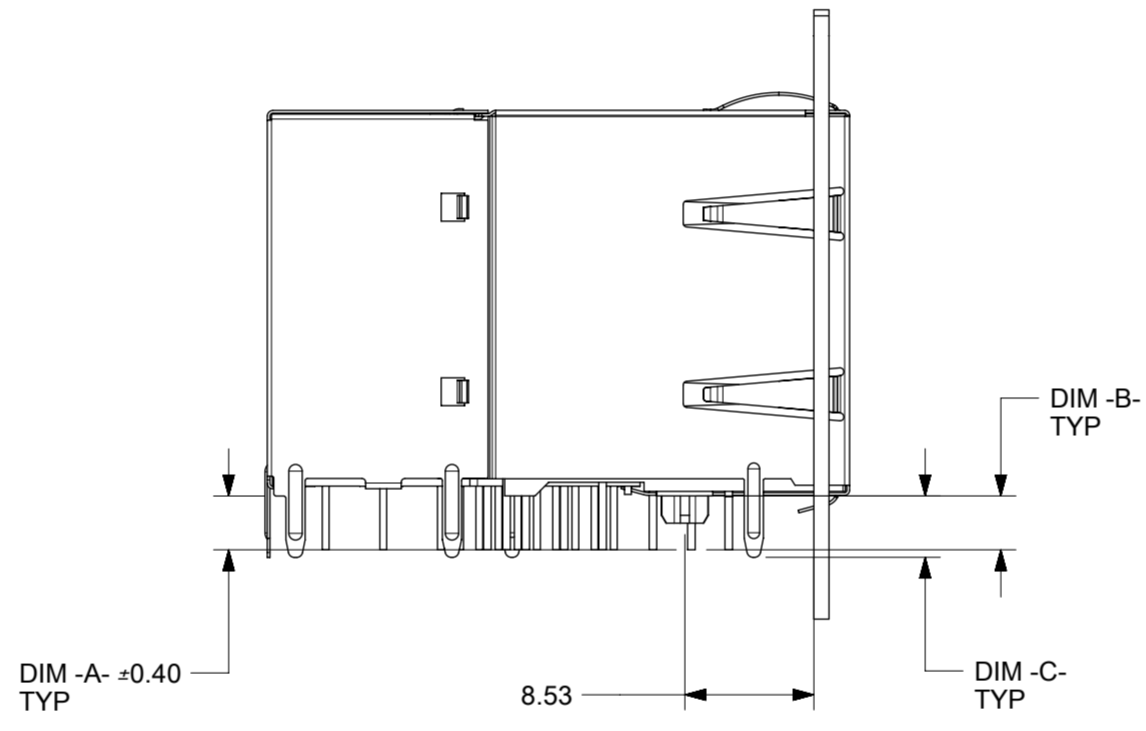
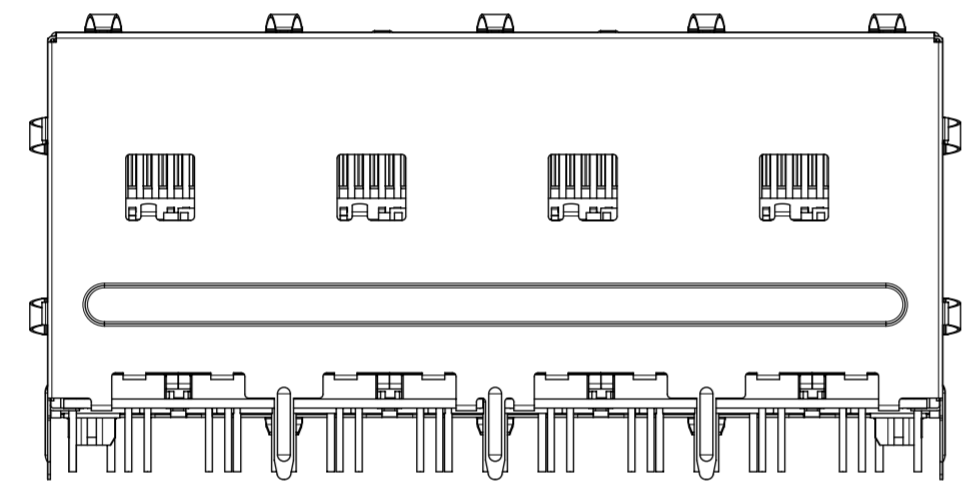
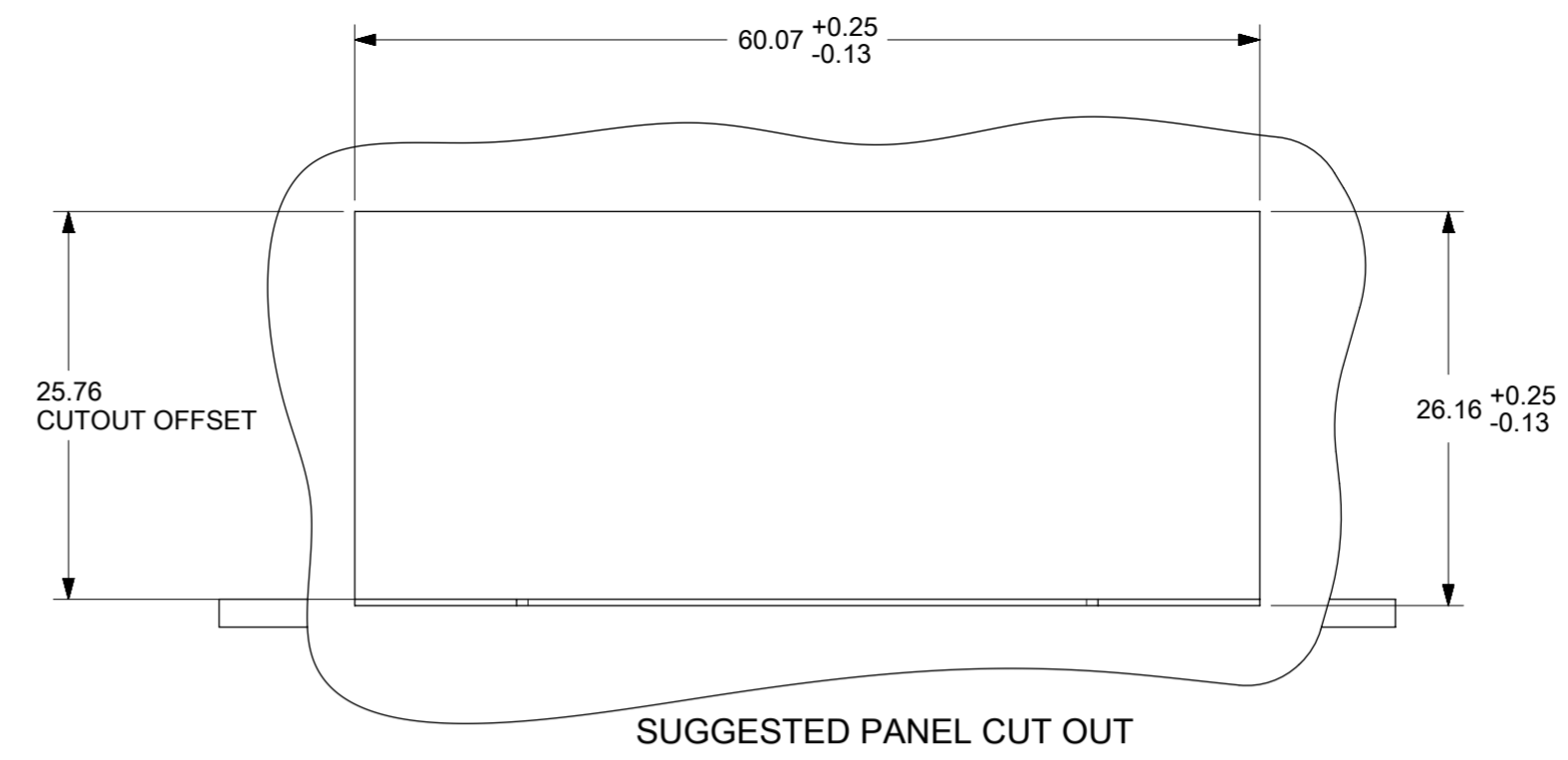
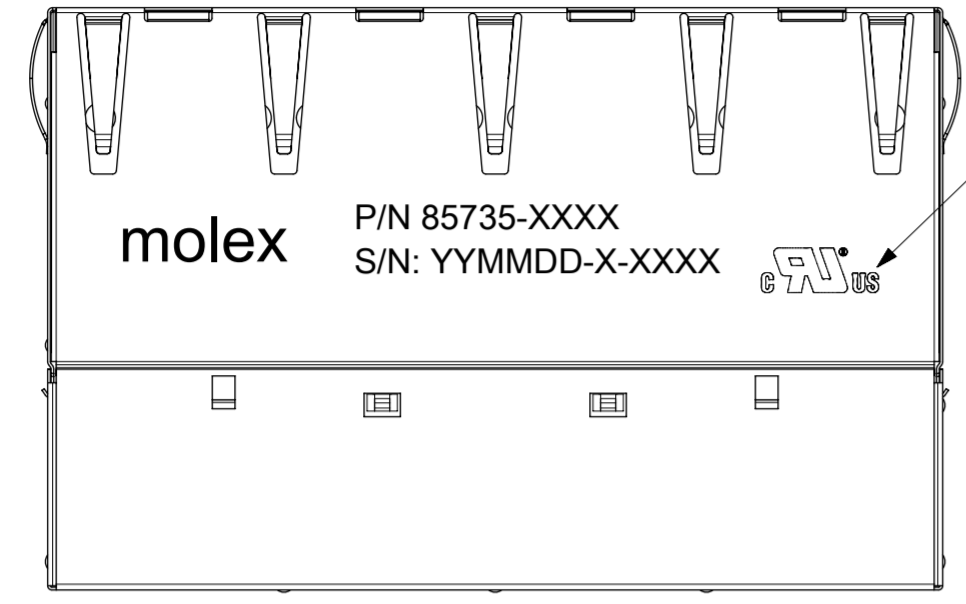


PCB LAYOUT: COMPONENT SIDE

SYMBOLS	THIS DRAWING CONTAINS INFORMATION THAT IS PROPRIETARY TO MOLEX ELECTRONIC TECHNOLOGIES, LLC AND SHOULD NOT BE USED WITHOUT WRITTEN PERMISSION		
	DIMENSION UNITS	SCALE	CURRENT REV DESC: SEE REV CHART
▽ = 0	mm	2:1	<p><b>molex</b></p> <p>GIGABIT MAGNETIC JACK POE PLUS ENABLED 2X4 LED</p> <p>PRODUCT CUSTOMER DRAWING</p>
▽ = 0	GENERAL TOLERANCES (UNLESS SPECIFIED)		
▽ = 0	ANGULAR TOL ± 0.5°		
▽ = 0	4 PLACES ±		
▽ = 0	3 PLACES ±		
▽ = 0	2 PLACES ± 0.25		<p>EC NO: 623893</p> <p>DRWN: GWU15 2019/09/11</p> <p>CHK'D: KLANG 2019/09/12</p> <p>APPR: KLANG 2019/09/12</p>
▽ = 0	1 PLACE ± 0.5		INITIAL REVISION:
▽ = 0	0 PLACES ±		DRWN: MMANGARUDOV 2011/12/14
▽ = 0	DRAFT WHERE APPLICABLE MUST REMAIN WITHIN DIMENSIONS		APPR: SSTEINKE 2012/12/07
▽ = 0	THIRD ANGLE PROJECTION	DRAWING	SERIES
		A2-SIZE	85735
			MATERIAL NUMBER
			SEE PN TABLE
			CUSTOMER
			GENERAL MARKET
			SHEET NUMBER
			2 OF 4

DOCUMENT STATUS	P1	RELEASE DATE	2019/09/12	13:59:00
-----------------	----	--------------	------------	----------

PRINTING  
LED VERSION  
P/N: 85735-XXXX  
S/N: YYMMDD-CM-CONSECUTIVE NUMBER



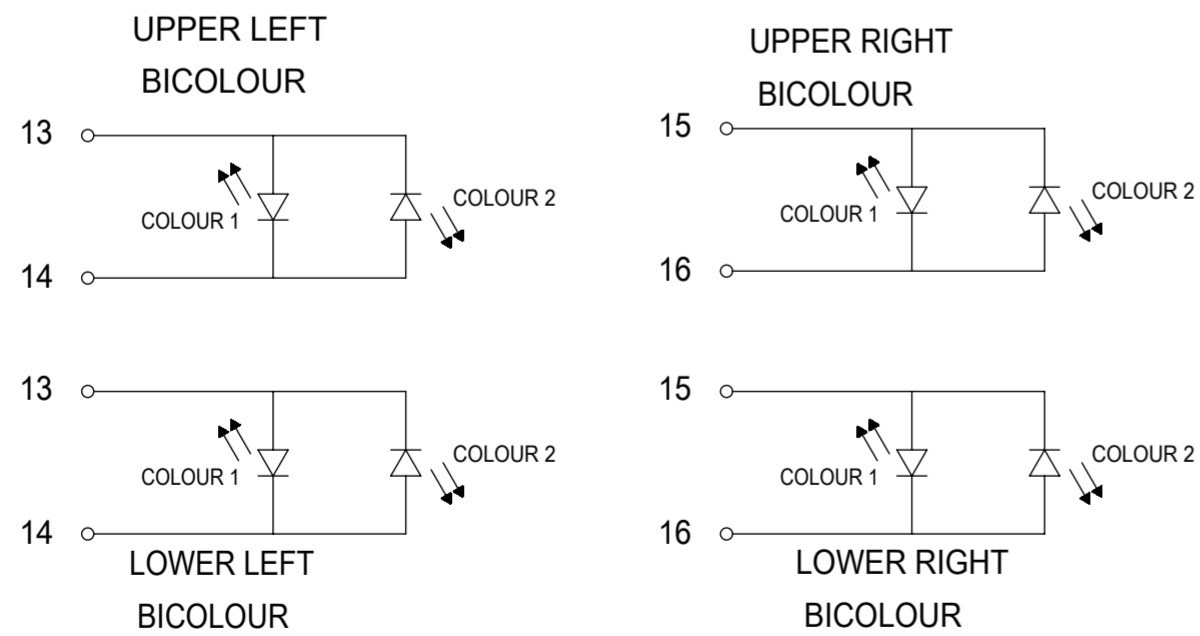
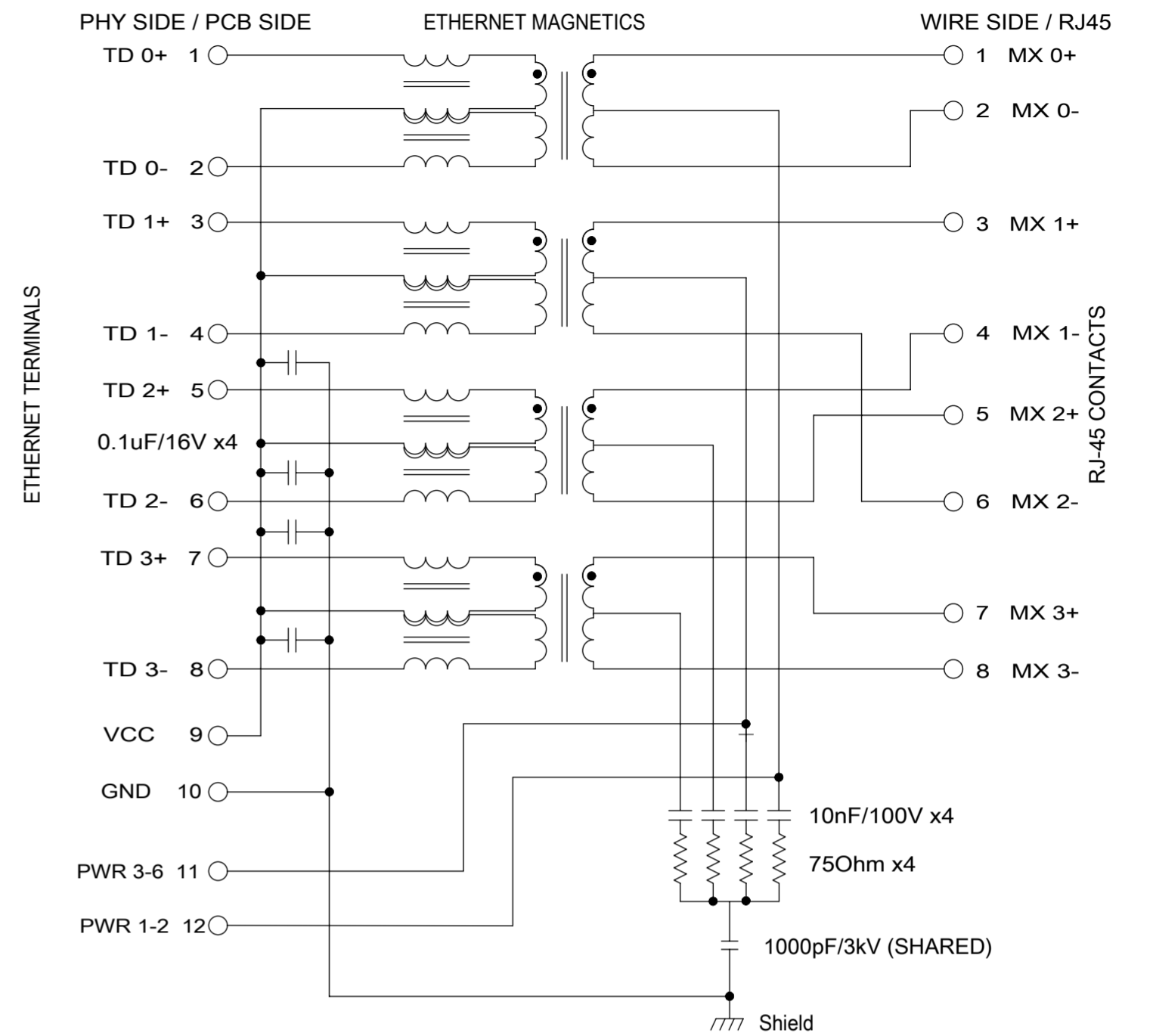
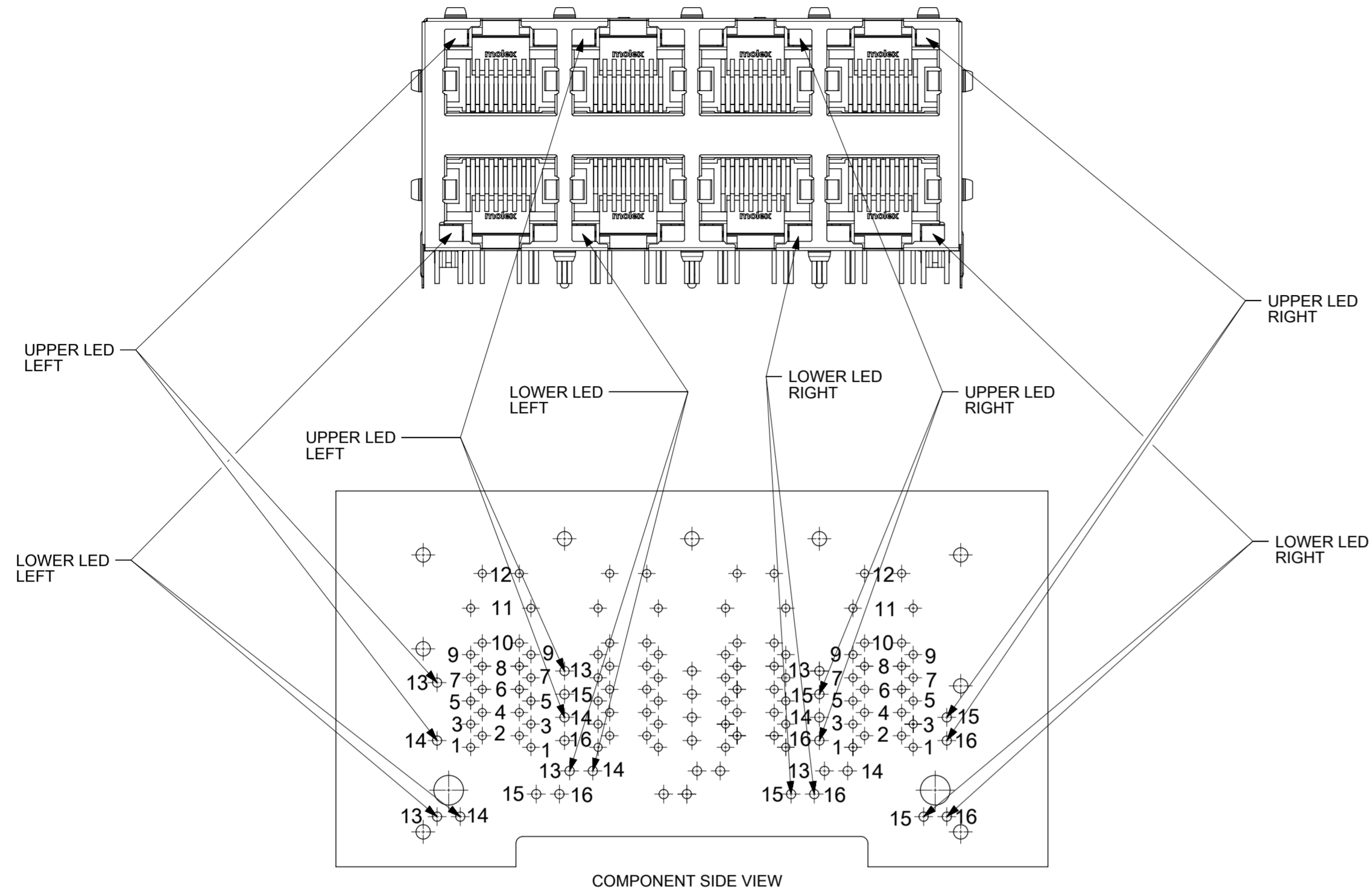
PART NUMBER	UPPER & LOWER LED LEFT		UPPER & LOWER LED RIGHT		DIM-A-SIGNAL PINS	DIM-B-LED PINS	DIM-C-SHIELD PINS
	COLOUR 1	COLOUR 2	COLOUR 1	COLOUR 2			
857351001	COLOUR 1	GREEN	COLOUR 1	GREEN	3,56mm	3,56mm	4.06mm
	COLOUR 2	-	COLOUR 2	-			
857351101	COLOUR 1	GREEN	COLOUR 1	GREEN	2.40mm	2.40mm	2.40mm
	COLOUR 2	-	COLOUR 2	-			
857351102	COLOUR 1	GREEN	COLOUR 1	YELLOW	2.40mm	2.40mm	2.40mm
	COLOUR 2	-	COLOUR 2	-			
857351002	COLOUR 1	GREEN	COLOUR 1	ORANGE	3,56mm	3,56mm	4.06mm
	COLOUR 2	-	COLOUR 2	-			
857351003	COLOUR 1	GREEN	COLOUR 1	GREEN	3,56mm	3,56mm	4.06mm
	COLOUR 2	ORANGE	COLOUR 2	-			
857351004	COLOUR 1	GREEN	COLOUR 1	GREEN	3,56mm	3,56mm	4.06mm
	COLOUR 2	ORANGE	COLOUR 2	ORANGE			
857351006	COLOUR 1	GREEN	COLOUR 1	YELLOW	3,56mm	3,56mm	4.06mm
	COLOUR 2	-	COLOUR 2	-			
857351007	COLOUR 1	GREEN	COLOUR 1	GREEN	3,56mm	3,56mm	4.06mm
	COLOUR 2	YELLOW	COLOUR 2	-			
857351008	COLOUR 1	GREEN	COLOUR 1	GREEN	3,56mm	3,56mm	4.06mm
	COLOUR 2	YELLOW	COLOUR 2	YELLOW			
857351012	COLOUR 1	YELLOW	COLOUR 1	GREEN	3,56mm	3,56mm	4.06mm
	COLOUR 2	GREEN	COLOUR 2	-			
857351013	COLOUR 1	YELLOW	COLOUR 1	YELLOW	3,56mm	3,56mm	4.06mm
	COLOUR 2	GREEN	COLOUR 2	GREEN			
857351014	COLOUR 1	YELLOW	COLOUR 1	GREEN	3,56mm	3,56mm	4.06mm
	COLOUR 2	-	COLOUR 2	-			

857353001	COLOUR 1	GREEN	COLOUR 1	GREEN	2,2mm	3,56mm	4.06mm
	COLOUR 2	-	COLOUR 2	-			

ADDITIONAL LED COLOURS AND CONFIGURATIONS ARE AVAILABLE ON REQUEST

NOTES:  
1 - PRINTING MARKED BY LASER  
2 - INSCRIPTION:  
1st LINE: PART NUMBER  
2nd LINE: DATE CODE (YEAR, MONTH, DAY) - MANUFACTURER ID - CONSECUTIVE NUMBER  
3 - UL LOGO

SYMBOLS	THIS DRAWING CONTAINS INFORMATION THAT IS PROPRIETARY TO MOLEX ELECTRONIC TECHNOLOGIES, LLC AND SHOULD NOT BE USED WITHOUT WRITTEN PERMISSION			
	DIMENSION UNITS	SCALE	CURRENT REV DESC: SEE REV CHART	
▽ = 0	mm	2:1		
▽ = 0	GENERAL TOLERANCES (UNLESS SPECIFIED)			<p><b>molex</b></p> <p>GIGABIT MAGNETIC JACK POE PLUS ENABLED 2X4 LED</p>
▽ = 0	ANGULAR TOL ± 0.5°			
▽ = 0	4 PLACES ±	EC NO: 623893	2019/09/11	PRODUCT CUSTOMER DRAWING
▽ = 0	3 PLACES ±	DRWN: GWU15	2019/09/12	
▽ = 0	2 PLACES ± 0.25	CHK'D: KLANG	2019/09/12	DOCUMENT NUMBER
▽ = 0	1 PLACE ± 0.5	APPR: KLANG	2019/09/12	
▽ = 0	0 PLACES ±	INITIAL REVISION:		SD-85735-101
▽ = 0	DRWN: MMANGARUDOV		2011/12/14	
▽ = 0	APPR: SSTEINKE		2012/12/07	DOC TYPE
▽ = 0	DRAFT WHERE APPLICABLE MUST REMAIN WITHIN DIMENSIONS	THIRD ANGLE PROJECTION	DRAWING	DOC PART
		A2-SIZE	SERIES	REVISION
			85735	SD-85735-101
			SEE PN TABLE	PSD
			GENERAL MARKET	001
				C2
				SHEET NUMBER
				3 OF 4



UPPER PIN POSITION	LOWER PIN POSITION	LEFT LED COLOUR 1	LEFT LED COLOUR 2
13	13	+	-
14	14	-	+

UPPER PIN POSITION	LOWER PIN POSITION	RIGHT LED COLOUR 1	RIGHT LED COLOUR 2
15	15	+	-
16	16	-	+

PIN	ETHERNET MAGNETICS
1	TD 0+
2	TD 0-
3	TD 1+
4	TD 1-
5	TD 2+
6	TD 2-
7	TD 3+
8	TD 3-
9	Vcc
10	GND
11	PWR 3-6
12	PWR 1-2

	MDI-X	MDI
PIN 11	Vc +	Vc -
PIN 12	Vc -	Vc +

POWER-SUPPLY POLARITY DEFINITION TO ACHIEVE PoE POWER ASSIGNMENT ACCORDING IEEE Std802.3-2012 ALTERNATIVE A:

SYMBOLS	THIS DRAWING CONTAINS INFORMATION THAT IS PROPRIETARY TO MOLEX ELECTRONIC TECHNOLOGIES, LLC AND SHOULD NOT BE USED WITHOUT WRITTEN PERMISSION	
	DIMENSION UNITS	SCALE
∅ = 0	mm	2:1
E = 0	GENERAL TOLERANCES (UNLESS SPECIFIED)	
F = 0	ANGULAR TOL ± 0.5°	
S = 0	CURRENT REV DESC: SEE REV CHART	
▽ = 0	4 PLACES ±	EC NO: 623893
▽ = 0	3 PLACES ±	DRWN: GWU15 2019/09/11
▽ = 0	2 PLACES ± 0.25	CHK'D: KLANG 2019/09/12
⊠ = 0	1 PLACE ± 0.5	APPR: KLANG 2019/09/12
■ = 0	0 PLACES ±	INITIAL REVISION:
▽ = 0	DRAFT WHERE APPLICABLE MUST REMAIN WITHIN DIMENSIONS	DRWN: MMANGARUDOV 2011/12/14
	THIRD ANGLE PROJECTION	APPR: SSTEINKE 2012/12/07
	DRAWING	SERIES
	A2-SIZE	85735
	MATERIAL NUMBER	CUSTOMER
	SEE PN TABLE	GENERAL MARKET
	DOCUMENT NUMBER	DOC TYPE   DOC PART   REVISION
	SD-85735-101	PSD   001   C2
	SHEET NUMBER	4 OF 4

**molex**

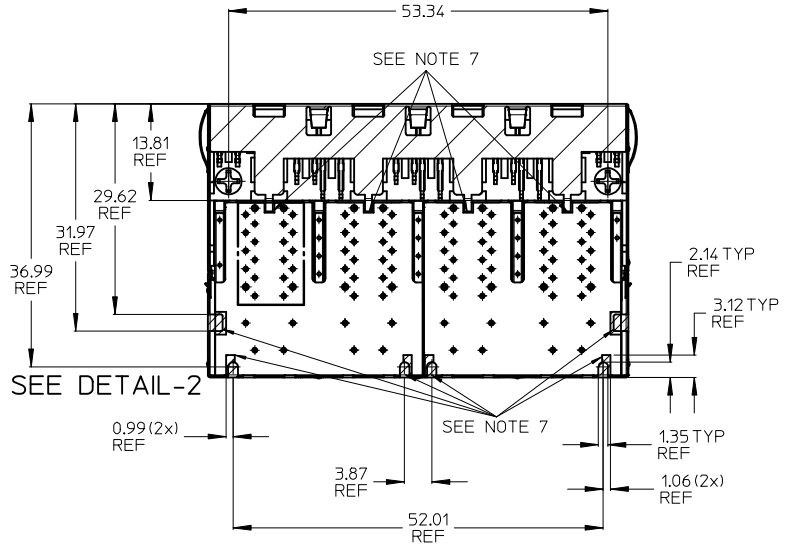
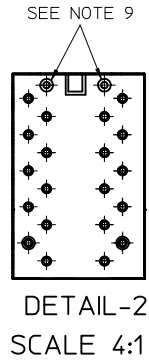
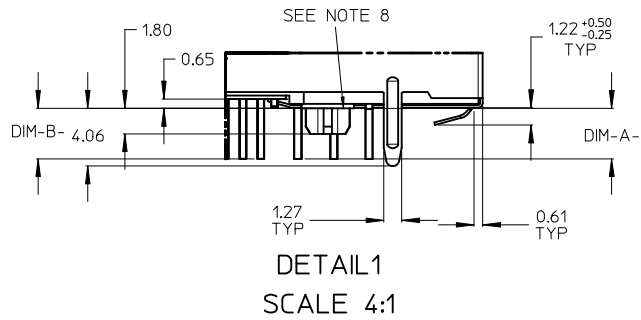
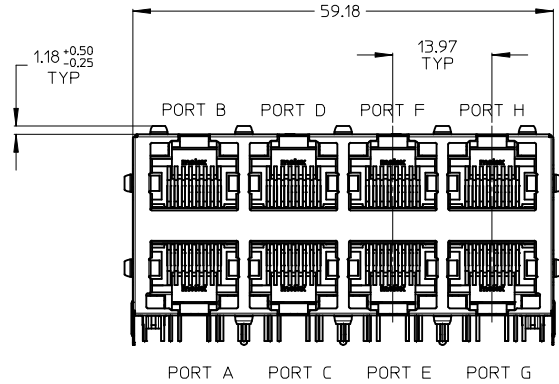
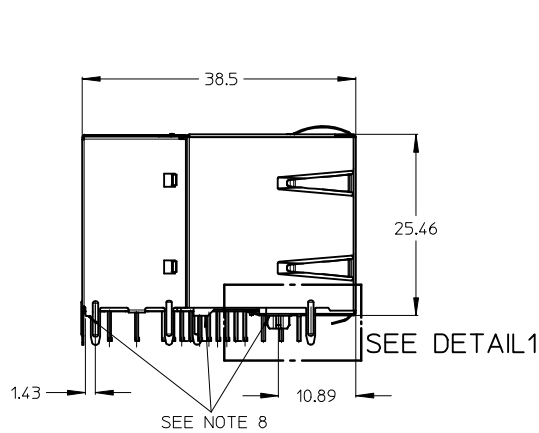
GIGABIT MAGNETIC JACK  
POE PLUS ENABLED 2X4 LED

PRODUCT CUSTOMER DRAWING

**GIGABIT 8 PORT MAGNETIC JACK WITH LED'S  
AND INTEGRATED POWER OVER ETHERNET TRANSFORMERS  
WITHOUT POWER LINE CHOKE  
ACCORDING TO IEEE Std802.3-2012 FOR PSE (30 WATT) APPLICATIONS**

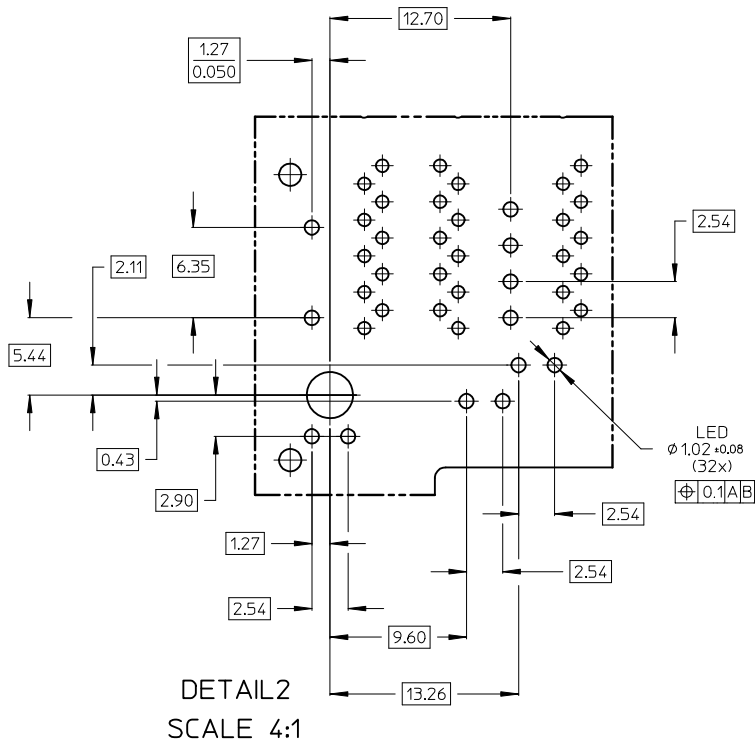
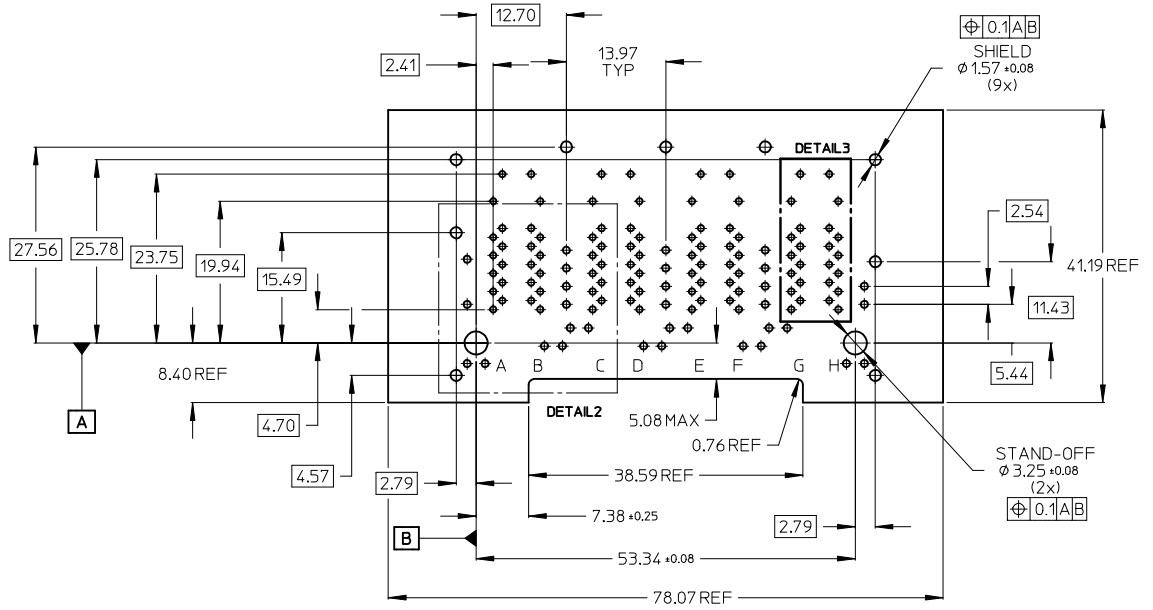
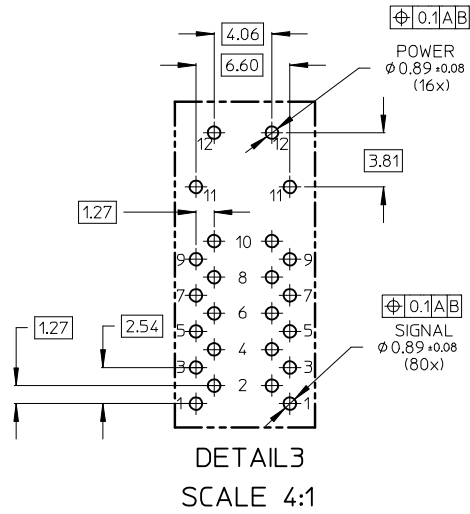
PART NUMBER	UPPER & LOWER LED LEFT		UPPER & LOWER LED RIGHT		LED PIN DIM-A-	SIGNAL PIN DIM-B-
	COLOUR 1	COLOUR 2	COLOUR 1	COLOUR 2		
85735-2001	GREEN	—	GREEN	—	3.56 MM	3.56 MM
85735-2004	GREEN	ORANGE	GREEN	ORANGE	3.56 MM	3.56 MM

ADDITIONAL LED COLOURS ARE CONFIGURATIONS AVAILABLE ON REQUEST



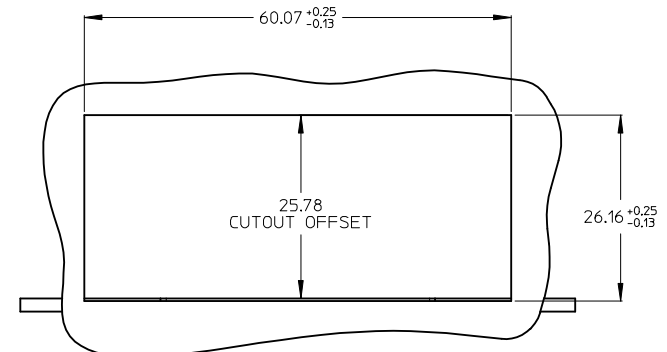
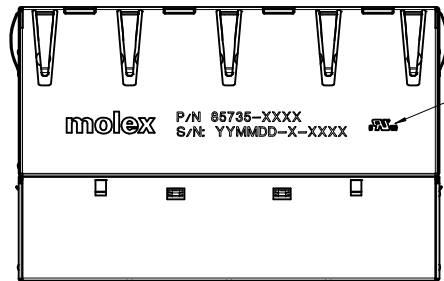
- NOTES:
- 1 - SHIELD MATERIAL: BRASS; PLATING: NICKEL PRE-PLATING
  - 2 - PLASTIC MATERIAL: POLYESTER (PBT) BLACK, 30%GR, UL 94V-0
  - 3 - RJ45 TERMINALS MATERIAL: COPPER ALLOY  
CONTACT PLATING: 0.76 MICROMETER GOLD OVER 1.9 MICROMETER NICKEL  
PHY TERMINALS: TIN PLATED
  - 4 - MATING INTERFACE ACCORDING TO IEC 60603-7
  - 5 - PRODUCT SPECIFICATION: PS-85732-001
  - 6 - PACKAGING SPECIFICATION: PK-85735-001
  - 7 - TRACES WITHOUT INSULATION NOT ALLOWED IN THE DASHED AREAS & LATCHES (TO AVOID SHORTS TO SHIELD)
  - 8 - STAND OFF TO SYSTEM BOARD
  - 9 - STUBBED PINS -> AVOID TO ROUTE TRACES OR TO PLACE ANY VIAS OR PADS BELOW THESE PINS
  - 10 - FOR MAGNETICS AND LED INFORMATION SEE SPEC PS-85732-001

INCH DIM DELETED	IEC NO: 2015/01/15 DRWN: JBADER CHKD: MMANGARUDOV 2015/01/15 APPR: SSTEINKE 2015/07/08	QUALITY SYMBOLS ▽=0 ▽=0	GENERAL TOLERANCES (UNLESS SPECIFIED)		DIMENSION STYLE <b>MM ONLY</b>		SCALE	DESIGN UNITS	THIRD ANGLE PROJECTION		
			4 PLACES ± --- ± ---	3 PLACES ± --- ± ---	2 PLACES ± 0.25 ± ---	1 PLACE ± 0.5 ± ---	DRAWN BY: JBADER DATE: 2013/07/02			2:1	METRIC
			ANGULAR ± .5 °				CHECKED BY: MMANGARUDOV DATE: 2013/07/02			TITLE <b>GIGABIT MAGNETIC JACK POE PLUS ENABLED 2X4 LED</b>	
DRAFT WHERE APPLICABLE MUST REMAIN WITHIN DIMENSIONS			MATERIAL NO. <b>SEE BOM</b>		APPROVED BY: SSTEINKE DATE: 2013/10/31		MOLEX INCORPORATED		SHEET NO. 1 OF 4		
THIS DRAWING CONTAINS INFORMATION THAT IS PROPRIETARY TO MOLEX INCORPORATED AND SHOULD NOT BE USED WITHOUT WRITTEN PERMISSION					DOCUMENT NO. <b>SD-85735-201</b>						

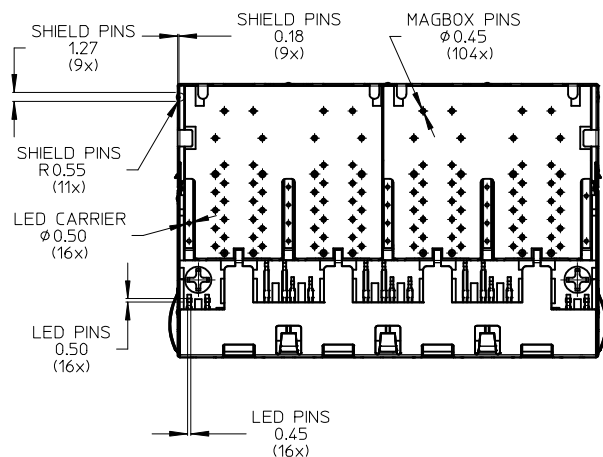
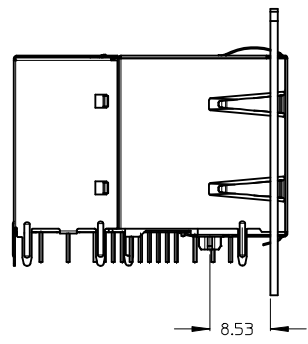
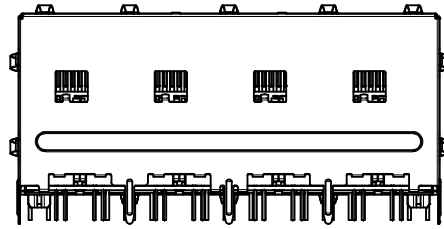


INCH DIM DELETED	EC NO:	20150115	QUALITY SYMBOLS		GENERAL TOLERANCES (UNLESS SPECIFIED)		DIMENSION STYLE		SCALE	DESIGN UNITS	THIRD ANGLE PROJECTION
	DRWN:	JBADER	20150115	▽=0	mm INCH		MM ONLY		2:1	METRIC	
	CHKD:	MMANGARUDOV	20150115	▽=0	4 PLACES ± --- ± ---	DRAWN BY DATE		TITLE		GIGABIT MAGNETIC JACK POE PLUS ENABLED 2X4 LED	
	APPR:	SSTEINKE	20150708		3 PLACES ± --- ± ---	JBADER 2013/07/02					
REV					2 PLACES ± 0.25 ± ---	CHECKED BY DATE					
					1 PLACE ± 0.5 ± ---	MMANGARUDOV 2013/07/02					
					ANGULAR ± .5 °	APPROVED BY DATE					
						SSTEINKE 2013/10/31					
						MATERIAL NO.		MOLEX INCORPORATED			
						SEE SHEET 1		DOCUMENT NO.			
						DRAFT WHERE APPLICABLE MUST REMAIN WITHIN DIMENSIONS		SD-85735-201			
						SIZE A 2		THIS DRAWING CONTAINS INFORMATION THAT IS PROPRIETARY TO MOLEX INCORPORATED AND SHOULD NOT BE USED WITHOUT WRITTEN PERMISSION			
								SHEET NO. 2 OF 4			

PRINTING  
 LED VERSION  
 P/N: 85735-XXXX  
 S/N: YYMMDD-CM-CONSECUTIVE NUMBER

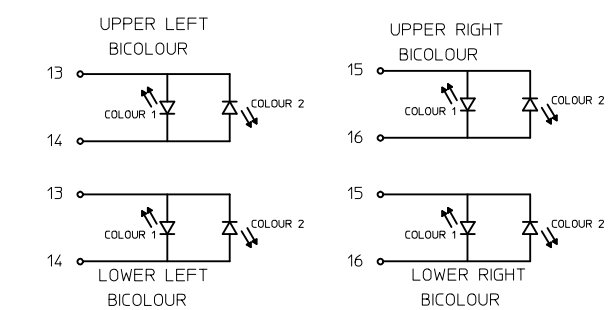
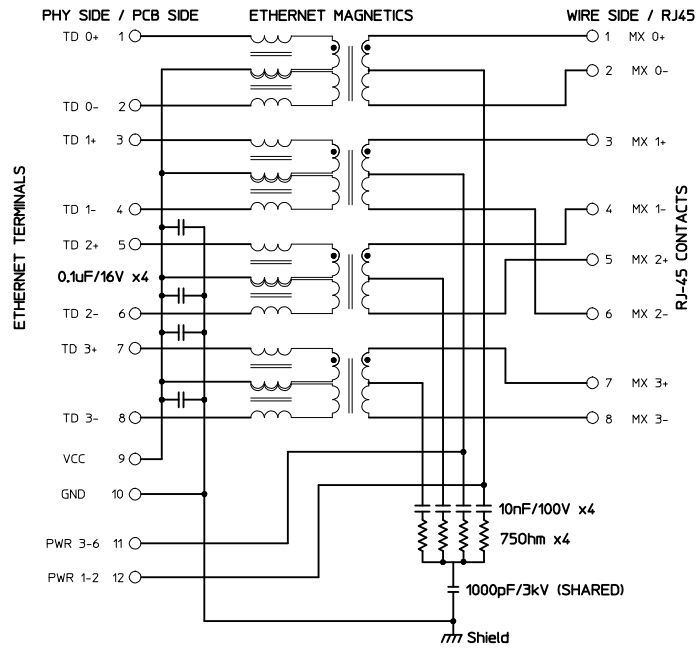
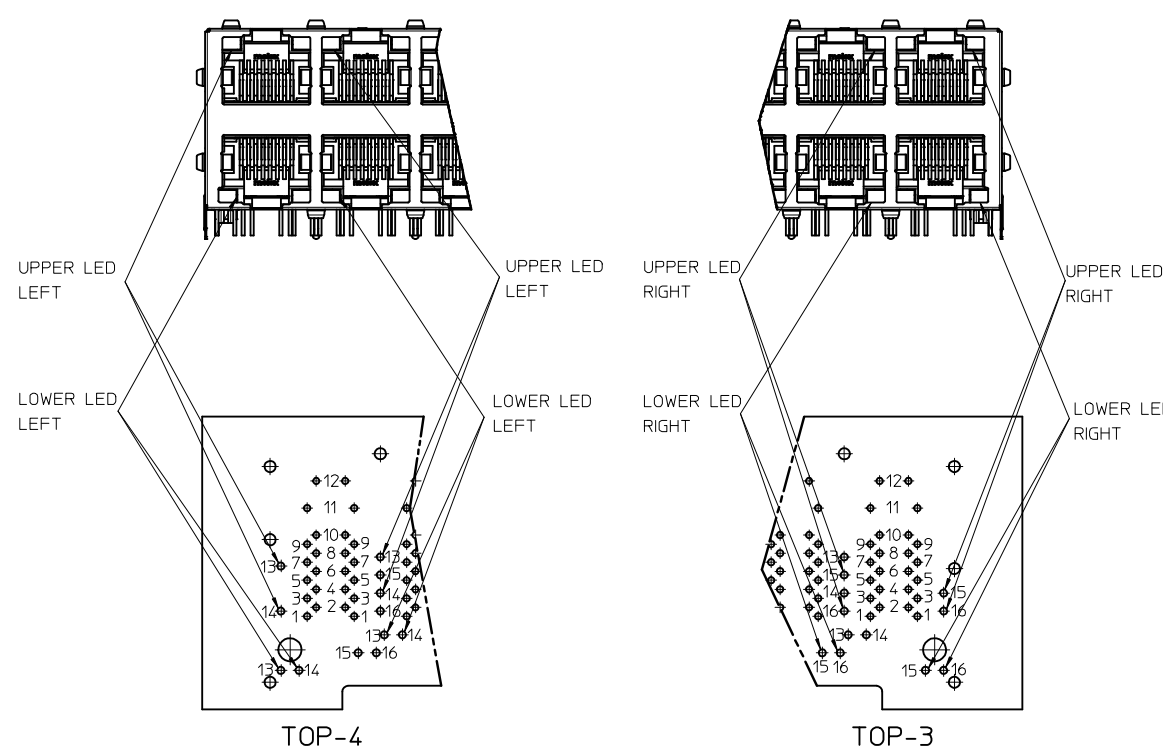


SUGGESTED PANEL CUT OUT



- NOTES:  
 1 - PRINTING MARKED BY LASER  
 2 - INSCRIPTION:  
 1st LINE: PART NUMBER  
 2nd LINE: DATE CODE (YEAR, MONTH, DAY)- MANUFACTURER ID - CONSECUTIVE NUMBER  
 3 - UL LOGO

INCH DIM DELETED	EC NO: 2015/01/15	QUALITY SYMBOLS	GENERAL TOLERANCES (UNLESS SPECIFIED)		DIMENSION STYLE MM ONLY		SCALE 2:1	DESIGN UNITS METRIC	THIRD ANGLE PROJECTION
	DRWN: JBADER	▽=0	4 PLACES ± --- ± ---	mm	INCH	DRAWN BY JBADER	DATE 2013/07/02	TITLE GIGABIT MAGNETIC JACK POE PLUS ENABLED 2X4 LED	
	CHKD: MMANGARUDOV	▽=0	3 PLACES ± --- ± ---			CHECKED BY MMANGARUDOV	DATE 2013/07/02		
	APPR: SSTEINKE		2 PLACES ± 0.25 ± ---			APPROVED BY SSTEINKE	DATE 2013/10/31	MOLEX INCORPORATED	
	DESCRIPTION	1 PLACE ± 0.5 ± ---	ANGULAR ± .5 °		MATERIAL NO. SEE SHEET 1		DOCUMENT NO. SD-85735-201	SHEET NO. 3 OF 4	
		DRAFT WHERE APPLICABLE MUST REMAIN WITHIN DIMENSIONS		THIS DRAWING CONTAINS INFORMATION THAT IS PROPRIETARY TO MOLEX INCORPORATED AND SHOULD NOT BE USED WITHOUT WRITTEN PERMISSION					



UPPER POSITION	LOWER POSITION	LEFT COLOUR	LED COLOUR
13	13	+	-
14	14	-	+

UPPER POSITION	LOWER POSITION	RIGHT COLOUR	LED COLOUR
15	15	+	-
16	16	-	+

POWER-SUPPLY POLARITY DEFINITION  
TO ACHIEVE PoE POWER ASSIGNMENT  
ACCORDING IEEE Std802.3-2012  
ALTERNATIVE A:

	MDI-X	MDI
PIN 11	Vc +	Vc -
PIN 12	Vc -	Vc +

PIN	ETHERNET MAGNETICS
1	TD 0+
2	TD 0-
3	TD 1+
4	TD 1-
5	TD 2+
6	TD 2-
7	TD 3+
8	TD 3-
9	Vcc
10	GND
11	PWR 3-6
12	PWR 1-2

<b>SCHEMATIC UPDATED</b> EC NO: 2015/01/15 DRWN: JBADER CHKD: MMANGARUDOV APPR: SSTEINKE DATE: 2015/01/15 DATE: 2015/07/08	QUALITY SYMBOLS ▽=0 ▽=0	GENERAL TOLERANCES (UNLESS SPECIFIED) <table border="1"> <tr> <th></th> <th>mm</th> <th>INCH</th> </tr> <tr> <td>4 PLACES</td> <td>± 0.15</td> <td>± 0.006</td> </tr> <tr> <td>3 PLACES</td> <td>± 0.20</td> <td>± 0.008</td> </tr> <tr> <td>2 PLACES</td> <td>± 0.25</td> <td>± 0.010</td> </tr> <tr> <td>1 PLACE</td> <td>± 0.5</td> <td>± 0.020</td> </tr> </table> ANGULAR ± .5°			mm	INCH	4 PLACES	± 0.15	± 0.006	3 PLACES	± 0.20	± 0.008	2 PLACES	± 0.25	± 0.010	1 PLACE	± 0.5	± 0.020	DIMENSION STYLE <b>MM ONLY</b>	SCALE <b>2:1</b>	DESIGN UNITS <b>METRIC</b>	THIRD ANGLE PROJECTION
			mm	INCH																		
4 PLACES	± 0.15	± 0.006																				
3 PLACES	± 0.20	± 0.008																				
2 PLACES	± 0.25	± 0.010																				
1 PLACE	± 0.5	± 0.020																				
DRAWN BY: JBADER DATE: 2013/07/02 CHECKED BY: MMANGARUDOV DATE: 2013/07/02 APPROVED BY: SSTEINKE DATE: 2013/10/31	TITLE <b>GIGABIT MAGNETIC JACK POE PLUS ENABLED 2X4 LED</b>		MATERIAL NO. <b>SEE SHEET 1</b> DOCUMENT NO. <b>SD-85735-201</b>																			

DRAFT WHERE APPLICABLE  
MUST REMAIN WITHIN DIMENSIONS

THIS DRAWING CONTAINS INFORMATION THAT IS PROPRIETARY TO MOLEX INCORPORATED AND SHOULD NOT BE USED WITHOUT WRITTEN PERMISSION