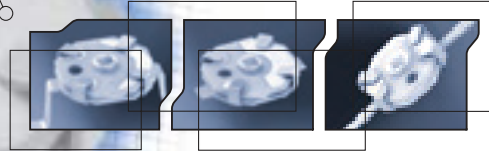
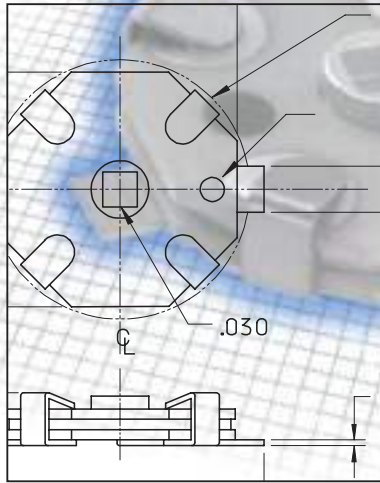


# THIN-TRIM

Our Thin-Trim capacitors are ideal for applications where size and performance are most critical. These single-turn capacitors exhibit remarkable electrical characteristics for their small size. Useful up to 2 GHz, these trimmers are perfect for low-profile applications.



## CHARACTERISTICS

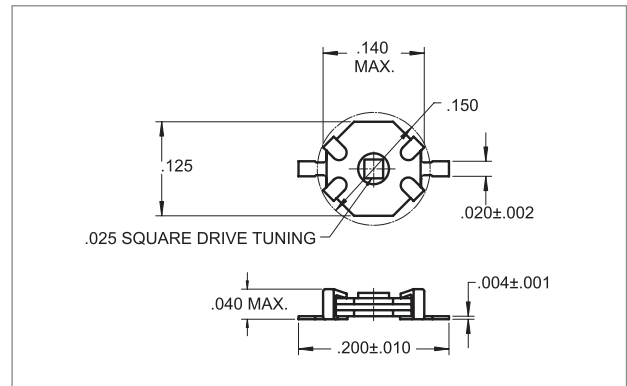
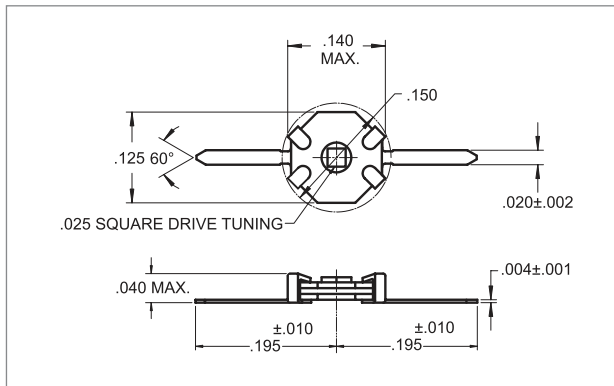
- Working Voltage: 250 VDC (500 VDC Test)
- Insulation Resistance:  $> 10^4 \text{ M}\Omega$
- Temperature Range:  $-55^\circ\text{C}$  to  $+125^\circ\text{C}$
- RoHS Compliant parts available

## APPLICATIONS

- RF amplifier
- LC Filters and Networks
- Broadband Wireless LAN
- Medical Devices
- Cordless and Cellular phones
- DR/Crystal Oscillator

SERIES	DISK SIZE	CAPACITANCE AVAILABLE	TUNING RESOLUTION
9401	.140" (3.56 mm)	.25 to 4.0 pF	90°
9402	.125" (3.18 mm)	.5 to 25 pF	180°
9410	.200" (5.08 mm)	1 to 50 pF	180°

## 9401 SERIES Tuning Tool: 4194

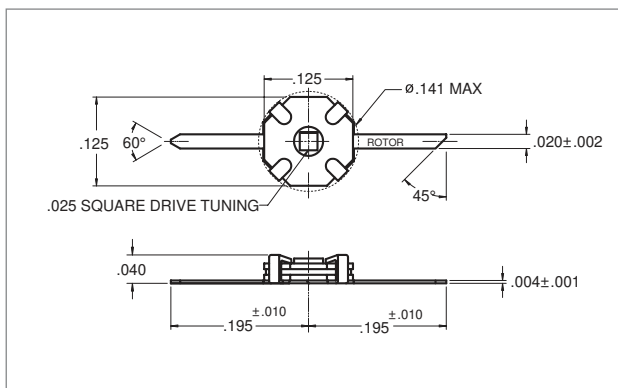


JMC P/N	JMC RoHS P/N	RANGE PF	MIN Q @ 100MHZ
9401-0	9701-0	0.25 TO 0.7	>1000
9401-1	9701-1	0.5 TO 1.3	>1000
9401-2	9701-2	0.6 TO 2.0	>1000
9401-4	9701-4	1.5 TO 4.0	>500

JMC P/N	JMC RoHS P/N	RANGE PF	MIN Q @ 100MHZ
9401-05L1	9701-05L1	0.25 TO 0.7	>1000
9401-15L1	9701-15L1	0.5 TO 1.3	>1000
9401-25L1	9701-25L1	0.6 TO 2.0	>1000
9401-45L1	9701-45L1	1.5 TO 4.0	>500

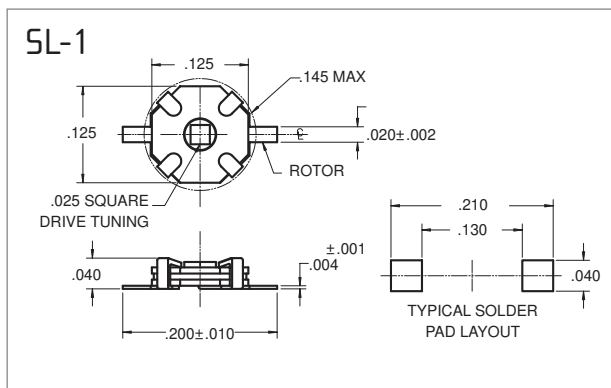
Available in Tape/Reel: 1500 per reel, add suffix R3

# 9402/9702 SERIES TUNING TOOL: 4194



JMC P/N	RANGE PF	MIN Q @ 100MHZ	
9402-0	9402-OSL-1	0.5 to 2.5	>3000
9402-1	9402-1SL-1	1.0 to 5.0	>1000
9402-2	9402-2SL-1	2.5 to 10.0	>1000
9402-4	9402-4SL-1	3.0 to 12.0	>500
9402-6	9402-6SL-1	6.0 to 25.0	>300
9402-8	9402-8SL-1	5.0 to 15.0	>750
9402-9	9402-9SL-1	5.0 to 18.0	>500

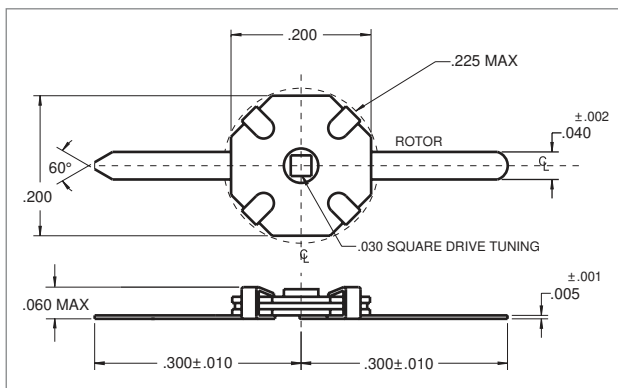
SL-1 AVAILABLE IN TAPE/REEL: 1500 PER REEL, ADD SUFFIX R3



ROHS	Pb	RANGE PF	MIN Q @ 100MHZ
9702-0	9702-OSL-1	0.5 to 2.5	>3000
9702-1	9702-1SL-1	1.0 to 5.0	>1000
9702-2	9702-2SL-1	2.5 to 10.0	>1000
9702-4	9702-4SL-1	3.0 to 12.0	>500
9702-6	9702-6SL-1	8.0 to 25.0	>300
9702-8	9702-8SL-1	5.0 to 15.0	>750
9702-9	9702-9SL-1	7.0 to 18.0	>500

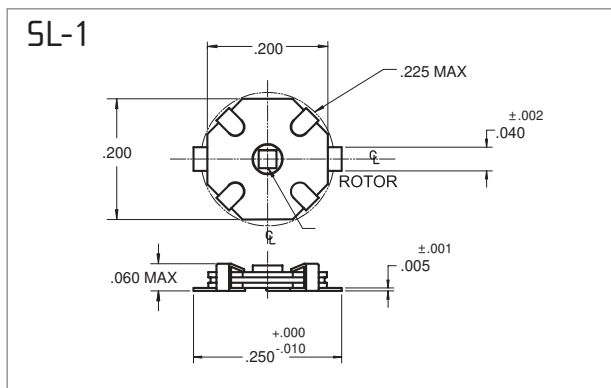
SL-1 AVAILABLE IN TAPE/REEL: 1500 PER REEL, ADD SUFFIX R3

# 9410/9710 SERIES TUNING TOOL: 4193



JMC P/N	RANGE PF	MIN Q @ 100MHZ	
9410-0	9410-OSL-1	1.0 to 4.5	>1000
9410-1	9410-1SL-1	2.5 to 10.0	>1000
9410-2	9410-2SL-1	4.0 to 18.0	>700
9410-3	9410-3SL-1	6.0 to 35.0	>200
9410-4	9410-4SL-1	7.0 to 40.0	>200
9410-5	9410-5SL-1	8.0 to 50.0	>250
9410-25	9410-25SL-1	5.0 to 25.0	>200

AVAILABLE IN TAPE/REEL: 3000 PER REEL, ADD SUFFIX R7



ROHS	Pb	RANGE PF	MIN Q @ 100MHZ
9710-0	9710-OSL-1	1.0 to 4.5	>1000
9710-1	9710-1SL-1	2.5 to 10.0	>1000
9710-2	9710-2SL-1	4.0 to 18.0	>700
9710-3	9710-3SL-1	6.0 to 35.0	>200
9710-4	9710-4SL-1	7.0 to 40.0	>200
9710-5	9710-5SL-1	10.0 to 50.0	>250
9710-25	9710-25SL-1	5.0 to 25.0	>200

AVAILABLE IN TAPE/REEL: 3000 PER REEL, ADD SUFFIX R7

