



- Ethernet based LAN, WAN and other networking applications
- Cw/w: 25PF TYP @ 100KHz, 200mV
- LL: 0.5μH Max @ 100KHz, 200mV
- DCR: 0.9Ω Max
- Operating Temp: -40°C to +85°C

Electrical Specifications @ 25°C

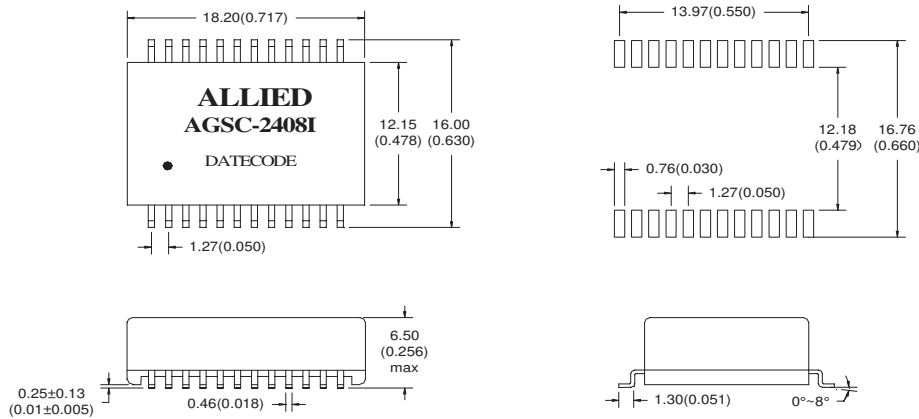
| Part Number | OCL(μH Min) @ 100kHz, 200mV | Turns Ratio chip: cable (±5%) | Insertion Loss (dB Max) | Return Loss (dB Min) | | | |
|-------------|--------------------------------|-------------------------------------|----------------------------|-------------------------|-------|-------|----------|
| | With 8mA DC Bias | | | 0.3-30MHz | 40MHz | 50MHz | 60-80MHz |
| AGSC-2408I | 350 | 1CT:1CT | -1.1 | -18 | -14.4 | -13.1 | -12 |

Electrical Specifications @ 25°C

| Part Number | Common Mode Rejection (dB Min) | | | Cross Talk (dB Min) | | Isolation HI-POT (Vrms) |
|-------------|-----------------------------------|-------|-----------|------------------------|-----------|-------------------------------|
| | 30MHz | 60MHz | 80-100MHz | 0.3-30MHz | 60-100MHz | |
| AGSC-2408I | -40 | -35 | -30 | -35 | -32 | 1500 |

All specifications subject to change without notice.

MECHANICAL



Dimensions: mm(inch)

Unless otherwise specified, all tolerances are ±0.25(0.010)

SCHEMATICS

