

10 9 8 7 6 5 4 3 2 1

F

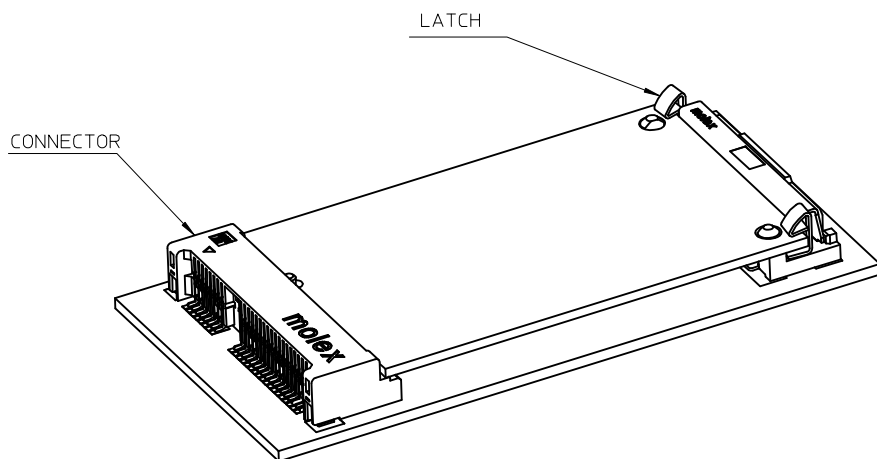
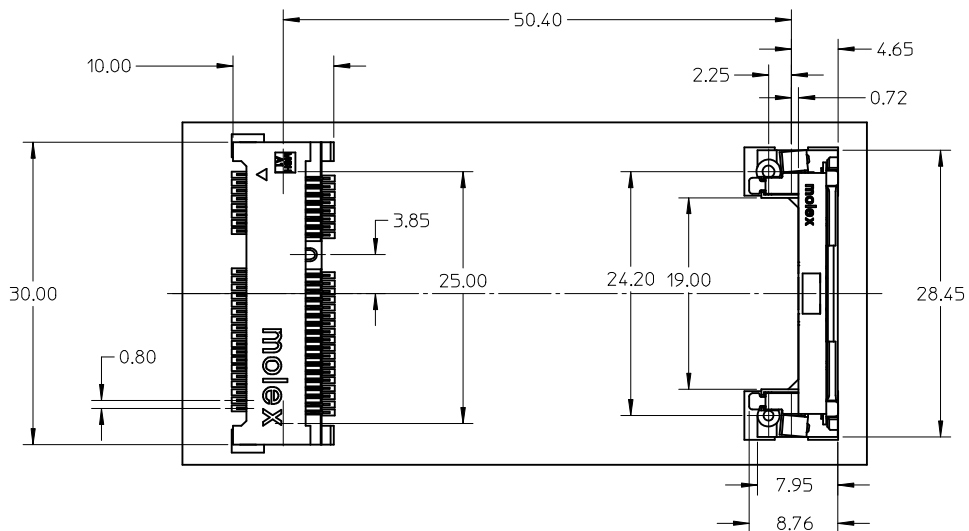
E

D

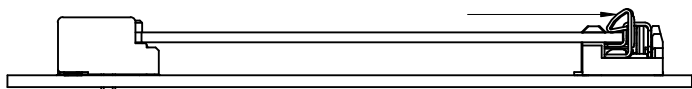
C

B

A



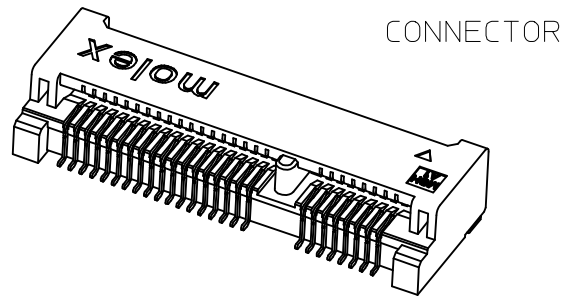
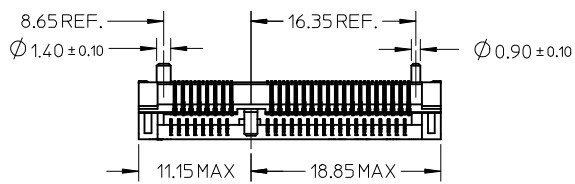
PUSH LATCH TO RELEASE MODULE



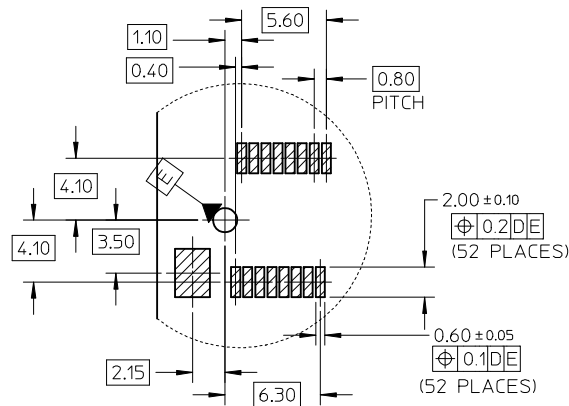
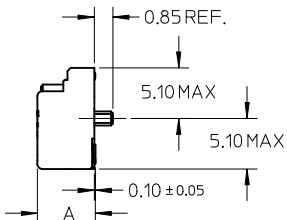
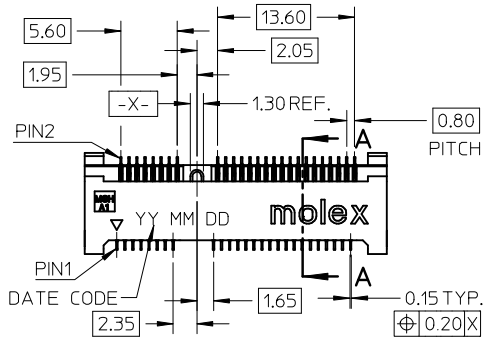
| | | | | |
|------------|-----------|------|-------------------|-----------------|
| 67910-5700 | 5.75 | 3.75 | 10 MICROINCH GOLD | |
| 67910-5701 | 5.75 | 3.75 | GOLD FLASH | |
| P/N | DIMENSION | A | B | CONTACT PLATING |

| | | | | | | |
|---|-----------------|--|---|------------------------------|---|----------------------------------|
| REVISED EC NO: SH2009-0388 DR: WINEZHAO CHKD: APPR: HWANG 2008/12/03 2008/12/04 2008/12/09 | QUALITY SYMBOLS | GENERAL TOLERANCES (UNLESS SPECIFIED) | DIMENSION STYLE | SCALE | DESIGN UNITS | THIRD ANGLE PROJECTION |
| | ▼=0 ◻=0 | mm INCH 4 PLACES ± --- ± --- 3 PLACES ± --- ± --- 2 PLACES ± 0.25 ± --- 1 PLACE ± 0.25 ± --- ANGULAR ± 3 ° | MM ONLY | 1:1 | METRIC | ☉ ◻ THIRD ANGLE PROJECTION |
| | DESCRIPTION | DRAFT WHERE APPLICABLE MUST REMAIN WITHIN DIMENSIONS | DRAWN BY DATE DAVID HU 2005/09/22 CHECKED BY DATE HARVEY 2005/10/26 APPROVED BY DATE GARY 2005/10/26 | TITLE | MINI PCI EXPRESS CONN. 0.8MM PITCH 52 CIRCUIT LEAD-FREE | |
| | REV | | SEE SHEET 1 | MATERIAL NO. DOCUMENT NO. | MOLEX INCORPORATED SD-67910-004 | SHEET NO. 1 OF 3 |

9 8 7 6 5 4 3 2 1

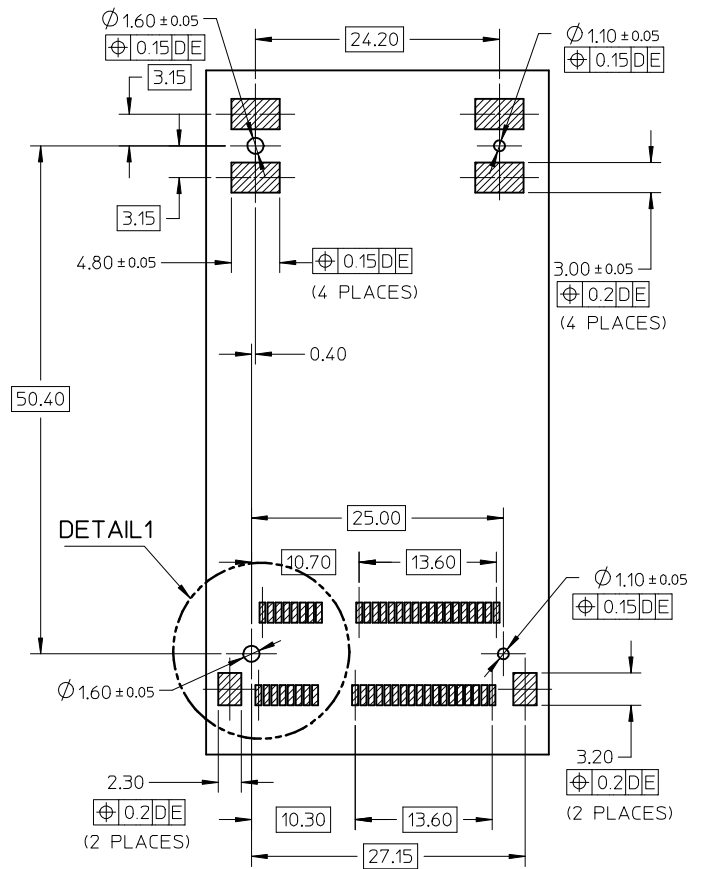


CONNECTOR



DETAIL 1

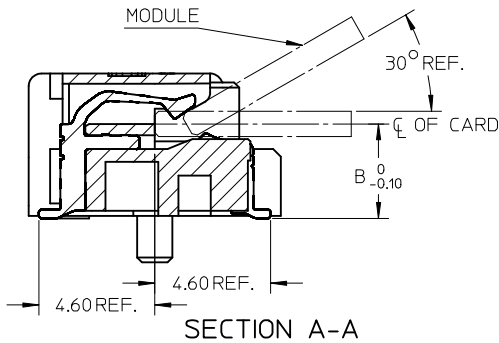
Scale 3:1



RECOMMENDED PCB LAYOUT

NOTES:

1. MATERIALS: HOUSING:LCP COLOR:BLACK UL94V-0
CONTACT:PHOSPHOR BRONZE
NAIL:BRASS
2. FINISH: CONTACT:SELECTIVE GOLD IN CONTACT AND SOLDER AREA
UNDERPLATED:NICKEL OVERALL
NAIL:TIN IN SOLDER AREA
UNDERPLATED:NICKEL OVERALL
3. THE MODULE CARD REFERENCE MINIPCI-E CARD
ELECTROMECHANICAL SPECIFICATION
4. DATUM D IS THE TOP OF SURFACE OF PCB
5. MATCHED LATCH 48099**** SERIES.
6. PART 67910**** COMPLIANT TO ROHS DIRECTIVE 2002/95/EC
AND ELV DIRECTIVE 2000/53/EC.

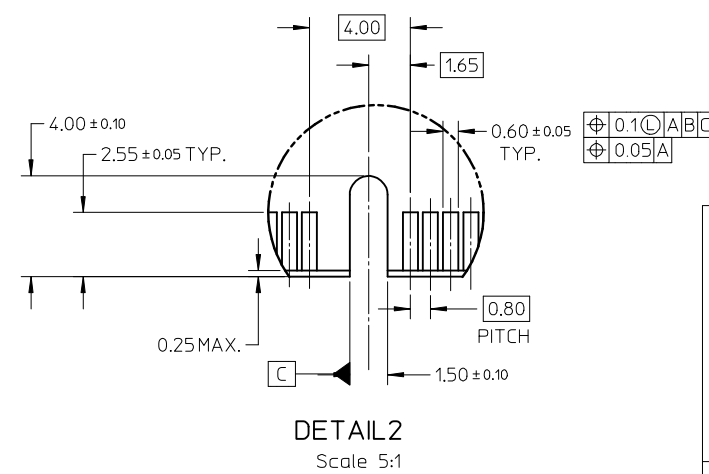
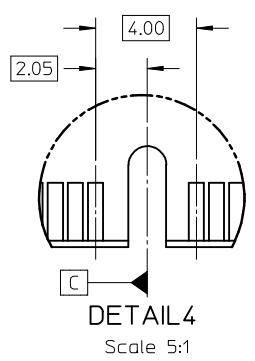
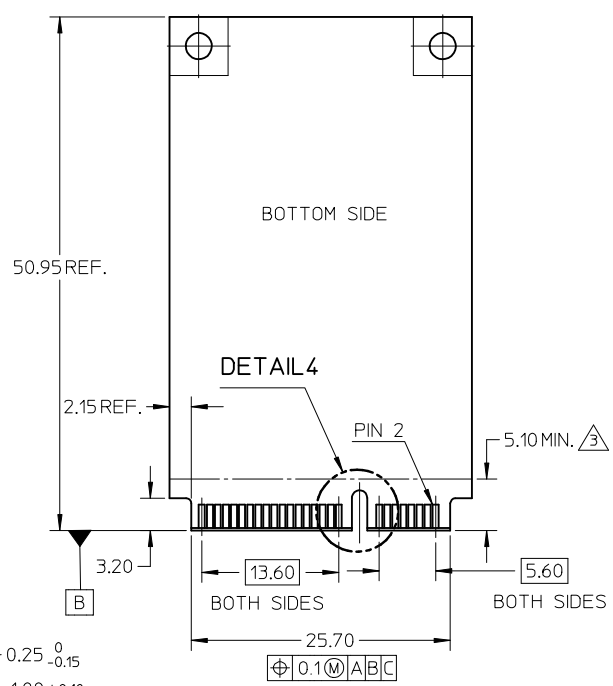
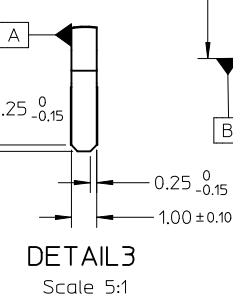
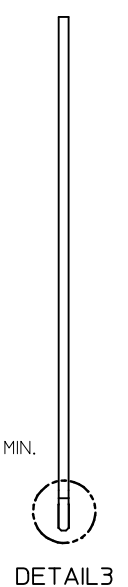
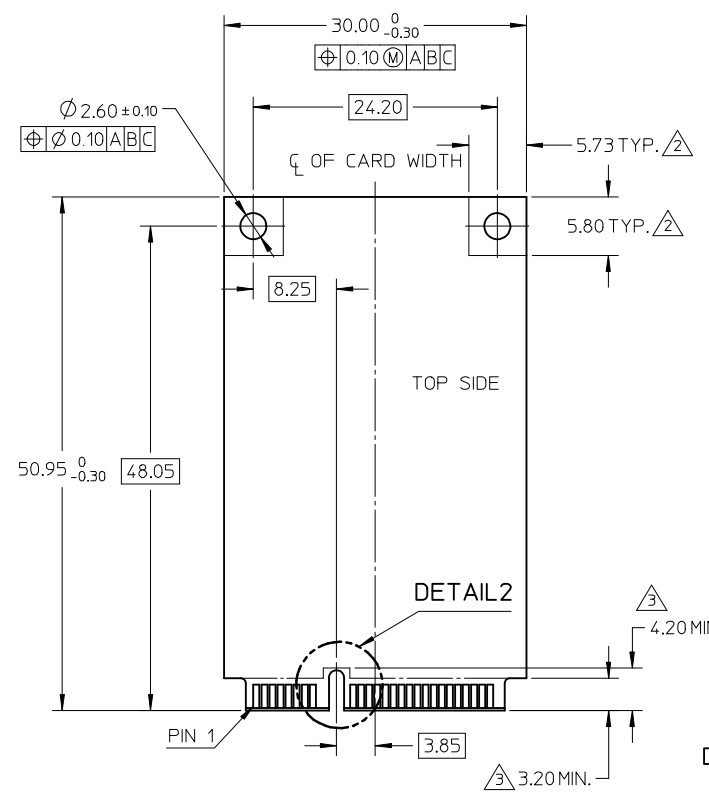


SECTION A-A

Scale 5:1

| | | | | | | |
|--|-----------------|---|---|------------------|---|------------------------|
| REVISED EC NO: SH2009-0388 DR: WINEZHAO CHKD: APPR: HAWANG 2008/12/03 2008/12/04 2008/12/09 | QUALITY SYMBOLS | GENERAL TOLERANCES (UNLESS SPECIFIED) | DIMENSION STYLE | SCALE | DESIGN UNITS | THIRD ANGLE PROJECTION |
| | ▼=0 ◻=0 | mm INCH 4 PLACES ± --- ± --- 3 PLACES ± --- ± --- 2 PLACES ± 0.25 ± --- 1 PLACE ± 0.25 ± --- ANGULAR ± 3 ° | MM ONLY | 1:1 | METRIC | |
| | | | DRAWN BY DATE | TITLE | MINI PCI EXPRESS CONN. 0.8MM PITCH 52 CIRCUIT LEAD-FREE | |
| | | | CHECKED BY DATE | | MOLEX INCORPORATED DOCUMENT NO. SD-67910-004 | |
| | | APPROVED BY DATE | | SHEET NO. 2 OF 3 | | |
| | | MATERIAL NO. | THIS DRAWING CONTAINS INFORMATION THAT IS PROPRIETARY TO MOLEX INCORPORATED AND SHOULD NOT BE USED WITHOUT WRITTEN PERMISSION | | | |

NOTES,
 1. PIN NUMBERING REFERENCE:
 ODD PINS-TOP SIDE
 EVEN PINS-BOTTOM SIDE
 2. COMPONENT AND ROUTING(ALL LAYERS)
 KEEP OUT AREA FOR HOLD DOWN SOLUTIONS
 3. COMPONENT KEEP OUT AREA FOR CONNECTOR



| | | | | | | | | | |
|--|-------------------------------|--|-------|------------------------------|--------------------|--|------------------------|------------------------------|--|
| REVISED EC NO: SH2009-0388 DRW:ZHAO CHKD: APPR:HWANG | QUALITY SYMBOLS ▽=0 ◻=0 | GENERAL TOLERANCES (UNLESS SPECIFIED) | | DIMENSION STYLE MM ONLY | | SCALE 1:1 | DESIGN UNITS METRIC | THIRD ANGLE PROJECTION | |
| | | mm | INCH | DRAWN BY DAVID HU | DATE 2005/09/22 | TITLE MINI PCI EXPRESS CONN. 0.8MM PITCH 52 CIRCUIT LEAD-FREE | | | |
| | | 4 PLACES ± --- | ± --- | CHECKED BY HARVEY | DATE 2005/10/26 | APPROVED BY GARY | | | |
| | | 3 PLACES ± --- | ± --- | DATE 2005/10/26 | | MATERIAL NO. SEE SHEET 1 | | | |
| 2 PLACES ± 0.25 | ± --- | ANGULAR ± 3 ° | | DOCUMENT NO. SD-67910-004 | | SHEET NO. 3 OF 3 | | MATERIAL NO. SD-67910-004 | |
| 1 PLACE ± 0.25 | ± --- | DRAFT WHERE APPLICABLE MUST REMAIN WITHIN DIMENSIONS | | SIZE A3 | | THIS DRAWING CONTAINS INFORMATION THAT IS PROPRIETARY TO MOLEX INCORPORATED AND SHOULD NOT BE USED WITHOUT WRITTEN PERMISSION | | | |