

NOTES:

1.0 ELECTRICAL SPECIFICATIONS:

1.1 FREQUENCY RANGE: 6.0 to 18.0 GHz

1.2 INSERTION LOSS:

(0.24 + 0.02*f [GHz])dB MAX,
(0.36dB AT 6 GHz, 0.60dB AT 18 GHz)

(WHEN REFERENCED TO 3.0dB
NOMINAL POWER DIVISION LOSS)

1.3 ISOLATION: 18dB MIN.

1.4 VSWR: 1.50:1 MAX.

1.5 OUTPUT UNBALANCE:

1.5.1 AMPLITUDE: 0.3dB MAX.

1.5.2 PHASE: 5° MAX.

1.6 MAX. INPUT POWER: 3.0 WATTS, WITH ALL
OUTPUTS TERMINATED BY LOADS WITH
VSWR < 2.0:1

1.7 STORAGE TEMP. RANGE: -65°C to +125°C

1.8 OPERATING TEMP. RANGE: -54°C to +125°C

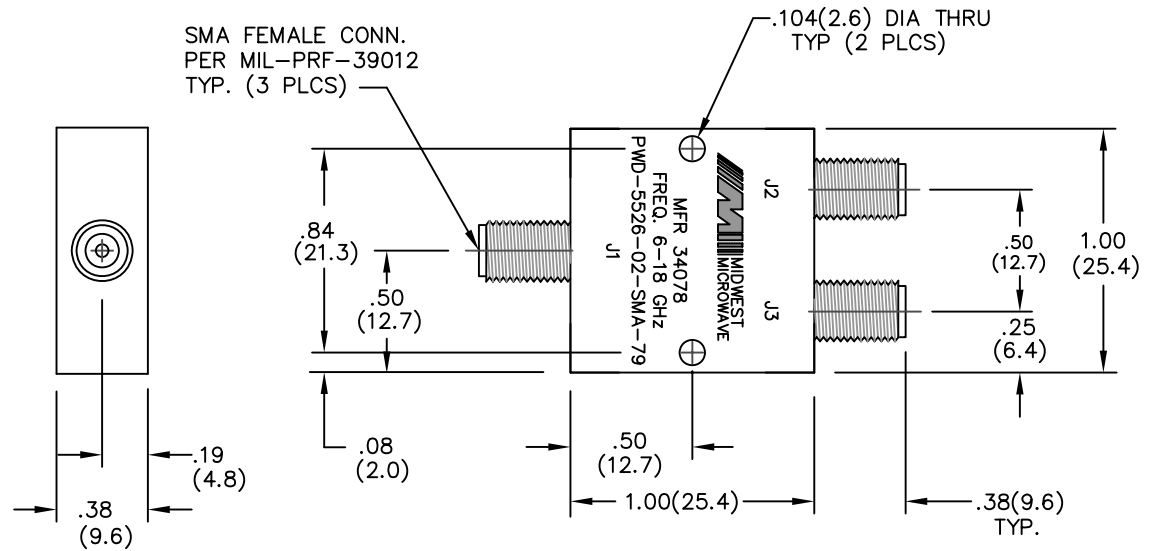
2.0 WEIGHT: 27 GRAMS (1.0 Oz.)

3.0 FINISHING:

3.1 GREY OVER MIL-E-15090 TYPE II, CLASS 2
OVER MIL-C-5541 CLASS 3A
MEETS MIL-F-14072
MEETS MIL-E-5400

3.2 MARKING: MARK UNIT AS SHOWN
USING BLUE INK
(REF.: SLK-09421-82-03)

4.0 DIMENSIONS IN PARENTHESIS ARE
IN MILLIMETERS.



MODEL NUMBER
PWD-5526-02-SMA-79

REV.	DESCRIPTION	DATE
-	RELEASED	4/21/92
A	ECN 18740	9/20/02
B	ECN 18891	6/16/04

NOTICE: The information contained in this drawing is proprietary and must not be used without the permission of Emerson Network Power.

UNLESS OTHERWISE NOTED DIMENSIONS ARE IN INCHES AND TOLERANCES ARE:

3 PLACE DECIMALS ±.005
2 PLACE DECIMALS ±.02
FRACTIONS ±1/64
PARALLELITY: T.I.R. _____
FLATNESS: T.I.R. _____
CONCENTRICITY: T.I.R. _____
ANGLES AND PERPENDICULARITY: ±1'

CAGE CODE 34078		MIDWEST MICROWAVE	
		TITLE POWER DIVIDER OUTLINE DRAWING	
		DRAWING NUMBER PWD-5526-02-SMA-79-01	REV. B
DRAWN/DATE A.BEATTY 4/7/92 CHECKED/DATE A.OSGA 4/7/92	ENG./DATE P.GOODMAN 4/17/92 APPROVED/DATE	SCALE: 5=1	SHEET 1 of 1