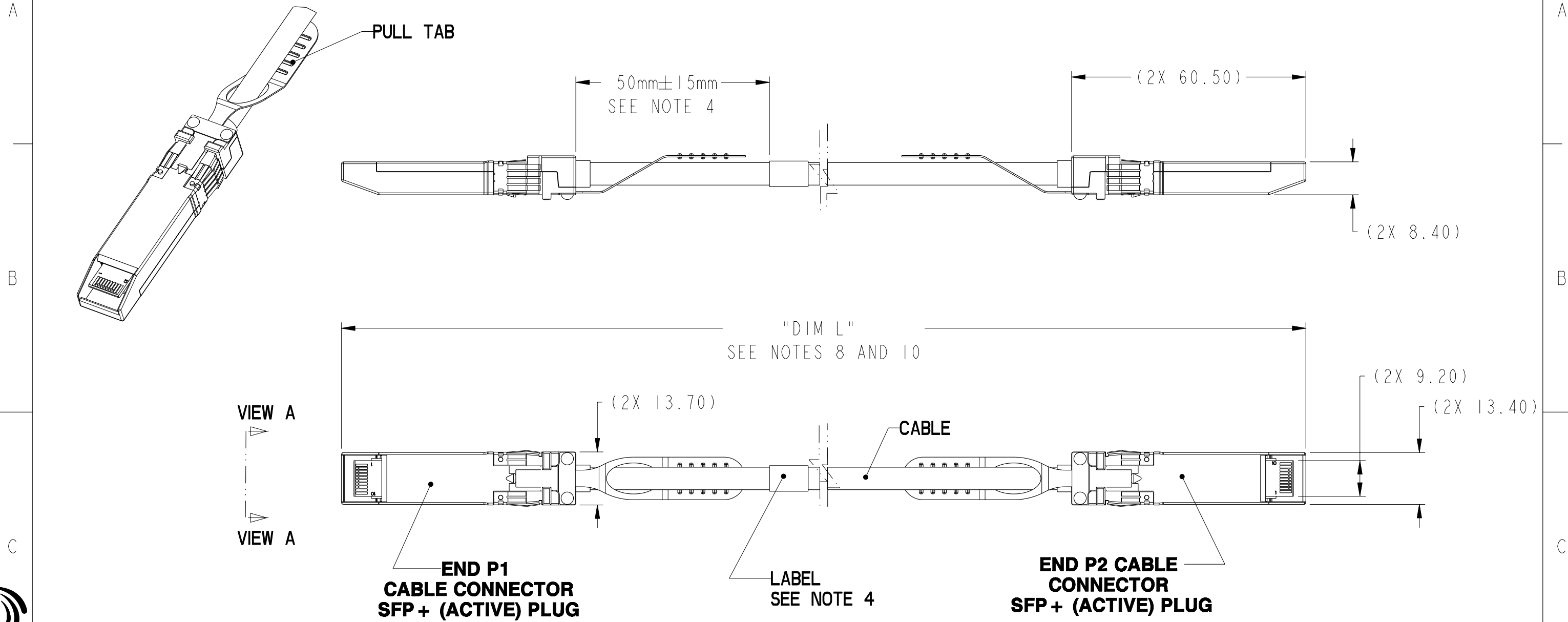


| Product number | DESCRIPTION | NOTES |
|-------------------|-------------------|------------|
| 10110819-XXXXLF | NON-HF | SEE SHT. 2 |
| 10110819-XXXXHFLF | HALOGEN FREE (HF) | SEE SHT. 2 |




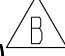
Copyright FCI.

| rev | ecn no | dr | date |
|-----|----------|-----|------------|
| A | V10-0242 | DHL | 2010-07-19 |
| B | V10-0361 | DAI | 2010-09-16 |
| - | - | - | - |
| - | - | - | - |
| - | - | - | - |
| - | - | - | - |

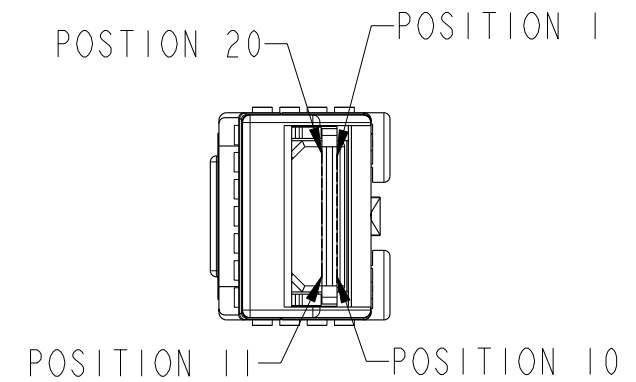
| | | | | | |
|--------------------|-------------|---------------------------------------|---------------------------|------------|--------------|
| www.fciconnect.com | | surface - ✓ | tolerance std | projection | mm |
| | | TOLERANCES UNLESS OTHERWISE SPECIFIED | | | ←→ |
| Dr | D. INGRAM | 2009-12-15 | ANGULAR | 0.X | ±0.3 |
| Eng | B. BRUBAKER | 2009-12-15 | LINEAR | 0.XX | ±0.10 |
| Chr | B. BRUBAKER | 2009-12-15 | 0° ±2° | 0.XXX | ±0.050 |
| Appr | B. BRUBAKER | 2009-12-15 | Product family | SFP+ | Spec ref |
| FCI | | | FINAL ASSEMBLY - STANDARD | | dwg no |
| | | | SFP+ (ACTIVE) ASSEMBLY | | 10110819 |
| | | | catalog no | CUSTOMER | sheet 1 of 3 |

REV F - 2006-04-17

| PART NUMBER  | LENGTH (Meters) "DIM L" | AWG | NOTES |
|--|----------------------------|-----|---------|
| 10110819-2010LF | 1.0 | 30 | NOTE 11 |
| 10110819-2030LF | 3.0 | 30 | NOTE 11 |
| 10110819-2050LF | 5.0 | 30 | NOTE 11 |
| 10110819-2070LF | 7.0 | 30 | NOTE 11 |
| 10110819-2080LF | 8.0 | 30 | NOTE 11 |
| 10110819-3100LF | 10.0 | 28 | NOTE 11 |
| 10110819-5100LF | 10.0 | 24 | NOTE 11 |

| PART NUMBER  (HALOGEN FREE) | LENGTH (Meters) "DIM L" | AWG | NOTES |
|---|----------------------------|-----|--------|
| 10110819-2010HFLF | 1.0 | 30 | NOTE 5 |
| 10110819-2030HFLF | 3.0 | 30 | NOTE 5 |
| 10110819-2050HFLF | 5.0 | 30 | NOTE 5 |
| 10110819-2070HFLF | 7.0 | 30 | NOTE 5 |
| 10110819-2080HFLF | 8.0 | 30 | NOTE 5 |
| 10110819-3100HFLF | 10.0 | 28 | NOTE 5 |
| 10110819-5100HFLF | 10.0 | 24 | NOTE 5 |

| WIRING LIST | | | | |
|-------------|--------|--------|----------|--------|
| END P1 | | | END P2 | |
| POSITION | SYMBOL | | POSITION | SYMBOL |
| 12 | RD- | ←----- | 19 | TD- |
| 13 | RD+ | ←----- | 18 | TD+ |
| 18 | TD+ | -----→ | 13 | RD+ |
| 19 | TD- | -----→ | 12 | RD- |



VIEW A (P1)
SCALE 2:1

| LOW SPEED SIGNALS P1 & P2 | |
|------------------------------|------------|
| END P1 | |
| POSITION | SYMBOL |
| 1 | VeeT |
| 2 | TX_Fault |
| 3 | Tx_Disable |
| 4 | MOD_DEF(2) |
| 5 | MOD_DEF(1) |
| 6 | MOD_DEF(0) |
| 7 | RateSelect |
| 8 | LOS |
| 9 | VeeR |
| 10 | VeeR |
| 11 | VeeR |
| 14 | VeeR |
| 15 | VccR |
| 16 | VccT |
| 17 | VeeT |
| 20 | VeeT |



Copyright FCI.

| | | | | | | |
|---|------------|---------------------------|----------|--------------|------|---|
|  | title | FINAL ASSEMBLY - STANDARD | dwg no | 10110819 | Rev. | B |
| | | SFP+ (ACTIVE) ASSEMBLY | | | | |
| | catalog no | - | CUSTOMER | sheet 2 of 3 | | |

| Product number | DESCRIPTION | NOTES |
|-------------------|-------------------|------------|
| 10110819-XXXXLF | NON-HF | SEE SHT. 2 |
| 10110819-XXXXHFLF | HALOGEN FREE (HF) | SEE SHT. 2 |

NOTES:

1 - MATERIAL:
 BACKSHELLS: ZINC ALLOY/ COPPER UNDERPLATE/ NICKEL OVERPLATE
 PULL TAB: THERMOPLASTIC POLYMER
 RELEASE SPRING: STAINLESS STEEL
 EMI GASKET: STAINLESS STEEL
 COLLET: BRASS
 SCREWS: STAINLESS STEEL
 PADDLE CARD: PRINTED CIRCUIT SUBSTRATE
 JET MELT: POLYIMIDE POLYMER

2 - THIS PRODUCT MEETS THE RESTRICTION OF HAZARDOUS SUBSTANCES IN ELECTRICAL AND ELECTRONIC EQUIPMENT (RoHS) DIRECTIVE (2002/95/EC)

3 - IMPEDANCE: 100 OHMS DIFFERENTIAL.

4 - UNLESS OTHERWISE SPECIFIED LABEL POSITION IS TO BE 50mm FROM REAR OF CONNECTOR.
 LABEL DETAILS:
 MANUFACTURER CODE OR NAME COUNTRY ORIGIN
 FCI P/N
 REVISION
 DATE CODE (YY/MM/DD FORMAT) - SERIAL NUMBER

FONT SHALL BE CLEARLY VISIBLE AND BLACK IN COLOR.

5 - "HF" PRODUCT NUMBERS DESIGNATE THE USE OF HALOGEN FREE RAW CABLE.

6 - CONFORMS TO FCI PRODUCT SPECIFICATION: GS-12-616.

7 - PACKAGING OF LEAD FREE PRODUCTS MEETS LABELING AND PACKAGING PER SPECIFICATION GS-14-920. PACKAGE CABLE ASSEMBLIES PER GS-14-1272.

8 - THIS DIMENSION IS A FINISHED PRODUCT LENGTH.

9. A "△" SYMBOL WILL BE NEXT TO ANY DIMENSION, VIEW, OR NOTE WHICH HAS BEEN MODIFIED WITH THE CURRENT DRAWING REVISION. THE CURRENT REVISION WILL BE SHOWN IN THE SYMBOL.

△ 10 - UNLESS OTHERWISE SPECIFIED ASSEMBLED LENGTH TOLERANCE IS TO BE:
 < 1 METER = ±25.0mm
 > 1 METER TO 10 METERS = ±2% OF "DIM L"

11 - HALOGEN FREE RAW CABLE CAN BE USED AS A SUBSTITUTE ON NON-HF PRODUCT NUMBERS.



Copyright FCI.

| | | | |
|--|---|-----------------|--------------|
| | title FINAL ASSEMBLY - STANDARD SFP+ (ACTIVE) ASSEMBLY | dwg no 10110819 | Rev. B |
| | catalog no - | CUSTOMER | sheet 3 of 3 |