

SAW Filter 443.0MHz
Part No: MP05895

Model: TA1634A
Rev No: 1

A. MAXIMUM RATING:

Electrostatic Sensitive Device (ESD)

1. Input Power Level: 10dBm
2. DC Voltage: 3V
3. Operating Temperature: -40°C to +85°C
4. Storage Temperature: -40°C to +85°C

B. ELECTRICAL CHARACTERISTICS:

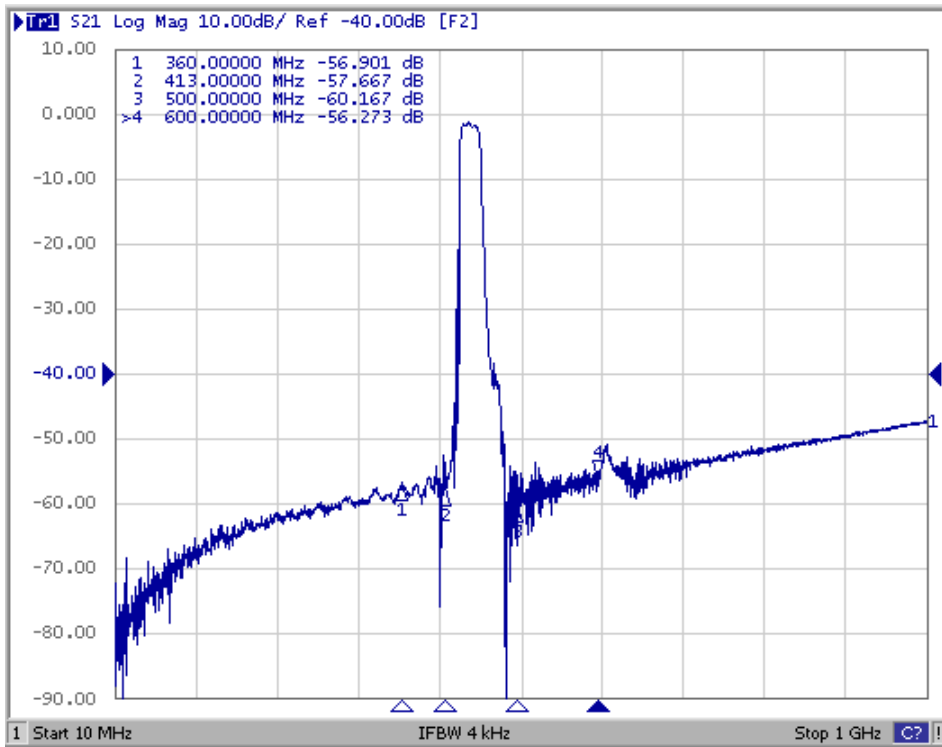
Item	Unit	Min.	Typ.	Max.
Center frequency Fc MHz		-	443	-
1dB Bandwidth MHz	dB	-	20.5	-
3dB Bandwidth MHz	dB	20	24.1	-
Insertion loss 433 ~ 453MHz	dB	-	1.8	3.0
Attenuation (reference from 0dB)				
10 ~ 360MHz	dB	50	56	-
360 ~ 413MHz	dB	47	54	-
500 ~ 600MHz	dB	47	53	-
600 ~ 1000MHz	dB	43	48	-
Source impedance Z _S	Ω	-	50	-
Load impedance Z _L	Ω	-	50	-

SAW Filter 443.0MHz
Part No: MP05895

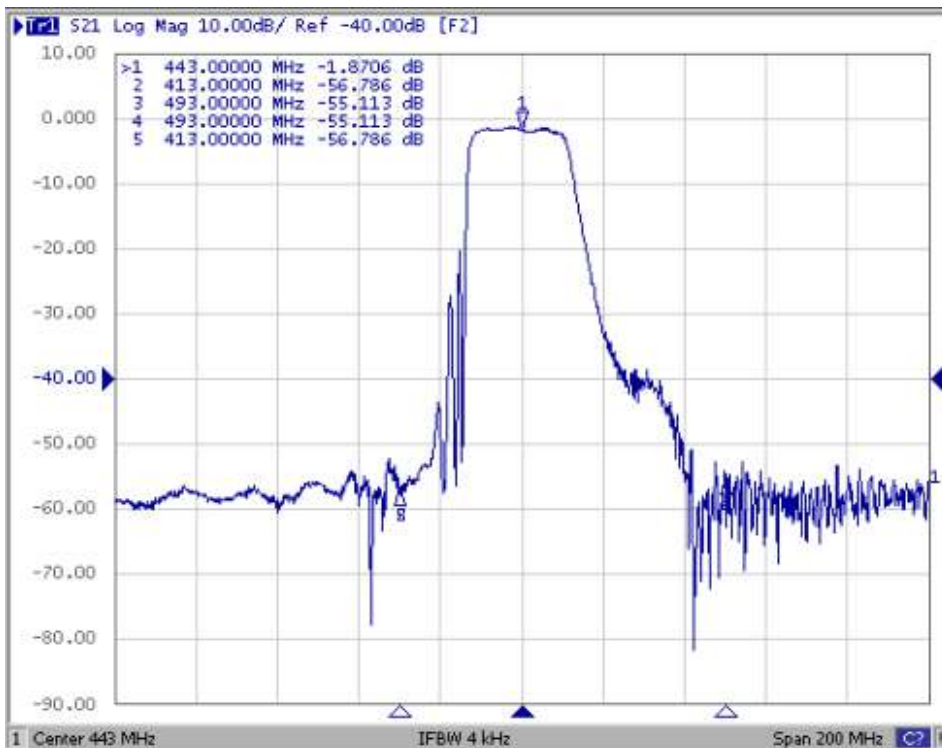
Model: TA1634A
Rev No: 1

C. FREQUENCY CHARACTERISTICS:

1. Wideband response: (span 1GHz)



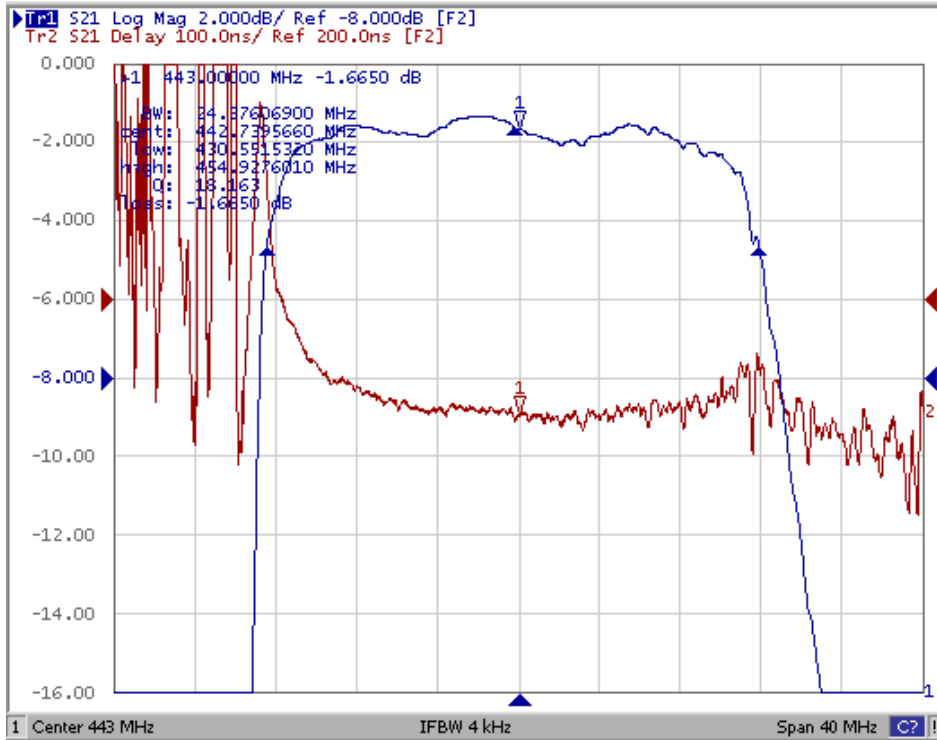
2. S21 response: (span 200MHz)



SAW Filter 443.0MHz
Part No: MP05895

Model: TA1634A
Rev No: 1

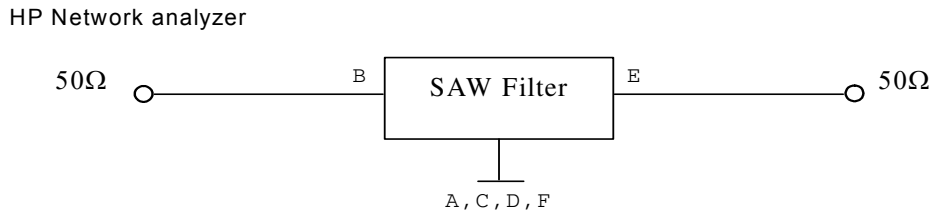
3. Passband response: (span 40MHz)



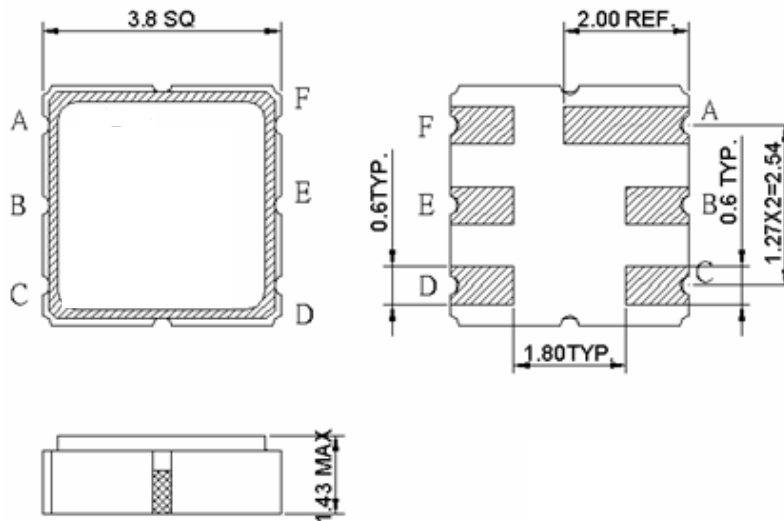
SAW Filter 443.0MHz
Part No: MP05895

Model: TA1634A
Rev No: 1

D. MEASUREMENT CIRCUIT:



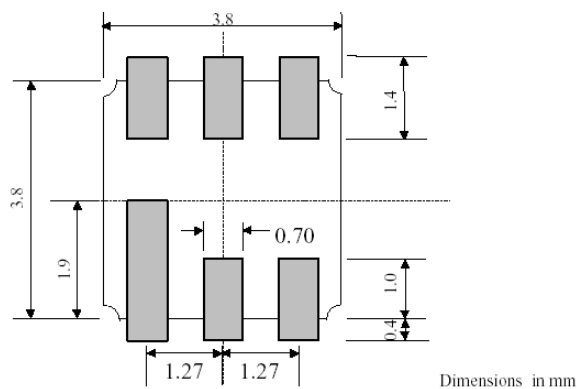
E. OUTLINE DRAWING:



B : Input
 E: Output
 A,C,D,F Ground

Unit: mm

F. PCB FOOTPRINT:

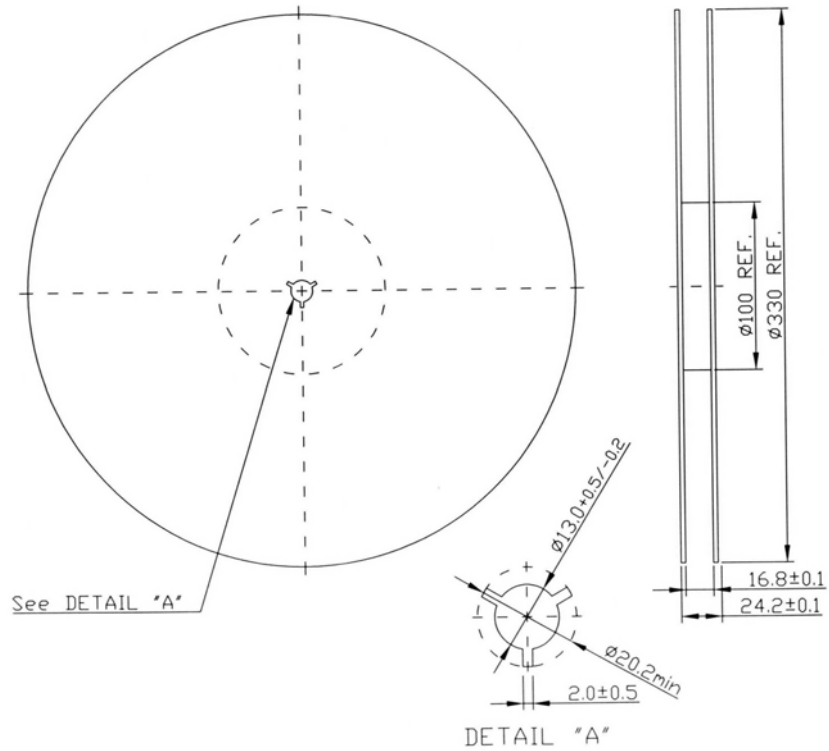


SAW Filter 443.0MHz
Part No: MP05895

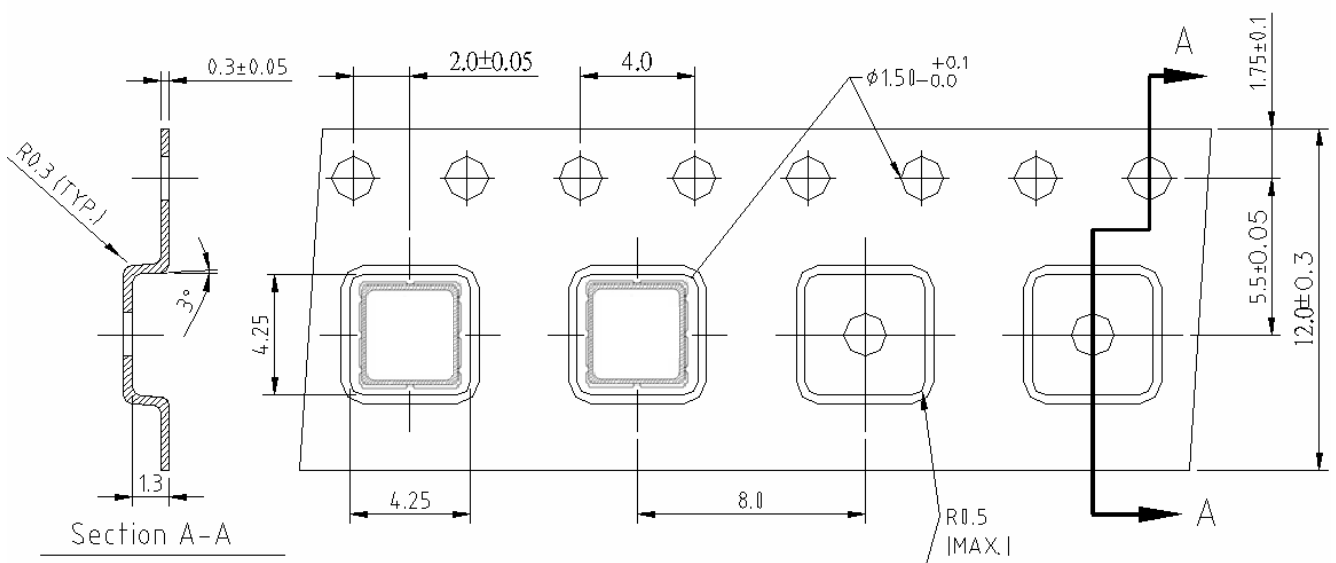
Model: TA1634A
Rev No: 1

G. PACKING:

1. Reel Dimension (Please refer to FR-75D10 for packing quantity)



2. Tape Dimension



SAW Filter 443.0MHz
Part No: MP05895

Model: TA1634A
Rev No: 1

H. RECOMMENDED REFLOW PROFILE:

