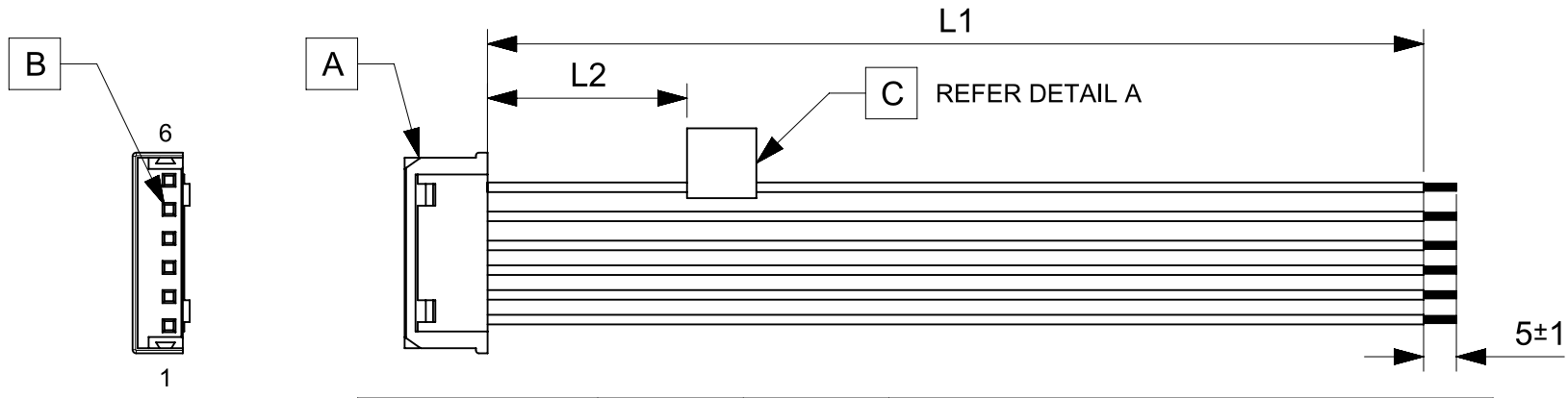


| ITEM | PART# | DESCRIPTION | QTY | UOM |
|------|-----------|---|-----|-----|
| A | 510650600 | Micro-Latch 2.0 Rec Housing 6P | 1 | PC |
| B | 503728000 | Micro-Latch 2.0 Crimp R Term Tin #22-26 | 6 | PC |
| C | -- | PAPER PRINTED PAPER WHITE (S100X150YAJ) | 1 | PC |

| FROM | TO | DESCRIPTION | COLOR |
|------|----|--------------------------------|-------|
| A1 | -- | 1X22AWG DISC SR-PVC BK UL10002 | BLACK |
| A2 | -- | 1X22AWG DISC SR-PVC BK UL10002 | BLACK |
| A3 | -- | 1X22AWG DISC SR-PVC BK UL10002 | BLACK |
| A4 | -- | 1X22AWG DISC SR-PVC BK UL10002 | BLACK |
| A5 | -- | 1X22AWG DISC SR-PVC BK UL10002 | BLACK |
| A6 | -- | 1X22AWG DISC SR-PVC BK UL10002 | BLACK |



| TABLE | | | |
|-------------|-------|----------|--|
| PART NUMBER | L1 | L2 (REF) | TITLE |
| 2196791060 | 50±3 | 15 | Micro Latch 2.0 R-S 6ckt 50mm disc Sn |
| 2196791061 | 100±3 | 15 | Micro Latch 2.0 R-S 6ckt 100mm disc Sn |
| 2196791062 | 150±4 | 15 | Micro Latch 2.0 R-S 6ckt 150mm disc Sn |
| 2196791063 | 300±4 | 15 | Micro Latch 2.0 R-S 6ckt 300mm disc Sn |
| 2196791064 | 600±6 | 15 | Micro Latch 2.0 R-S 6ckt 600mm disc Sn |

NOTES

1. Connector view shown is from mating side.
2. Label text must be 2mm max. in height with Arial font.
3. Label must be wrapped in Flag type on a single cable.
4. Free ends must be stripped, twisted & tinned. The length of tinning is 5±1mm. Tinning Dia must be 0.9 mm Max.

MOLEX P/N
MOLEX
BATCH WK/YR
DETAIL A

| REVISION | | | |
|------------|-----|-----------------|---------|
| DATE | REV | DESCRIPTION | CHANGER |
| 2022/02/27 | A | INITIAL RELEASE | SAIKIG |

| | | | | | | | |
|---|---|------------------------------|---------------------------------------|--------------------------------------|-------------------|----------------|--------------|
| FUNCTIONAL SYMBOLS $\frac{E}{A} = 0$ $\frac{E}{E} = 0$ $\frac{E}{P} = 0$ DIVISIONAL SYMBOLS | THIS DRAWING CONTAINS INFORMATION THAT IS PROPRIETARY TO MOLEX ELECTRONIC TECHNOLOGIES, LLC AND SHOULD NOT BE USED WITHOUT WRITTEN PERMISSION | | CURRENT REV DESC: | | SEE TABLE | | |
| | DIMENSION UNITS | SCALE | GENERAL TOLERANCES (UNLESS SPECIFIED) | | | | |
| | mm | NTS | ANGULAR TOL ± ° | | | | |
| | 4 PLACES ± | | EC NO: 697300 | | | | |
| 3 PLACES ± | | DRWN: SAIKIG 2022/02/21 | | PRODUCT CUSTOMER DRAWING | | | |
| 2 PLACES ± | | CHK'D: MNARAYAN01 2022/03/08 | | | | | |
| 1 PLACE ± | | APPR: MNARAYAN01 2022/03/08 | | DOCUMENT NUMBER 2196791060 | | | |
| 0 PLACES ± | | INITIAL REVISION: | | | | | |
| DRAFT WHERE APPLICABLE MUST REMAIN WITHIN DIMENSIONS | | THIRD ANGLE PROJECTION | DRAWING | SERIES | DOC TYPE | DOC PART | REVISION |
| | | | A4-SIZE | 219679 | PSD | 000 | A |
| | | | | | MATERIAL NUMBER | CUSTOMER | SHEET NUMBER |
| | | | | | SEE TABLE | GENERAL MARKET | 1 OF 1 |