

## General Specifications

### Motor Protection:

Auto Restart

### Insulation Resistance:

10M  $\Omega$  or over with a DC500V Megger

### Dielectric Withstand Voltage: AC 700V 1s

### Allowable Ambient Temperature Range:

-40°C ~ +40°C (Operating)

-40°C ~ +70°C (Storage)

(non-condensing environment)

## Expected Life

-20°C 70,000 Hours (L10)

## Material

Casing : Plastic (Black) UL94V-0

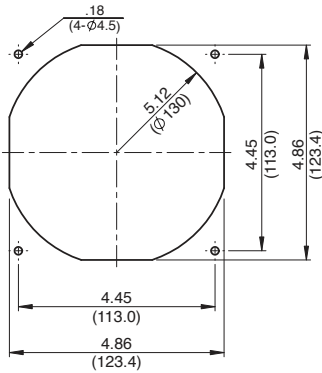
Impeller : Plastic (Green) UL94VHB

Bearing : Ball Bearing

Lead Wire : UL1007, AWG26, +Red, -Black

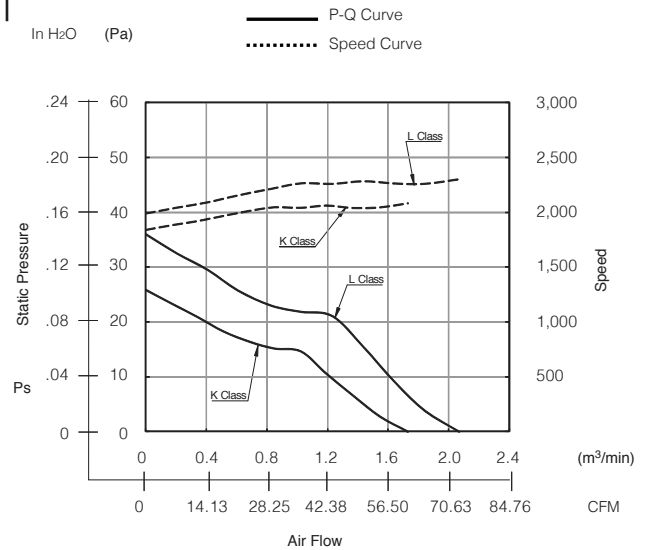
## Panel Cut-Outs

Units:  $\frac{\text{inch}}{\text{mm}}$

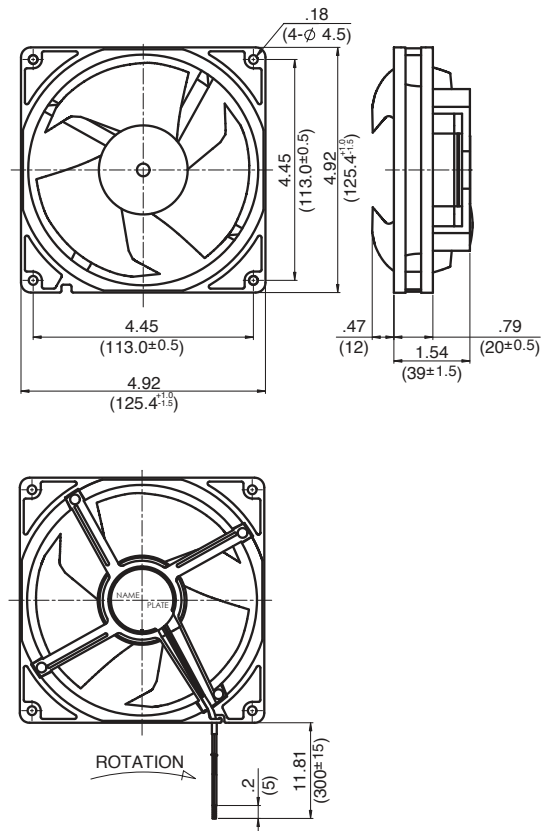


INLET SIDE

## Characteristic Curves



## Outline



## Specifications

MODEL	Rated Voltage	Operating Voltage	Current	Input Power	Speed	Max. Air Flow		Max. Static Pressure		Noise	Mass
	(V)	(V)	(A) <sup>*1</sup>	(W) <sup>*1</sup>	(min <sup>-1</sup> ) <sup>*1</sup>	CFM <sup>*1</sup>	(m³/min) <sup>*1</sup>	in H <sub>2</sub> O	(Pa) <sup>*1</sup>	(dB) <sup>*1</sup>	(g)
12539JE-12K-BA-F0	12	7.0 ~ 14.0	0.16	1.92	2080	62.15	1.76	.10	25.4	32.0	190
12539JE-12L-BA-F0	12	7.0 ~ 13.2	0.24	2.88	2300	74.87	2.12	.15	36.3	34.0	190

Rotation: Clockwise

Airflow Outlet: Air Out Over Struts

\*1: Average Values in Free Air

Note: PWM/Locked Rotor/Tach Available