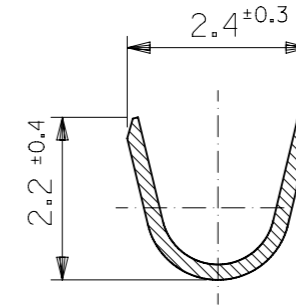
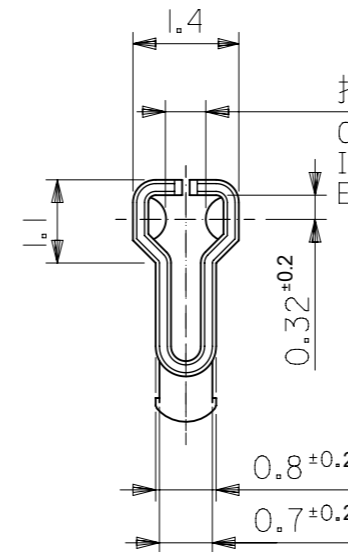
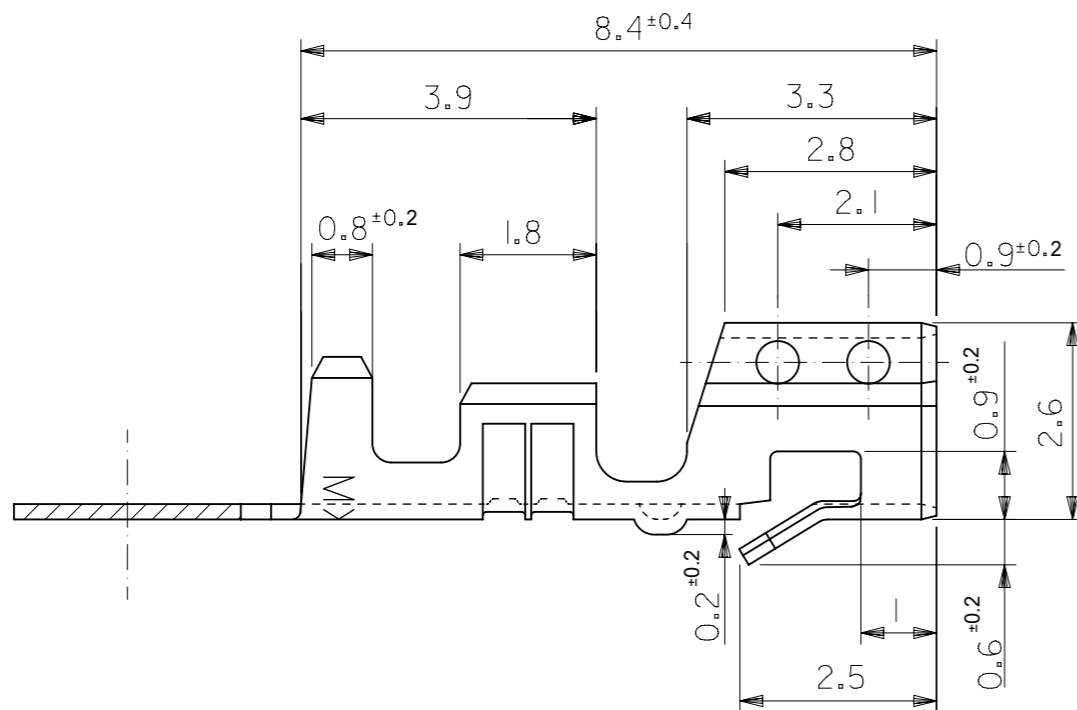


断面 A-A
SECT. A-A



断面 B-B
SECT. B-B



挿抜力により管理
CONTROL TO
INSERTION &
EXTRACTION FORCE.

注記 NOTES;

- 1. 適合ハウジング :
APPLICABLE HOUSING : 5207-N

材料 MATERIAL	表参照 (t=0.203) SEE TABLE
適用電線範囲 WIRE RANGE	AWG #22 ~ 28 0.33 ~ 0.08mm ²
被覆外径 INS. RANGE	Ø 1.15 ~ Ø 1.9

錫メッキ済黄銅 PRE-TINNED BRASS		08-70-0056	5103T	連鎖状 CHAIN		
材料 MATERIAL		EDP NO.	ENG. NO.	端子形状 FORM		
THIS DRAWING CONTAINS INFORMATION THAT IS PROPRIETARY TO MOLEX ELECTRONIC TECHNOLOGIES, LLC AND SHOULD NOT BE USED WITHOUT WRITTEN PERMISSION						
DIMENSION UNITS mm	SCALE 10:1	CURRENT REV DESC: REMOVED OBSOLETE PART NUMBERS AS PER PCN#510812.				
GENERAL TOLERANCES (UNLESS SPECIFIED)						
ANGULAR TOL	± 3.0 °				MINI SPOX CRIMP REC	
4 PLACES	± 0.2				PRODUCT CUSTOMER DRAWING	
3 PLACES	± 0.25				DOCUMENT NUMBER	
2 PLACES	± 0.3				SD-5103-002	
1 PLACE	±	DOC TYPE				
0 PLACES	±	DOC PART				
DRAFT WHERE APPLICABLE MUST REMAIN WITHIN DIMENSIONS		THIRD ANGLE PROJECTION	DRAWING	SERIES		
			A3-SIZE	5103		
		MATERIAL NUMBER	CUSTOMER	SHEET NUMBER		
		SEE CHART	GENERAL MARKET	1 OF 1		