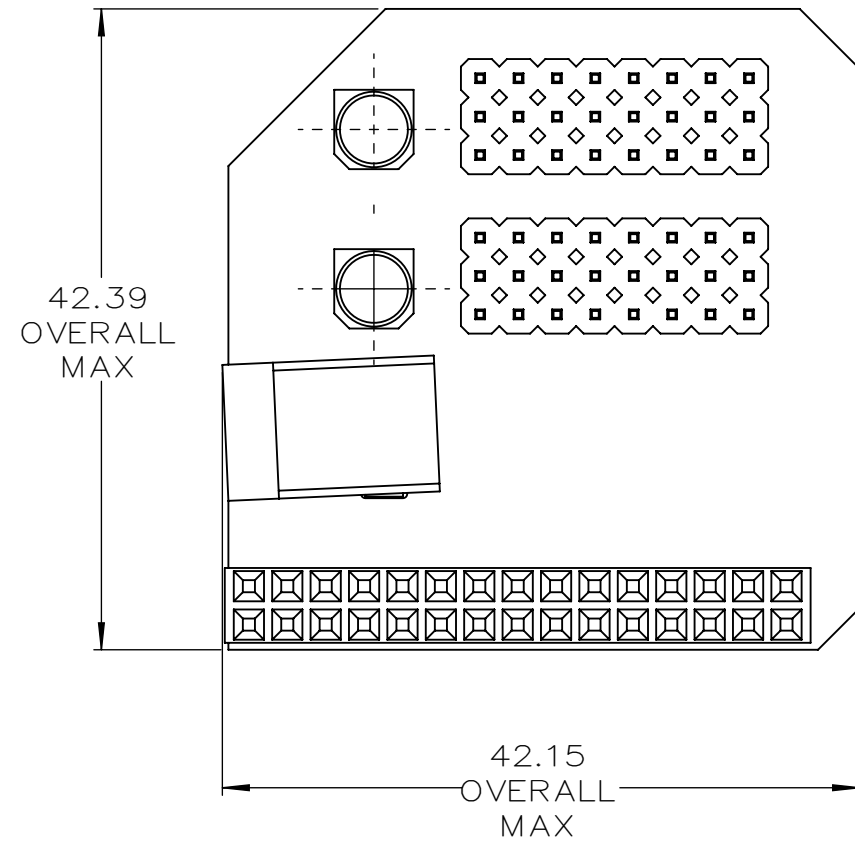


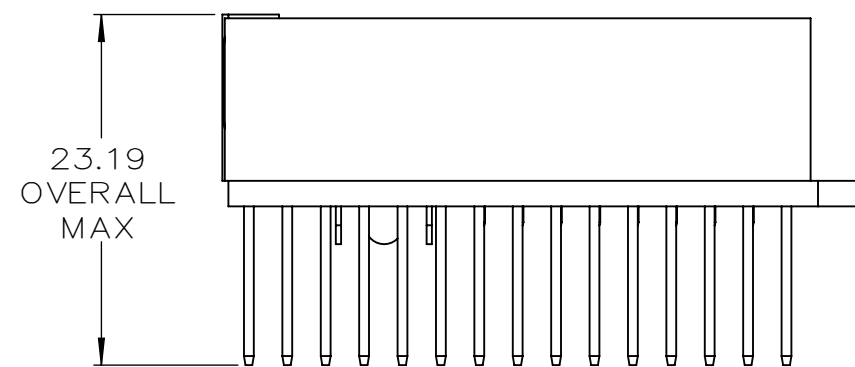
8 7 6 5 4 3 2 1

D



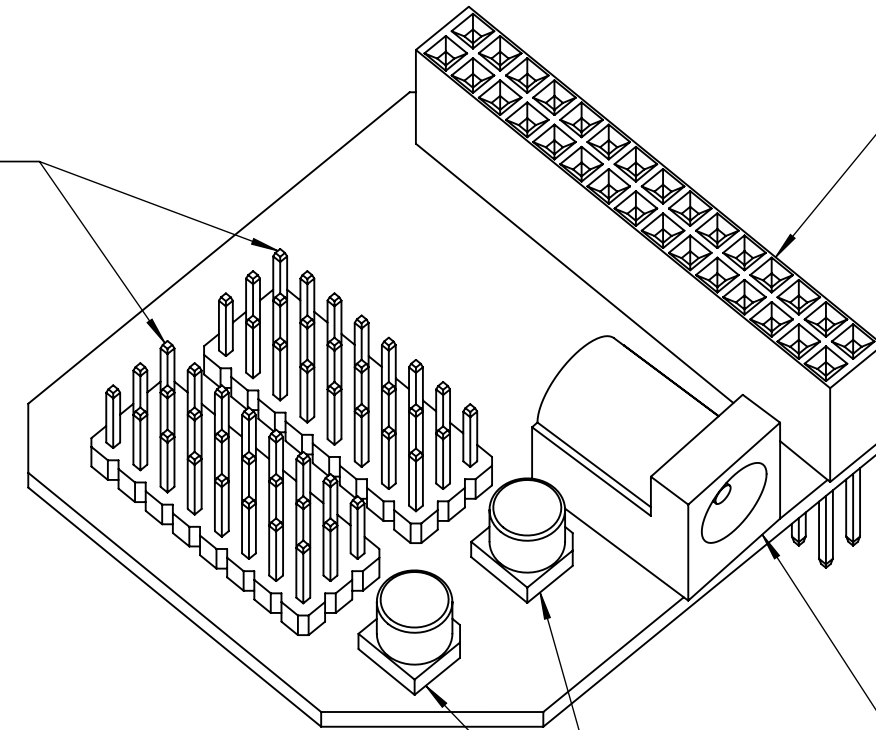
C

B



SERVO HEADERS

GPIO HEADER



POWER JACK

CAPACITORS

D

C

B

GENERAL DESCRIPTION

ONLY MAJOR AND INTERFACING COMPONENTS SHOWN.
 THRU-HOLE PINS MAY HAVE SOLDER AT THEIR BASES.
 SLIGHT VARIATIONS MAY OCCUR DUE TO MFG AND ASSY.
 SEE DOCUMENTATION FOR HOW TO USE.
 FOR REFERENCE ONLY. THIS IS NOT A DESIGN GUIDE.

		DIMENSION IN MM UNLESS NOTED	THE INFORMATION CONTAINED IN THIS DRAWING IS THE SOLE PROPERTY OF ONION CORPORATION. ANY REPRODUCTION IN PART OR AS A WHOLE WITHOUT THE WRITTEN PERMISSION OF ONION CORPORATION IS PROHIBITED.		
		TOLERANCES	AUTHOR	DATE	
		.X ±0.1	GO	2016-03-23	
		.XX ±0.06	CHECKED	DATE	TITLE
		.XXX ±0.010			SERVO EXPANSION
		ANG.	APPROVED	DATE	PART NO.
		MACH ±0.5°			OM-E-SRV
		BEND ±1°	PROJECTION TYPE		REV.
		MATERIAL			A2
NEXT ASSY	USED ON	DO NOT SCALE DRAWING	SCALE	SIZE	SHEET
			2:1	B	1 OF 6

8 7 6 5 4 3 2 1

A

A

8 7 6 5 4 3 2 1

D

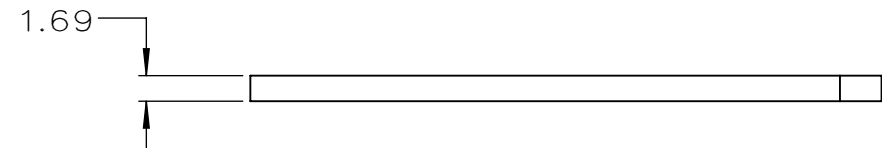
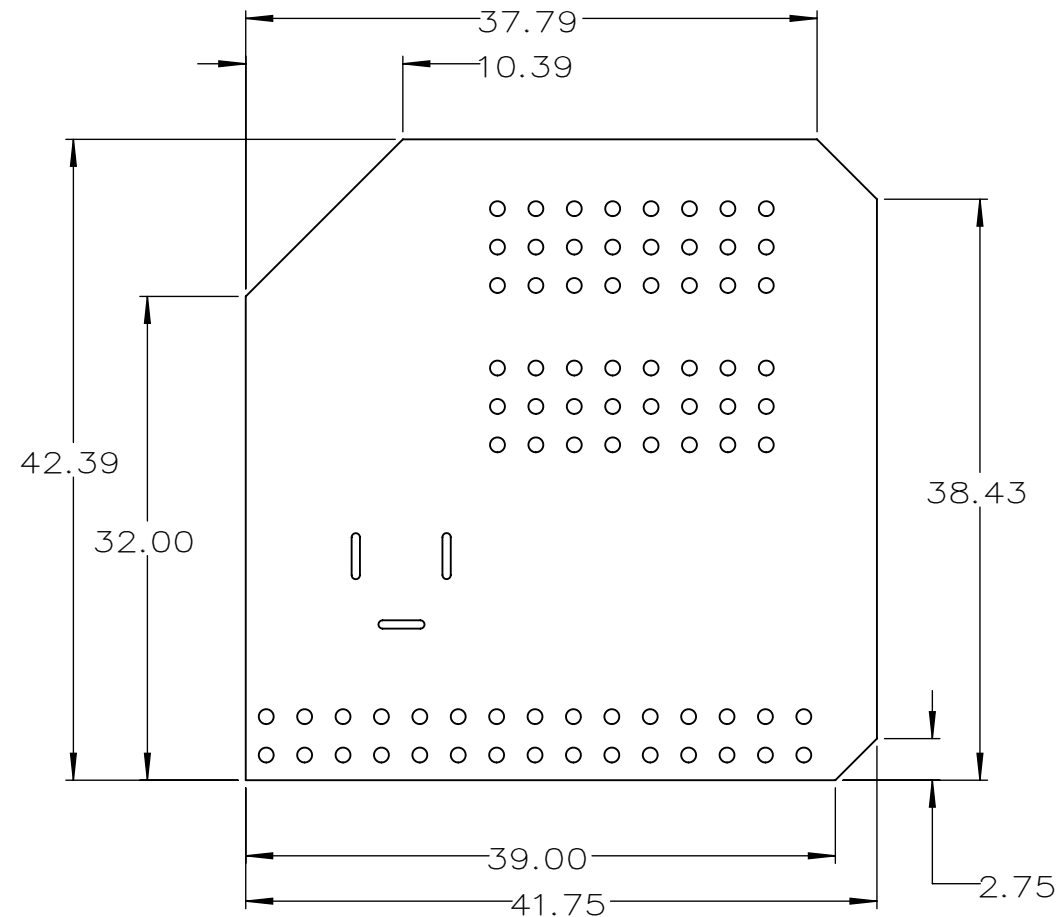
D

C

C

B

B



BOARD
OUTLINE

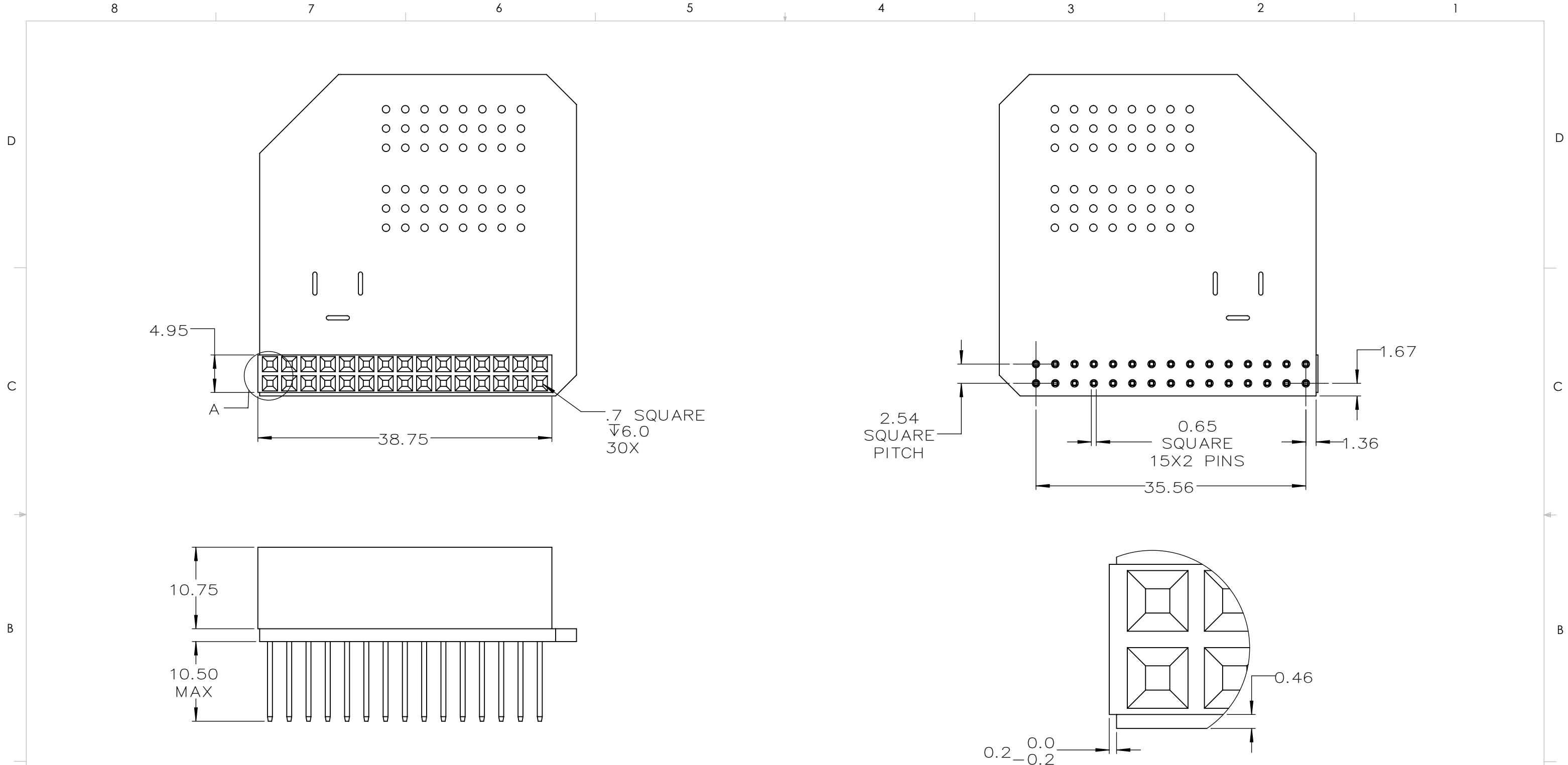
ONLY MAJOR AND INTERFACING COMPONENTS SHOWN.
 THRU-HOLE PINS MAY HAVE SOLDER AT THEIR BASES.
 SLIGHT VARIATIONS MAY OCCUR DUE TO MFG AND ASSY.
 SEE DOCUMENTATION FOR HOW TO USE.
 FOR REFERENCE ONLY. THIS IS NOT A DESIGN GUIDE.

A

A

		DIMENSION IN MM UNLESS NOTED	THE INFORMATION CONTAINED IN THIS DRAWING IS THE SOLE PROPERTY OF ONION CORPORATION. ANY REPRODUCTION IN PART OR AS A WHOLE WITHOUT THE WRITTEN PERMISSION OF ONION CORPORATION IS PROHIBITED.		
		TOLERANCES	AUTHOR	DATE	
		.X ±0.1	GO	2016-03-23	
		.XX ±0.06	CHECKED	DATE	
		.XXX ±0.010	APPROVED	DATE	TITLE
		ANG.			SERVO EXPANSION
		MACH ±0.5°	PROJECTION TYPE		PART NO.
		BEND ±1°			OM-E-SRV
		MATERIAL			REV.
					A2
		DO NOT SCALE DRAWING			SCALE
					2:1
					SIZE
					B
					SHEET
					2 OF 6



8 7 6 5 4 3 2 1



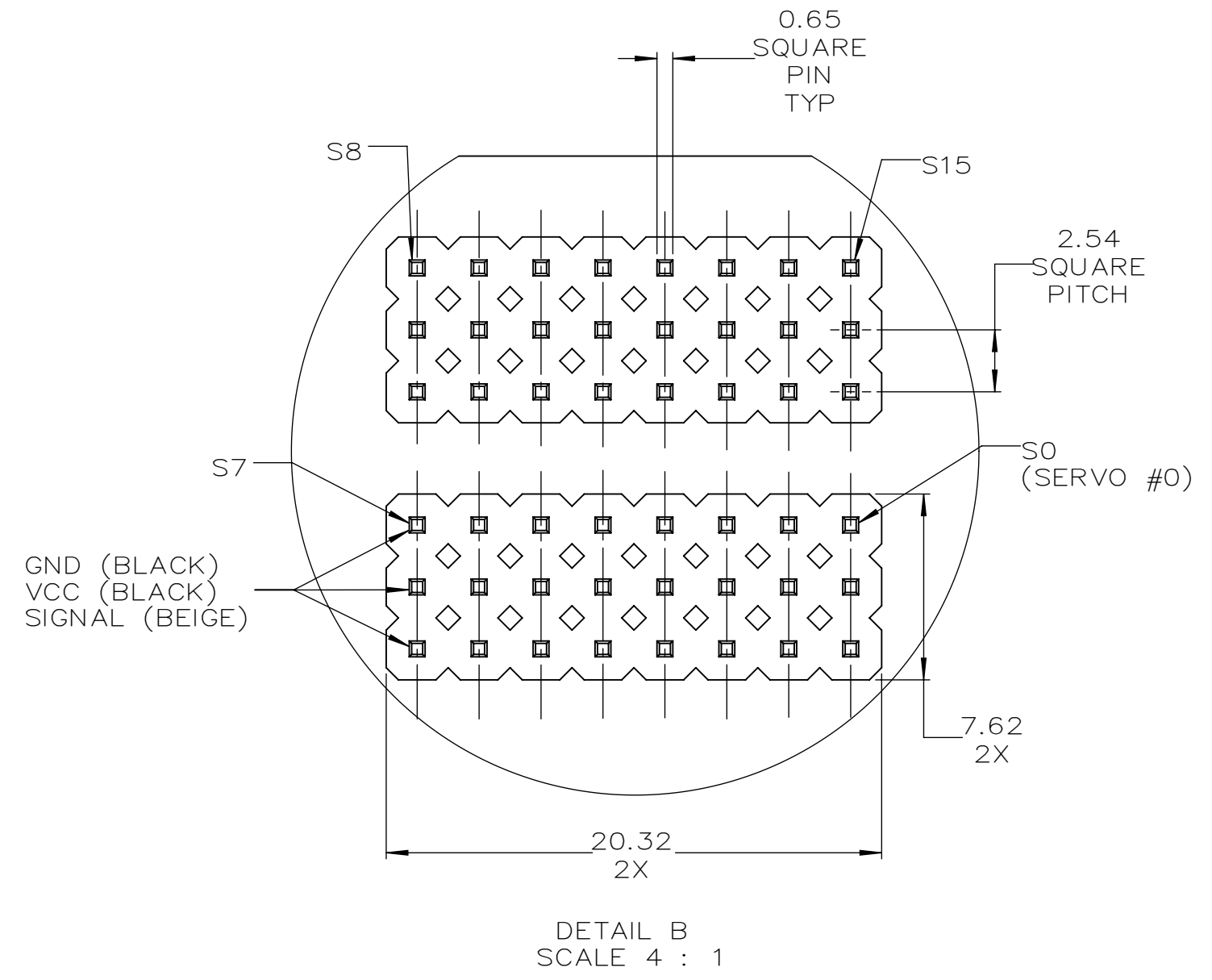
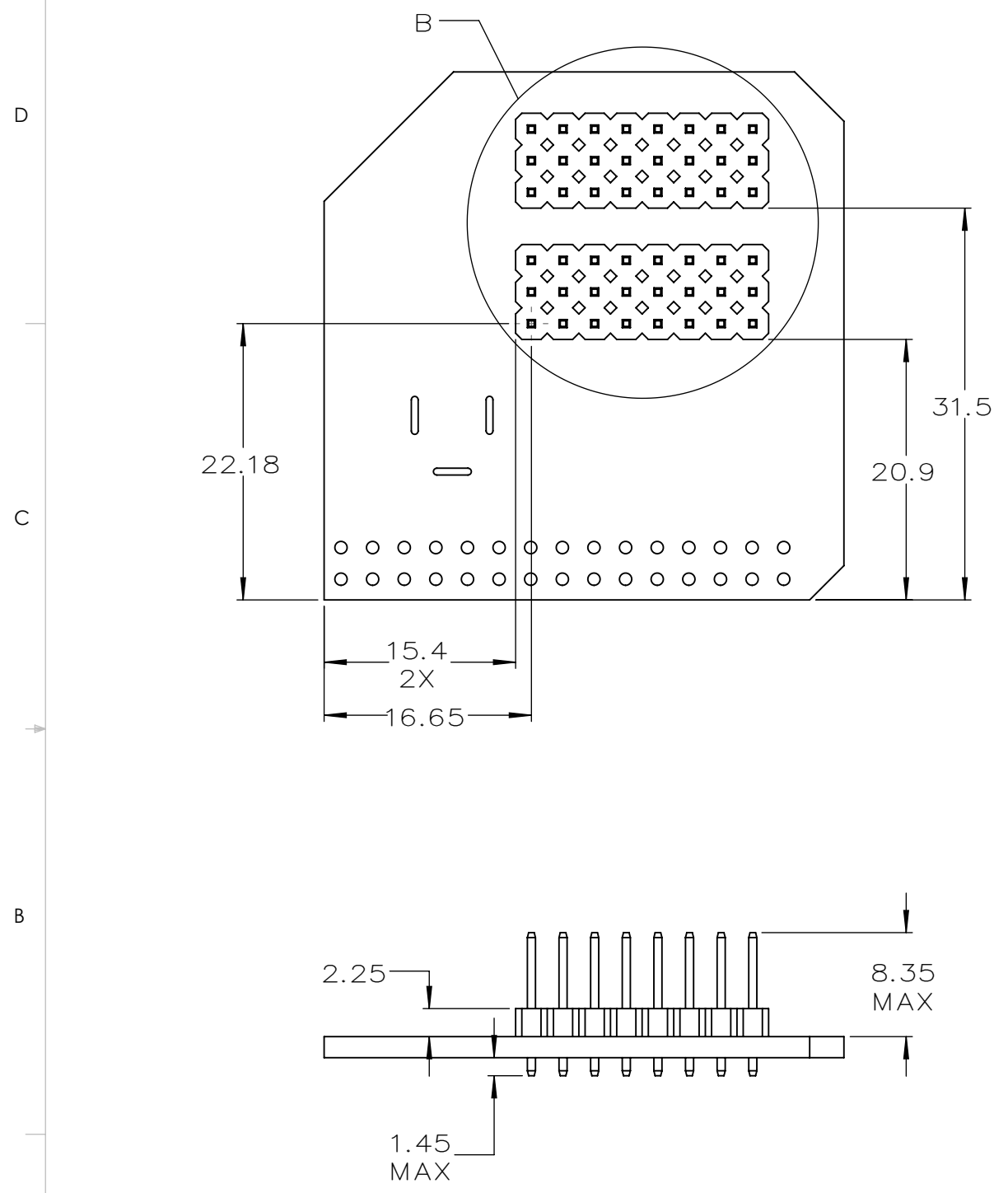
ONLY MAJOR AND INTERFACING COMPONENTS SHOWN.
 THRU-HOLE PINS MAY HAVE SOLDER AT THEIR BASES.
 SLIGHT VARIATIONS MAY OCCUR DUE TO MFG AND ASSY.
 SEE DOCUMENTATION FOR HOW TO USE.
 FOR REFERENCE ONLY. THIS IS NOT A DESIGN GUIDE.

GPIO
 DETAIL

DETAIL A
 SCALE 8 : 1

		DIMENSION IN MM UNLESS NOTED	THE INFORMATION CONTAINED IN THIS DRAWING IS THE SOLE PROPERTY OF ONION CORPORATION. ANY REPRODUCTION IN PART OR AS A WHOLE WITHOUT THE WRITTEN PERMISSION OF ONION CORPORATION IS PROHIBITED.		
		TOLERANCES	AUTHOR	DATE	
		.X ±0.1	GO	2016-03-23	
		.XX ±0.06	CHECKED	DATE	
		.XXX ±0.010	APPROVED	DATE	TITLE
		ANG.			SERVO EXPANSION
		MACH ±0.5°	PROJECTION TYPE		PART NO.
		BEND ±1°			OM-E-SRV
		MATERIAL			REV.
					A2
NEXT ASSY	USED ON	DO NOT SCALE DRAWING			SCALE
					2:1
					SIZE
					B
					SHEET
					3 OF 6

8 7 6 5 4 3 2 1



SERVO PIN
DETAIL

ONLY MAJOR AND INTERFACING COMPONENTS SHOWN.
THRU-HOLE PINS MAY HAVE SOLDER AT THEIR BASES.
SLIGHT VARIATIONS MAY OCCUR DUE TO MFG AND ASSY.
SEE DOCUMENTATION FOR HOW TO USE.
FOR REFERENCE ONLY. THIS IS NOT A DESIGN GUIDE.

		DIMENSION IN MM UNLESS NOTED	THE INFORMATION CONTAINED IN THIS DRAWING IS THE SOLE PROPERTY OF ONION CORPORATION. ANY REPRODUCTION IN PART OR AS A WHOLE WITHOUT THE WRITTEN PERMISSION OF ONION CORPORATION IS PROHIBITED.	
		TOLERANCES	AUTHOR	DATE
		.X ±0.1	GO	2016-03-23
		.XX ±0.06	CHECKED	DATE
		.XXX ±0.010	APPROVED	DATE
		ANG.	PROJECTION TYPE	TITLE
		MACH ±0.5°		SERVO EXPANSION
		BEND ±1°		PART NO.
		MATERIAL	OM-E-SRV	A2
NEXT ASSY	USED ON	DO NOT SCALE DRAWING	SCALE	SIZE
			2:1	B
			SHEET	4 OF 6

8 7 6 5 4 3 2 1

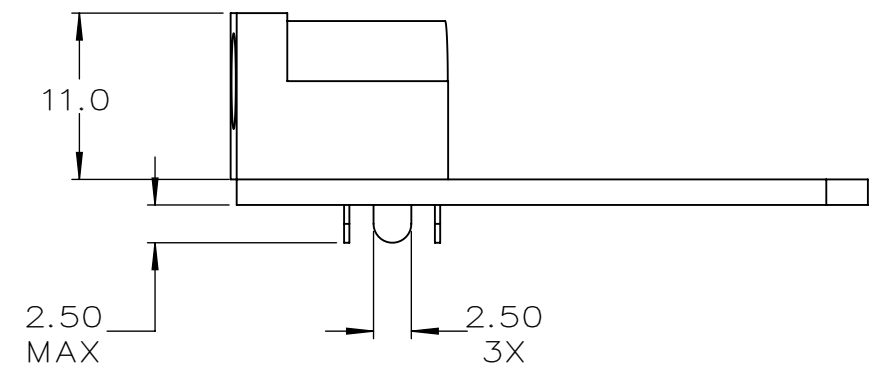
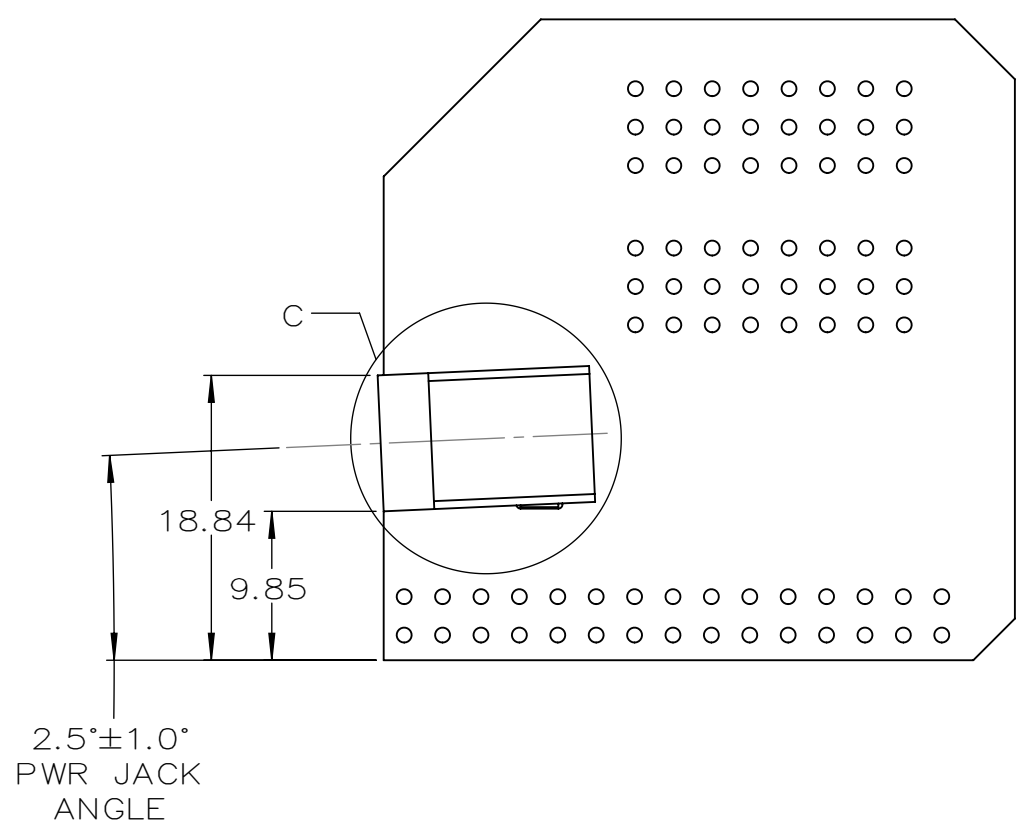
8 7 6 5 4 3 2 1

D

C

B

A



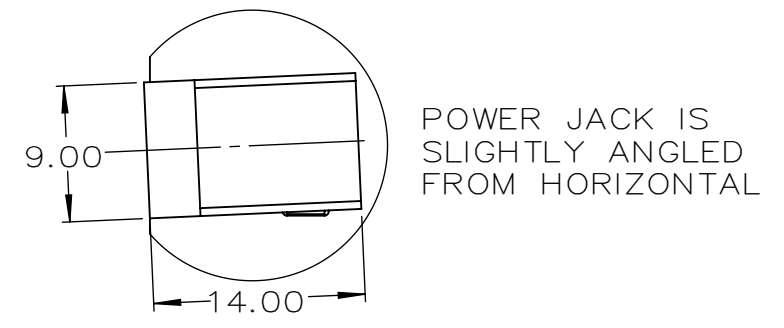
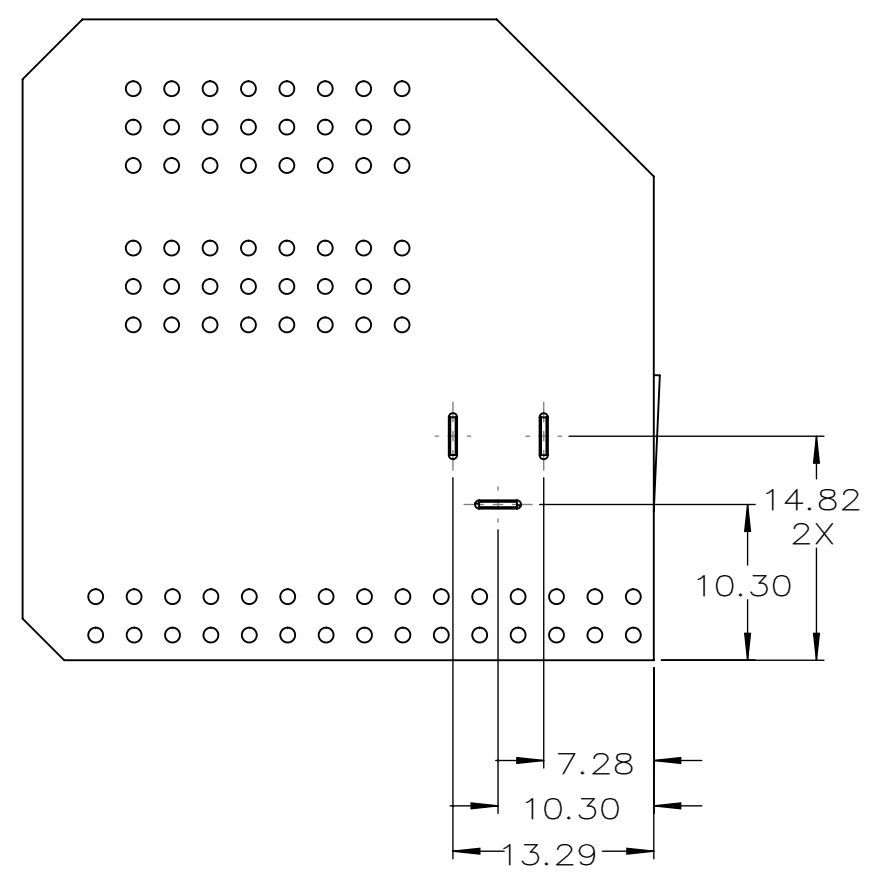
ONLY MAJOR AND INTERFACING COMPONENTS SHOWN.
 THRU-HOLE PINS MAY HAVE SOLDER AT THEIR BASES.
 SLIGHT VARIATIONS MAY OCCUR DUE TO MFG AND ASSY.
 SEE DOCUMENTATION FOR HOW TO USE.
 FOR REFERENCE ONLY. THIS IS NOT A DESIGN GUIDE.

D

C

B

A



POWER JACK
DETAIL

DETAIL C

		DIMENSION IN MM UNLESS NOTED	THE INFORMATION CONTAINED IN THIS DRAWING IS THE SOLE PROPERTY OF ONION CORPORATION. ANY REPRODUCTION IN PART OR AS A WHOLE WITHOUT THE WRITTEN PERMISSION OF ONION CORPORATION IS PROHIBITED.		
		TOLERANCES	AUTHOR	DATE	
		.X ±0.1	GO	2016-03-23	
		.XX ±0.06	CHECKED	DATE	TITLE SERVO EXPANSION
		.XXX ±0.010	APPROVED	DATE	
		ANG.	PROJECTION TYPE		PART NO. OM-E-SRV
		MACH ±0.5°			
		BEND ±1°			SCALE
		MATERIAL			SIZE
					SHEET
		DO NOT SCALE DRAWING			2:1 B 5 OF 6
NEXT ASSY	USED ON				

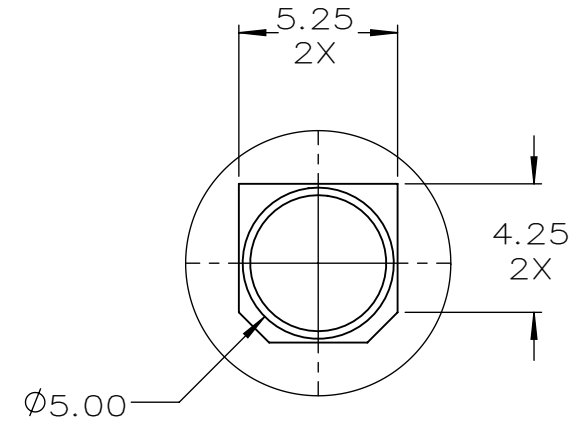
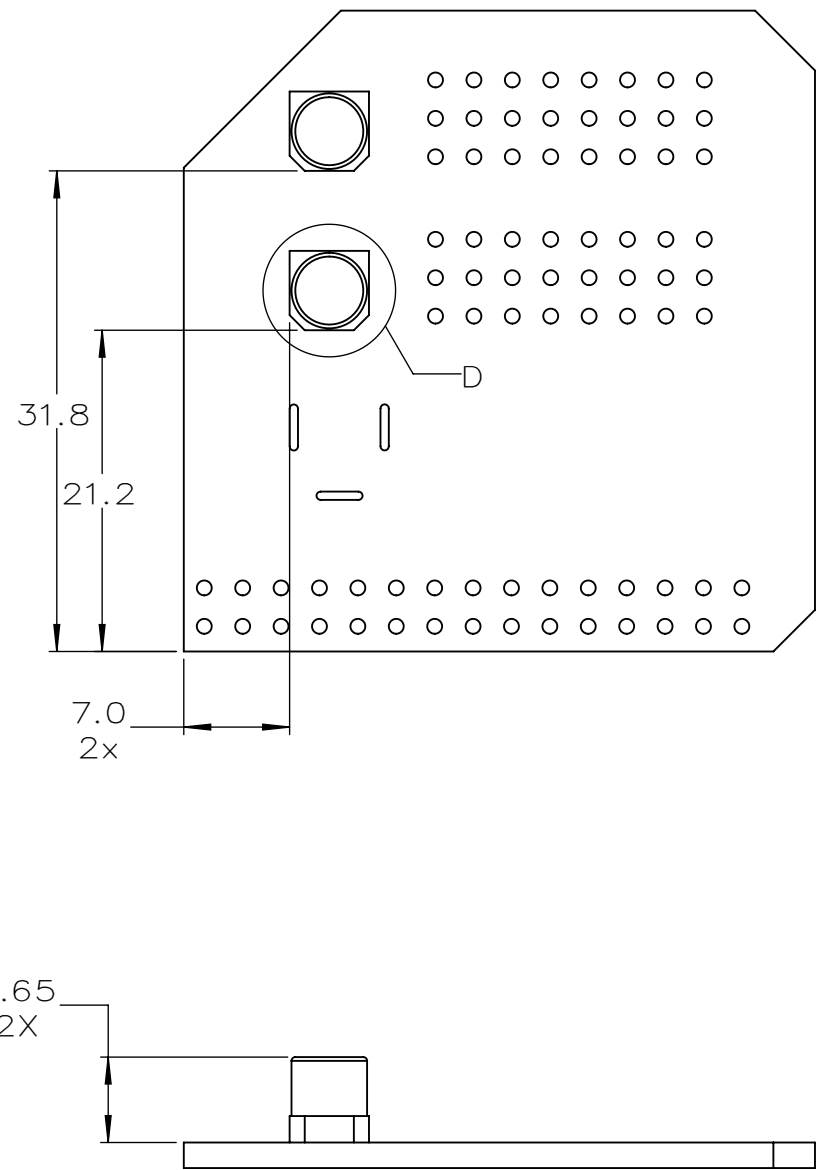
8 7 6 5 4 3 2 1

D

C

B

A



DETAIL D
SCALE 4 : 1

CAPACITORS ARE
NON-INTERFACING
WITH END USER

CAPACITOR
DETAIL

ONLY MAJOR AND INTERFACING COMPONENTS SHOWN.
THRU-HOLE PINS MAY HAVE SOLDER AT THEIR BASES.
SLIGHT VARIATIONS MAY OCCUR DUE TO MFG AND ASSY.
SEE DOCUMENTATION FOR HOW TO USE.
FOR REFERENCE ONLY. THIS IS NOT A DESIGN GUIDE.

		DIMENSION IN MM UNLESS NOTED	THE INFORMATION CONTAINED IN THIS DRAWING IS THE SOLE PROPERTY OF ONION CORPORATION. ANY REPRODUCTION IN PART OR AS A WHOLE WITHOUT THE WRITTEN PERMISSION OF ONION CORPORATION IS PROHIBITED.		
		TOLERANCES	AUTHOR	DATE	
		.X ±0.1	GO	2016-03-23	
		.XX ±0.06	CHECKED	DATE	TITLE SERVO EXPANSION
		.XXX ±0.010	APPROVED	DATE	
		ANG. MACH ±0.5°	PROJECTION TYPE		PART NO. OM-E-SRV
		BEND ±1°			
		MATERIAL			REV. A2
NEXT ASSY	USED ON	DO NOT SCALE DRAWING	SCALE	SIZE	SHEET
			2:1	B	6 OF 6