

# Type ANR80

## Automotive Blade Fuse

### Standard - Voltage 80V



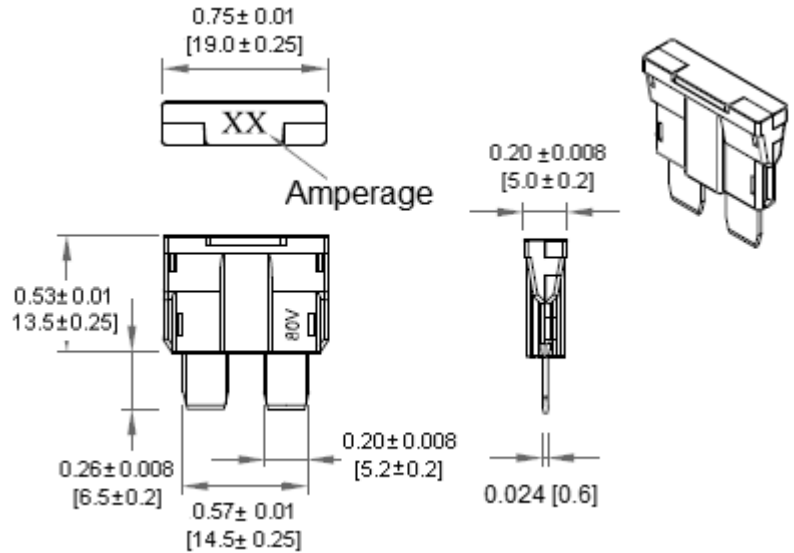
www.optifuse.com (619) 593-5050

#### Specifications:

- Voltage: 80V DC
- Amperage: 500mA, 1A, 2A, 3A, 4A, 5A, 7.5A, 10A, 12A, 15A, 20A, 25A, 30A, 35A, 40A
- Material:
  - Cover: Polycarbonate, UL94V-0, Red
  - Body – Nylon 66 with 30% Fiber Glass UL94V-0
  - Metal – Copper Alloy, gal. Sn
  - Element – Zinc, Silver Alloy
- Interrupt Rating: 1000A 80VDC

**Standards:** According to SAE J1284

#### Mechanical Dimensions: Inches [mm]



Time Characteristics:		
% of Rated Current	Min Hold Time	Max Hold Time
110%	> hr (500mA~30A) Carry (35A~40A)	
135%	750ms	1800s
200%	150ms	30s
350%	40ms	500ms
600%	10ms	100ms

Part Number	Amperage	Body Color	Voltage Drop (mV)	Cold Resistance	I <sup>2</sup> T
ANR80-500MA	500mA	Dark Blue	150	290 mΩ	0.3
ANR80-1A	1A	Black	125	100 mΩ	2.3
ANR80-2A	2A	Gray	120	43.0 mΩ	9.6
ANR80-3A	3A	Violet	110	30.0 mΩ	16.2
ANR80-4A	4A	Pink	110	22.0 mΩ	36.8
ANR80-5A	5A	Tan	110	16.0 mΩ	62.5
ANR80-7.5A	7.5A	Brown	90	9.00 mΩ	73.1
ANR80-10A	10A	Red	90	6.50 mΩ	210
ANR80-12A	12A	Light Pink	---	---	---
ANR80-15A	15A	Blue	90	4.00 mΩ	270
ANR80-20A	20A	Yellow	90	3.00 mΩ	360
ANR80-25A	25A	Clear	80	1.90 mΩ	813
ANR80-30A	30A	Green	80	1.65 mΩ	1530
ANR80-35A	35A	Blue Green	70	1.45 mΩ	1960
ANR80-40A	40A	Orange	70	1.25 mΩ	3200

#### Warning:



-Operation beyond the specified maximum ratings or improper use may result in damage and possible electrical arcing and/or flame.

-Avoid contact of device with chemical solvent. Prolonged contact will damage the device performance.

**Type ANR80**  
**Automotive Blade Fuse**  
**Standard - Voltage 80V**



www.optifuse.com

(619) 593-5050

Time Current Curve Graph

