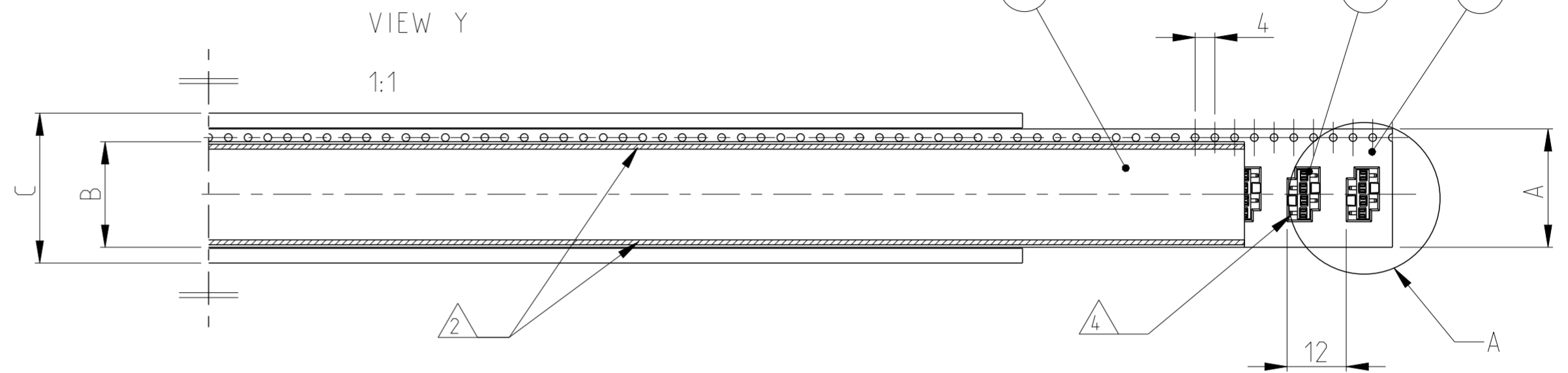
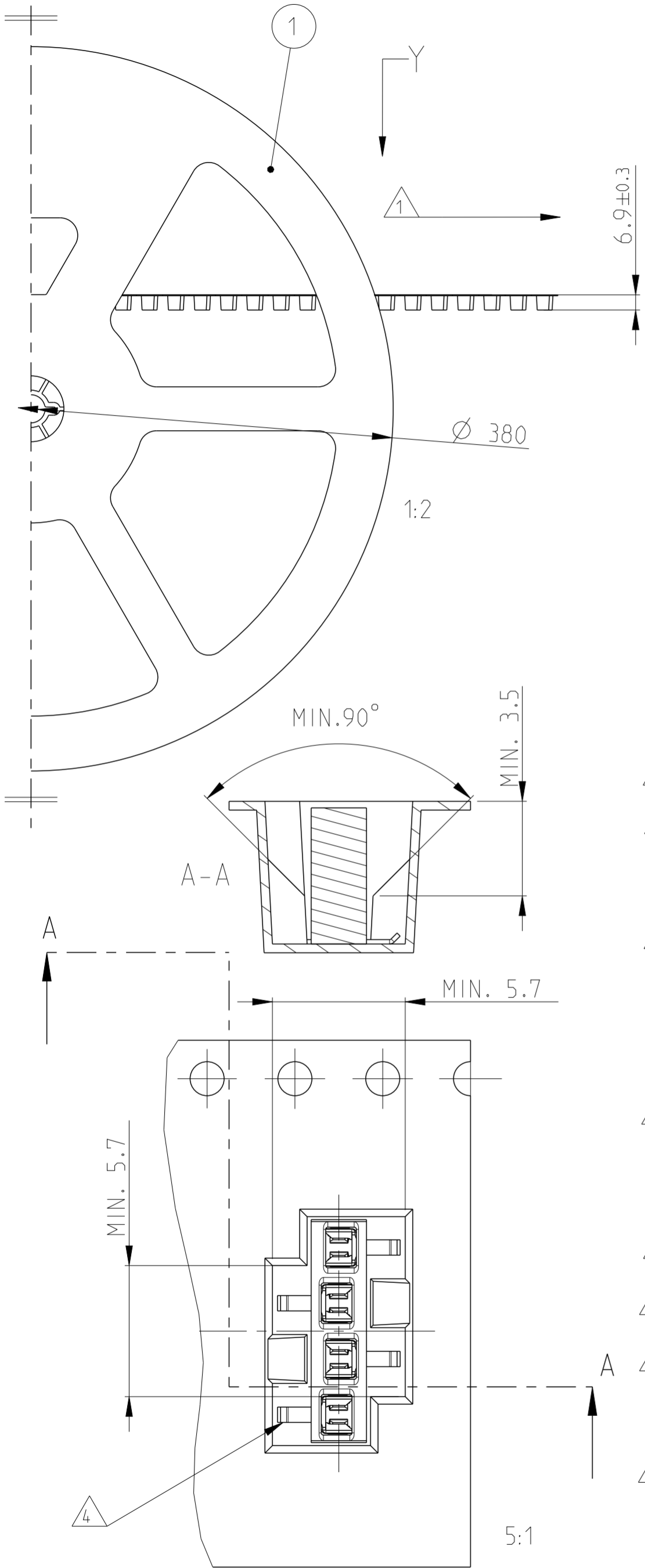


LOC		DIST		REVISIONS			
P	LTR	DESCRIPTION		DATE	DWN	APVD	
	E	HOUSING MATERIAL CHANGE		07JUL2022	MP	JK	



NOTES:

- ① DIRECTION OF THE TOP OF THE REEL
- ② COVER TAPE WITH BLISTER BELT WELDED
- ③ PACKING: 1100 CONNECTORS PER REEL
13.8m BLISTER PER REEL
13.8m COVER TAPE PER REEL
- ④ SOLDERLEGS 1. POS. OF EACH CONNECTOR AS SHOWN IN SHEET 2
- 5 PACKING ACCORDING TO DIN/IEC 286 RESPECTIVELY EIA 481 INCLUDING DECLARATIONS OF THE FIRST AND LAST RUNNING (DIN/IEC 286 PART 3)
- ⑥ SEE SHEET 2

BEMERKUNGEN:

- ① ABWICKELRICHTUNG
- ② ABDECKBAND MIT BLISTERGURT VERSCHWEIßT
- ③ VERPACKUNG: 1100 BUCHSENSTECKER PRO SPULE
13.8m BLISTERGURT PRO SPULE
13.8m ABDECKBAND PRO SPULE
- ④ LÖTBEINCHEN 1. POS. BEI JEDEM STECKER WIE GEZEICHNET AUF SHEET 2
- 5 VERPACKUNG ENTSPRECHEND DIN/IEC 286 BZW. EIA 481 INKLUSIVE DER ANGABEN ÜBER DEN VOR- UND NACHLAUF (DIN/IEC 286 TEIL 3)
- ⑥ SIEHE SHEET 2

Das mit dieser Zeichnung vorgestellte Produkt wird hiermit zur Fertigung der notwendigen Produktionswerkzeuge freigegeben. Nachträgliche Änderungswünsche gehen zu Lasten des Auftraggebers.

.....
 Datum, Firmenstempel und Unterschrift des Auftraggebers

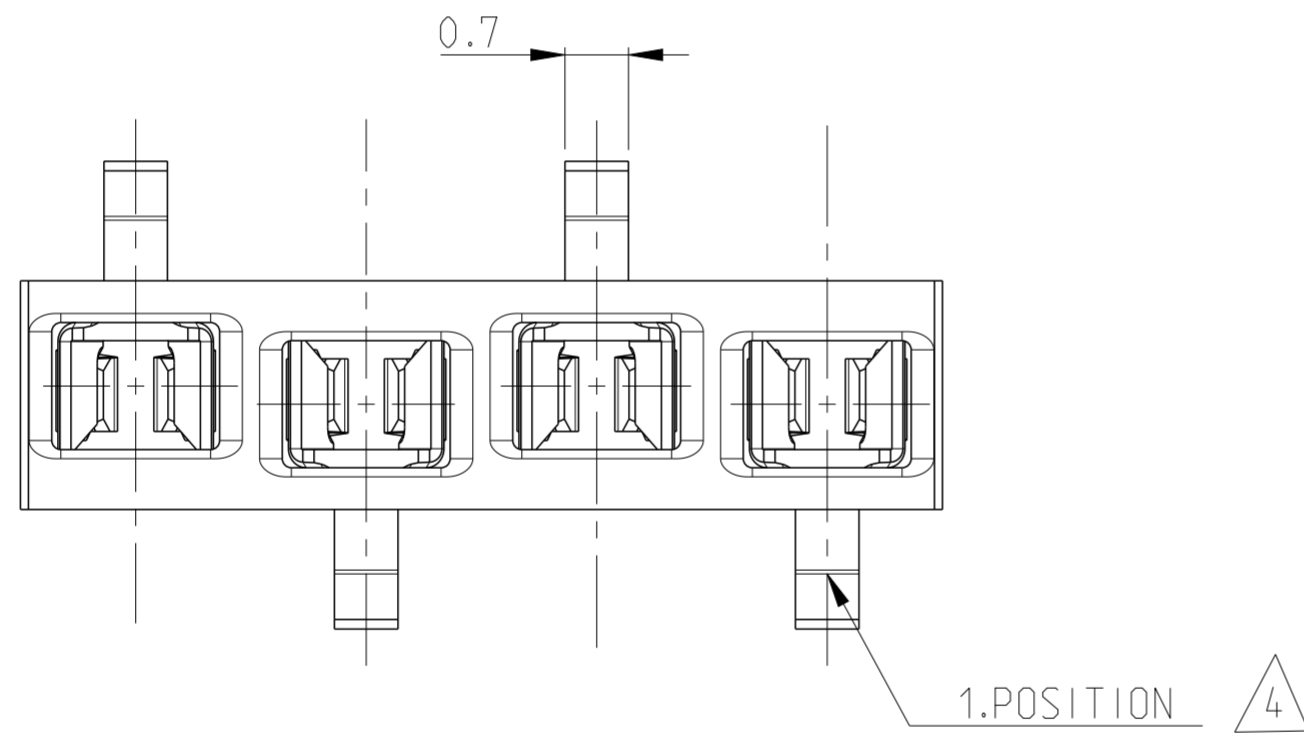
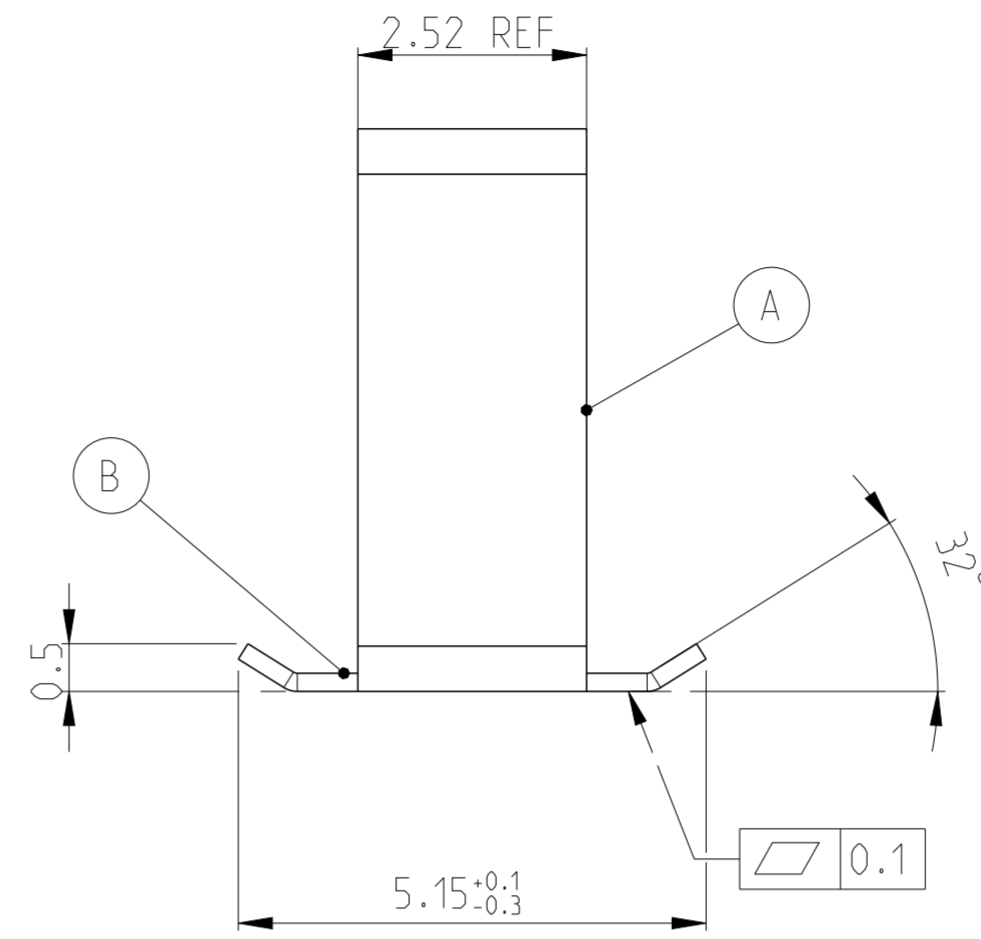
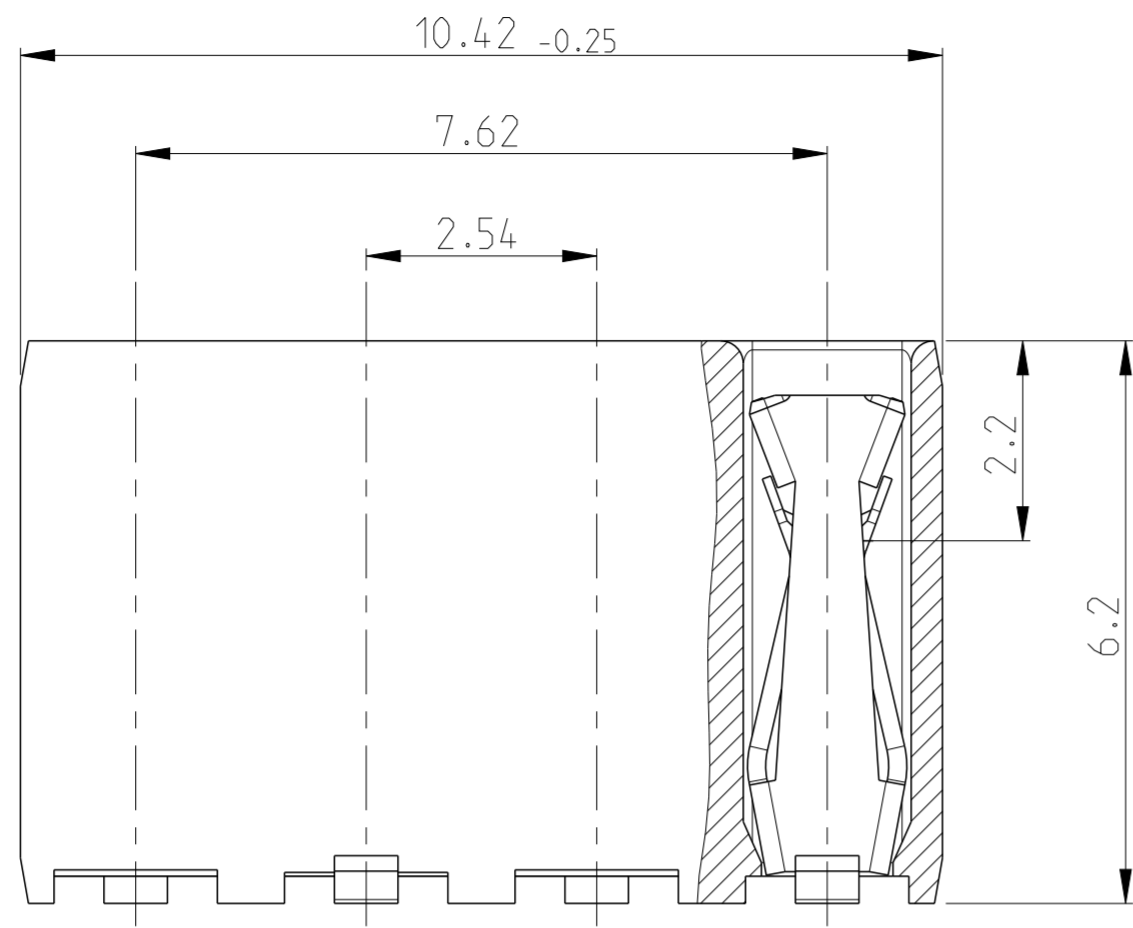
③	HV100 CONNECTOR, SMD, 4 POS.	⑥	⑥	4
③	COVER TAPE B=21.4mm	TRANSPARENT	PET	3
③	BLISTER BELT A=24mm	BLACK	PS	2
③	REEL Ø380mm, C= 30.4mm	BLACK	PS	1
0-1987001-4	DESCRIPTION	SURFACE COLOUR	MATERIAL	ITEM NO
ORDER NO				

THIS DRAWING IS A CONTROLLED DOCUMENT.

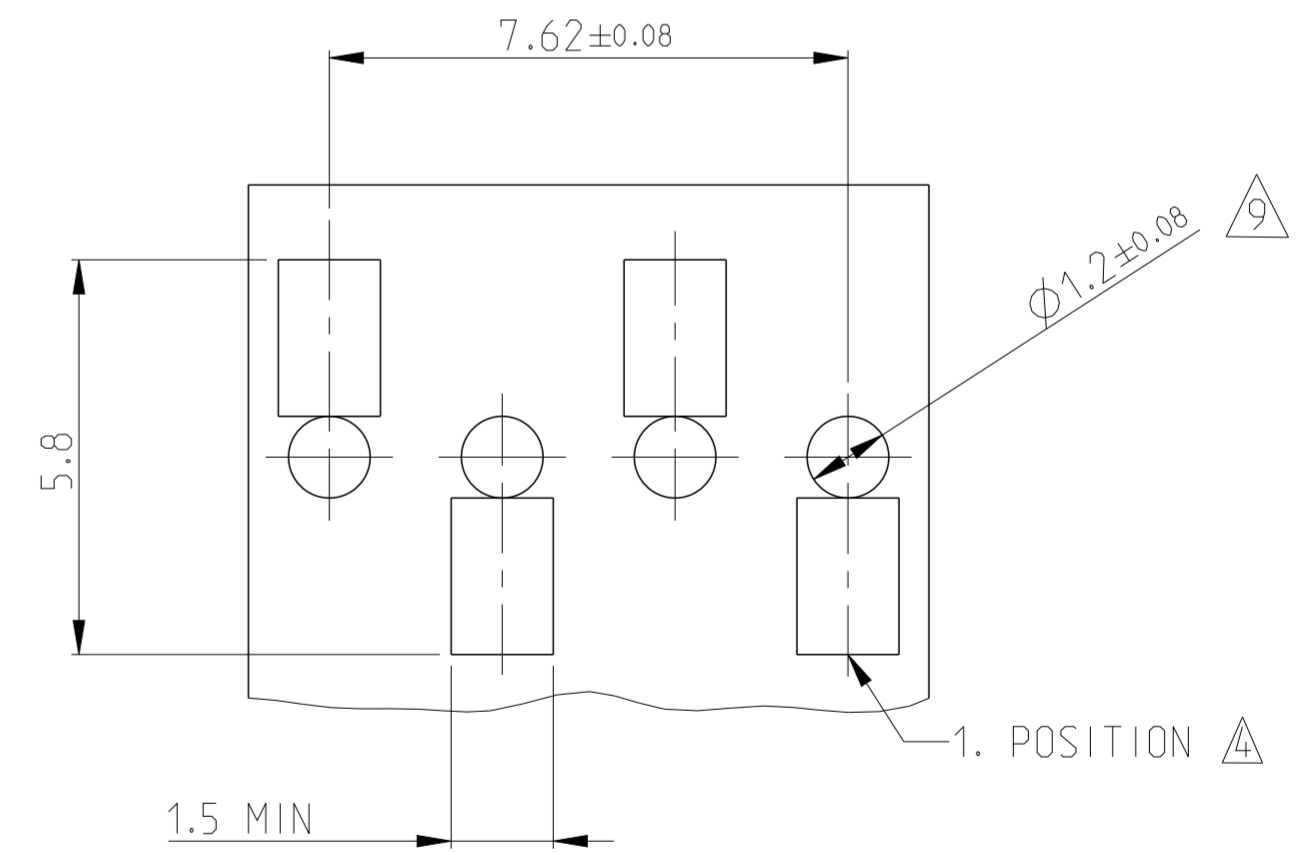
DWN G. ACKERMANN 27MAR2007	TE Connectivity
CHK N. GEISTER 27MAR2007	
APVD M. SCHAARSCHEIDT 29MAR2007	
PRODUCT SPEC 108-19056	
MATERIAL SEE TABLE	NAME HV100 RECEPTACLE CONNECTOR SINGLE ROW, SMD, PACKED IN BLISTER GOLD VERSION
TOLERANCES UNLESS OTHERWISE SPECIFIED: 0 PLC ± 1 PLC ± 2 PLC ± 3 PLC ± 4 PLC ± ANGLES ±° FINISH	SIZE A2
SEE TABLE	CAGE CODE 00779
	DRAWING NO C-1987001
	RESTRICTED TO -
	SCALE 5:1
	SHEET 1 OF 2
	REV E

THIS DRAWING IS UNPUBLISHED. RELEASED FOR PUBLICATION 2007
 © COPYRIGHT 2007 BY - ALL RIGHTS RESERVED.

LOC		DIST		REVISIONS			
P	LTR	DESCRIPTION	DATE	DWN	APVD		
A1	-	SEE SHEET 1	-	-	-		



Recommended PCB Layout



NOTE

△ CONTACT RANGE: 0.8 μm GOLD OVER 1.3 μm Ni
 SOLDERING RANGE: 2.5 μm TIN OVER 1.3 μm Ni

8. CAN BE PLUGGED IN WITH MODU II PINS
 Ø0.63 OR □0.63 TOP OR BOTTOM ENTRY

9. ONLY WITH THE BOTTOM ENTRY

HV 100 CONTACT	CuSn	△	B
HV 100 HOUSING	LCP	BLACK	A
DESCRIPTION	MATERIAL	FINISH/ COLOR	SL.NO

THIS DRAWING IS A CONTROLLED DOCUMENT.	
DIMENSIONS: mm	TOLERANCES UNLESS OTHERWISE SPECIFIED:
0 PLC ±	1 PLC ±
2 PLC ±	3 PLC ±
4 PLC ±	ANGLES ±°
MATERIAL SEE TABLE	FINISH SEE TABLE

DWN G. ACKERMANN 27MAR2007	TE Connectivity
CHK N. GEISTER 27MAR2007	
APVD M. SCHAARSCHEIDT 29MAR2007	NAME HV100 RECEPTACLE CONNECTOR SINGLE ROW, SMD, PACKED IN BLISTER GOLD VERSION
PRODUCT SPEC 108-19056	SIZE A2
APPLICATION SPEC	CAGE CODE 00779
WEIGHT -	DRAWING NO C-1987001
CUSTOMER DRAWING	RESTRICTED TO -
SCALE 5:1	SHEET 2 OF 2
	REV E