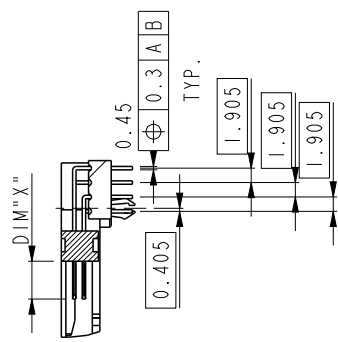
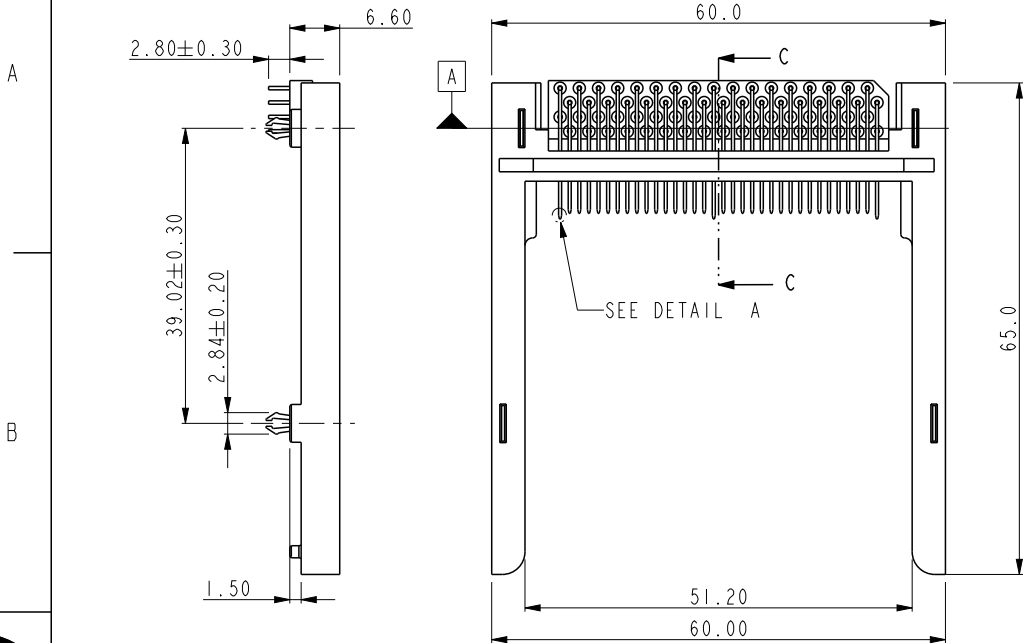
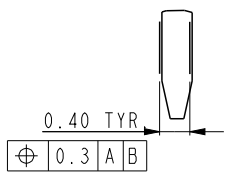
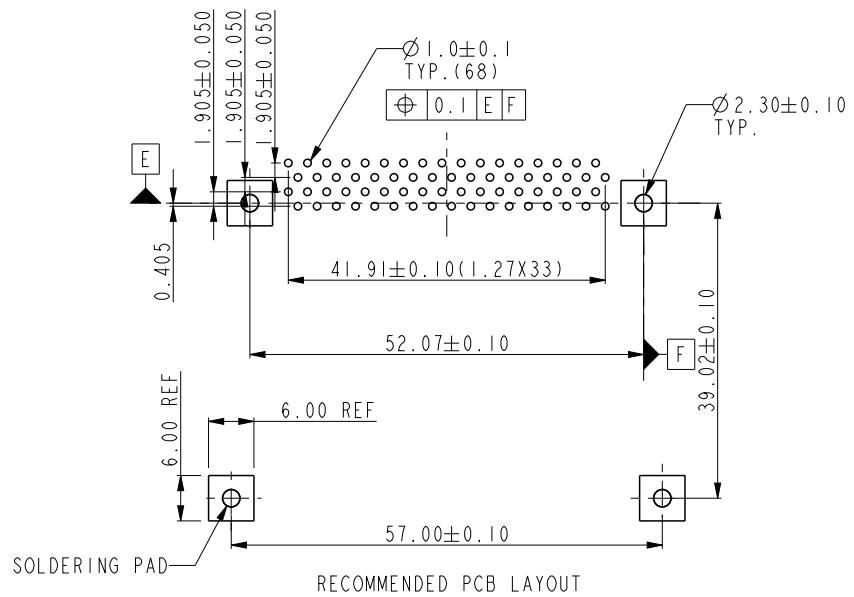


PRODUCT NO.	STAND OFF
10118309-015LF	1.5

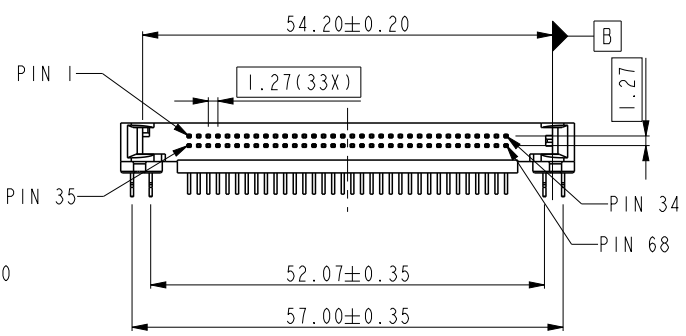


- NOTE:
- MATERIAL: HOUSING:HIGH TEMPERATURE THERMOPLASTIC  
LOCATOR:HIGH TEMPERATURE THERMOPLASTIC  
PIN- COPPER ALLOY
  - FINISH(PIN)
    - ALL OVER : Ni UNDER PLATING 1.27um THICK MIN.
    - CONTACT AREA: Au 0.075um THK MIN.
    - PURE TIN PLATING 2.5um THICK MIN.
  - IF LEAD FREE P/N, THE HOUSING WILL WITHSTAND EXPOSURE TO 260°C PEAK TEMPERATURE FOR 10 SECONDS IN A WAVE SOLDER APPLICATION WITH A 1.60MM MINIMUM THICK CIRCUIT BOARD.
  - LEAD FREE PRODUCT MEETS EUROPEAN UNION DIRECTIVES AND OTHER COUNTRY REGULATIONS AS DISCRIBLED IN GS-22-008
  - PRODUCT SPEC:110-263

DIM X			
DIM	4.25±0.1	3.5±0.1	5.0±0.1
PIN NUMBER	OTHERS	36,67	1,17,34,35,51,68



DETAIL A  
SCALE 10.000



Copyright FCI.

spec ref		dr Su-Hua Miao 2012/01/04		projection		size A4		scale 1.000														
tolerance std		eng Su-Hua Miao 2012/01/17						ecn no -														
TOLERANCES UNLESS OTHERWISE SPECIFIED		chr -																				
surface -		appr Rick Bian 2012/01/18		product family -		rel level		Released														
ISO1302		<table border="1"> <tr> <td>linear</td> <td>0.X</td> <td>±0.3</td> </tr> <tr> <td></td> <td>0.XX</td> <td>±0.15</td> </tr> <tr> <td></td> <td>0.XXX</td> <td>±0.08</td> </tr> <tr> <td>angular</td> <td>0°</td> <td>±2°</td> </tr> </table>		linear	0.X	±0.3		0.XX	±0.15		0.XXX	±0.08	angular	0°	±2°			title 68POS.HEADER ASS'Y PCMCIA HALOGEN-FREE 3.3V PRODUCT		dwg no 10118309		rev A
linear	0.X	±0.3																				
	0.XX	±0.15																				
	0.XXX	±0.08																				
angular	0°	±2°																				
		www.fci.com		cat. no. -		Product - Customer Drw		sheet 1 of 1														

PreE File - REV C - 2009-06-09