

THIS DRAWING IS UNPUBLISHED.

RELEASED FOR PUBLICATION

© COPYRIGHT - By -

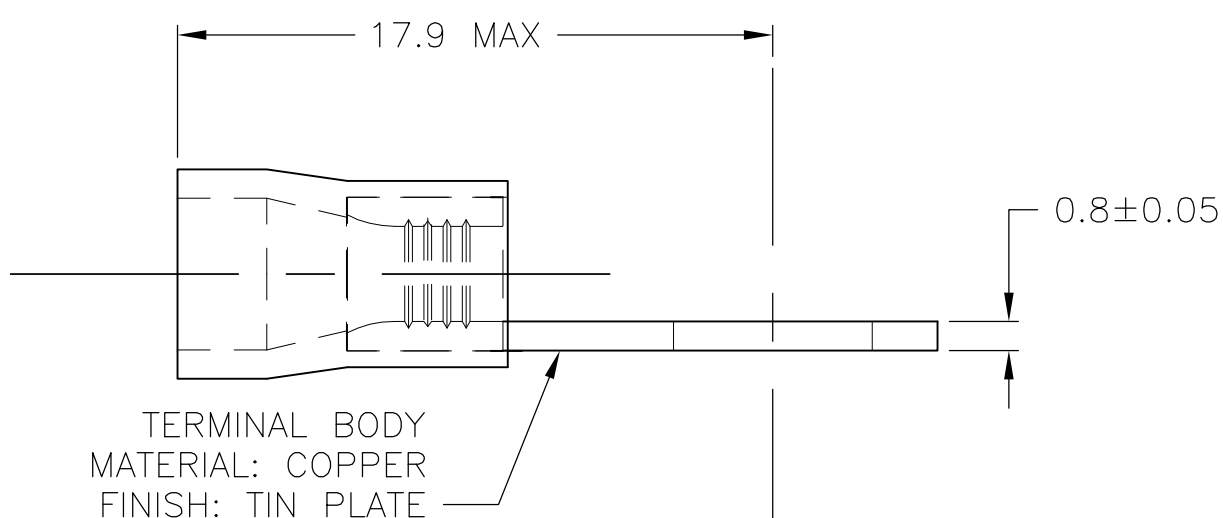
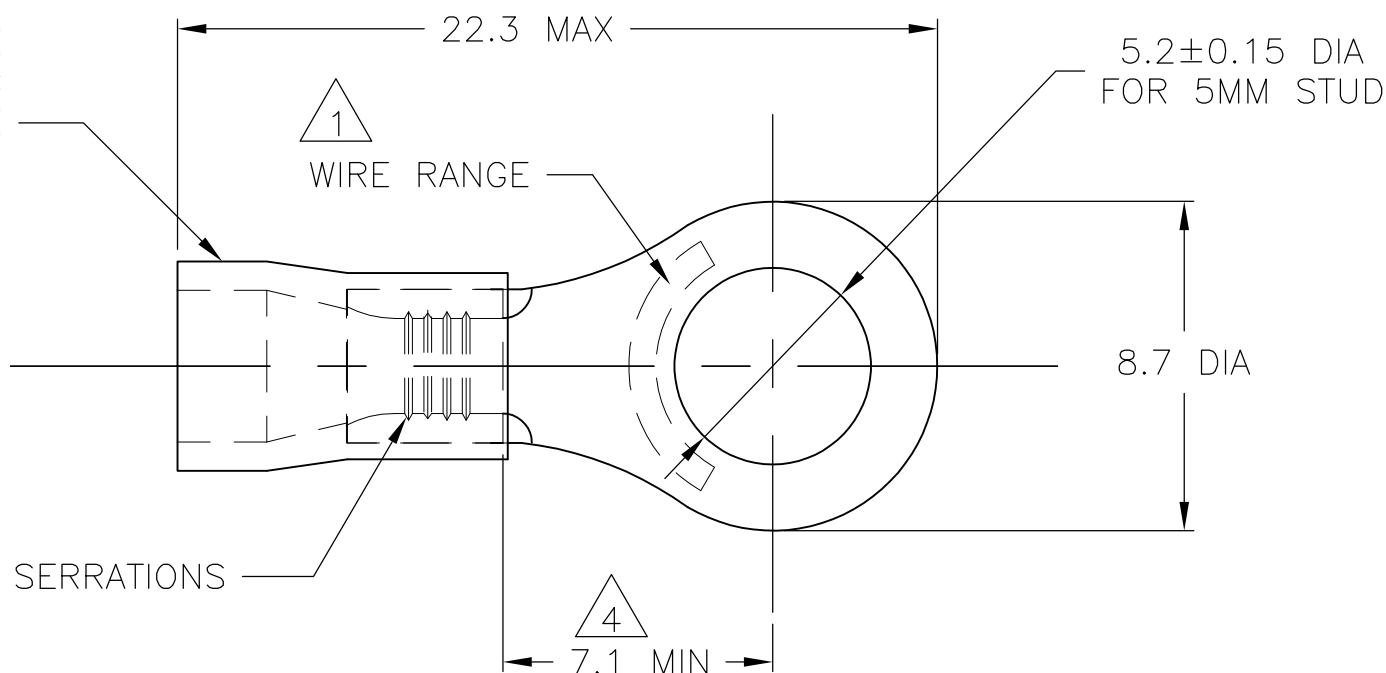
ALL RIGHTS RESERVED.

LOC G DIST 02

REVISIONS

P	LTR	DESCRIPTION	DATE	DWN	APVD
	E1	REVISED PER ECO-11-005027	11MAR11	RK	HMR

INSULATION SLEEVE MATERIAL: PVC COLOR: BLUE



AMP WIRE RANGE	Listed FILE E13288
16-14 AWG SOLID OR STRANDED	16-14 AWG SOLID OR STRANDED

- 1 WIRE SIZE IS 16-14 AWG
- 2 WIRE INSULATION DIA: 3.0-4.9
- 3 MATERIAL THICKNESS IS 0.80±0.05
- 4 DIMENSION APPLIES FROM EDGE OF METAL WIRE BARREL TO CENTER OF STUD HOLE.
- 5 600 VOLT MAX
- 6 CIRCULAR MIL AREA, 2,050 - 5,180 (1.04mm²-2.62mm²)
- 7 SUPERSEDED BY 130102

PLASTIC BAG W/HEADER	STANDARD	100	7 8-130102-0
TAPED MOUNTED	STANDARD	5000	2-130102-1
PLASTIC BAG	STANDARD	1000	130102
PACKAGING	LABELLING	QTY	PART NO

THIS DRAWING IS A CONTROLLED DOCUMENT.		DWN jr ruth 06DEC05	TE Connectivity	
DIMENSIONS: mm		CHK T MICHELUTTI 06DEC05		
TOLERANCES UNLESS OTHERWISE SPECIFIED:		APVD T MICHELUTTI 06DEC05	NAME	
0 PLC ± -		PRODUCT SPEC	TERMINAL, RING TONGUE, PLASTI-GRIP,	
1 PLC ± 0.5		APPLICATION SPEC	SIZE	RESTRICTED TO
2 PLC ± -		WEIGHT	CAGE CODE	
3 PLC ± -			DRAWING NO	
4 PLC ± -			SCALE	
ANGLES ± 1°			SHEET	
FINISH			REV	
MATERIAL				
		CUSTOMER DRAWING		
		SCALE 5:1		
		SHEET 1 OF 1		
		REV E1		