

# Data sheet

## RP015xxWBLC Type 049

Page 1/6

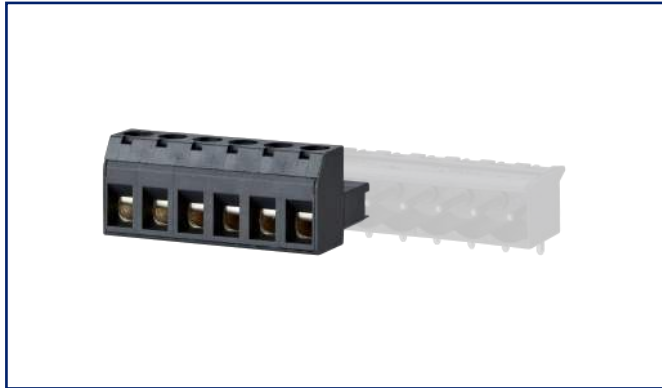
P/N  
310491xx

xx=number of poles

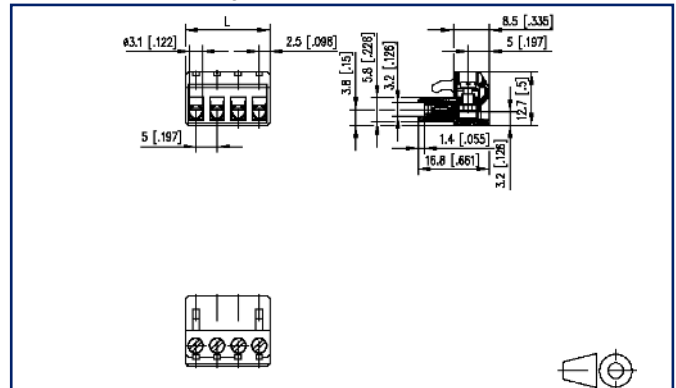
2023/06/26

Version: T

### Illustrations



Dimensional drawing



See enlarged drawings at the end of document

### Product specification

- screw type terminal block, pluggable
- centerline 5.00 mm, direction of connection vertical 0°
- lift system, fittable without loss of poles
- color black
- wire entry uncodeable side parallel to plug direction, lamella

**Technical Data**


**General Data**

Tightening torque SEV	0.5 Nm		
Tightening torque UL	4.4 lb-in		
min. number of poles	2		
max. number of poles	24		
Insulating material class	CTI 600		
clearance/creepage dist.	4.7 mm		
Protection category	IP20		
Min. insul. strip length	6 mm		
Rated current	10 A		
Overvoltage category	III	III	II
Pollution degree	3	2	2
Rated voltage	160 V	400 V	400 V
Rated test voltage	2.5 kV	2.5 kV	2.5 kV

**Terminal data**

rat.wiring solid AWGmax	0.33 mm <sup>2</sup> - 2.5 mm <sup>2</sup> / AWG 22 - AWG 12		
rat.wiring strand.AWGmax	0.33 mm <sup>2</sup> - 2.5 mm <sup>2</sup> / AWG 22 - AWG 12		

**Approvals**

 V / A / AWG	300 / 15 / 22 - 12		
---	--------------------	--	--

approval UL - File No.	E121004		
------------------------	---------	--	--

 2.5 mm <sup>2</sup>	320 V / 4 kV / 13.5 A		
---	-----------------------	--	--

**Material**

insulating material	PA66		
flammability class	V0		
contact material	CuBe		
Contact surface	Ni + Ag		
terminal body thread	M3		
terminal body material	CuZnPb		
terminal body surface	Ni		
screw thread	M3		
screw material	8,8		

**Data sheet**  
**RP015xxWBLC Type 049**

Page 3/6

P/N  
**310491xx****xx=number of poles**

2023/06/26

Version: T

**Technical Data**

screw surface	Zn Cr(VI)-frei/free
wire protector material	CuNiZn
Glow-Wire Flammability GWFI	960 °C acc. to IEC 60695-2-12
Glow-Wire Flammability GWIT	775 °C acc. to IEC 60695-2-13

**Climatic Data**

upper limit temperature	105 °C
lower limit temperature	-40 °C

**general**

Tolerance	ISO 2768 -mH
-----------	--------------

# U | Contact

Data sheet  
RP015xxWBLC Type 049

Page 4/6

P/N  
310491xx

xx=number of poles

2023/06/26

Version: T

## Accessories

P/N	Designation
716906	Coding comb orange

© 2023 METZ CONNECT - Technische Änderungen vorbehalten! Subject to modifications! Sous réserve de modifications techniques!

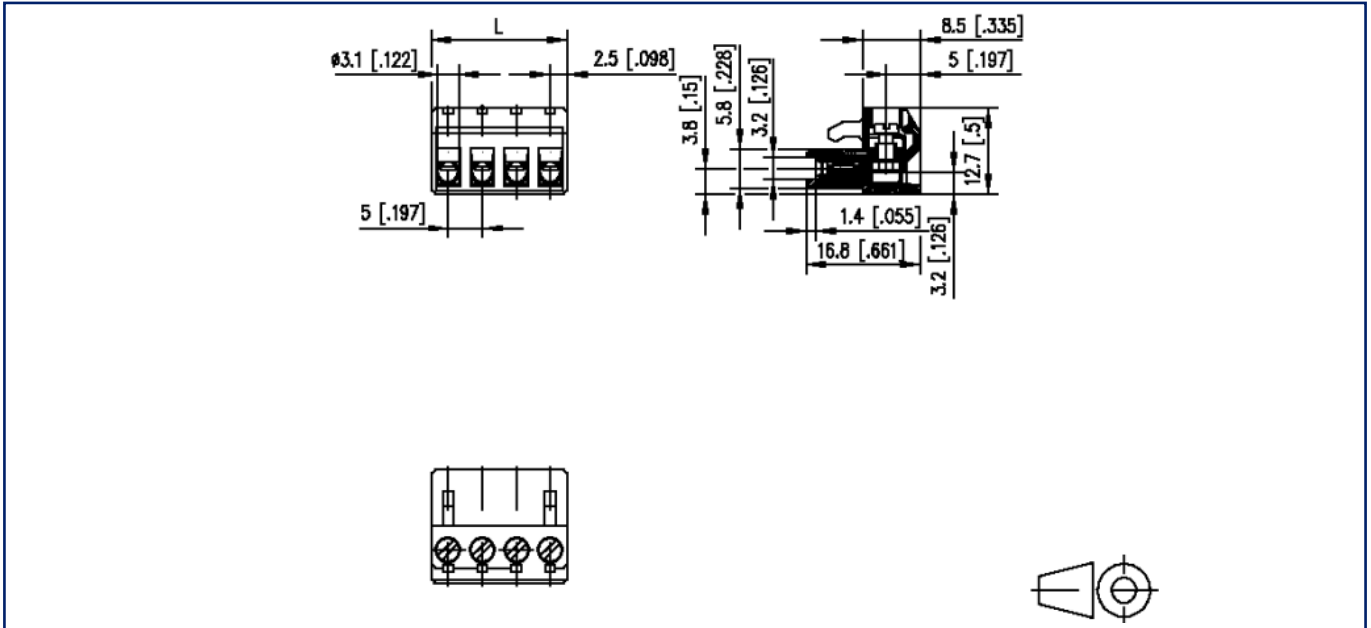


## Counterpart

P/N	Designation
310191	PT045xxVBEC Type 019
310201	PT045xxVBBN Type 020
310291	PT045xxHBEC Type 029
310301	PT045xxHBBN Type 030
310311	PT045xxHBVC Typ 031
310321	PT045xxHBVN Typ 032
310341	PT045xxHBON Typ 034

## Illustrations

Dimensional drawing



$L = (\text{pole size} - 1) \times \text{centerline} + 5 \text{ mm [0.197]}$