

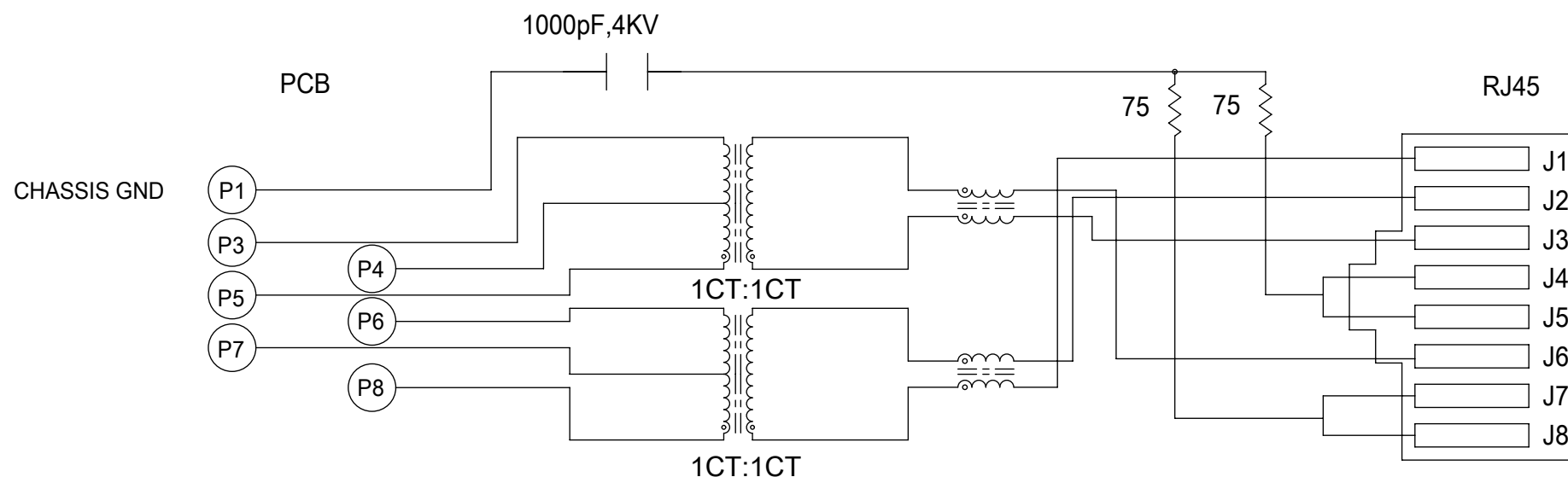
NOTES:

- MATERIAL:  
METAL SHELL: BRASS  
HOUSING: POLYAMIDE, GLASS FIBER FILLED, UL94-0,COLOR BLACK  
INSERT: POLYAMIDE, GLASS FIBER FILLED, UL94-0,COLOR BLACK  
TERMINAL: PHOSPHOR BRONZE
- PLATING:  
TERMINAL:  
CONTACT AREA: GOLD(Au), THICKNESS=50 MICROINCH/1.27 MICROMETER  
SOLDER TAIL: TIN(Sn), THICKNESS=100 MICROINCH MINIMUM  
UNDER PLATE: NICKEL (Ni).  
METAL SHELL:  
SOLDER TAIL: TIN(Sn), THICKNESS=100 MICROINCH MINIMUM  
UNDER PLATE: NICKEL (Ni),(SOLDERING AVAILABLE)  
SURFACE APPEARANCE: BRIGHT.
- RECOMMENDED PCB THICKNESS: 1.60±0.05
- PRODUCT SPECIFICATION REFER TO PS-48025-005
- TEST SUMMARY REFER TO TS-48025-011
- PACKAGING SPECIFICATION REFER TO PK-48025-001
- LEAD FREE AND RoHS COMPLIANT PRODUCT.

SYMBOLS		THIS DRAWING CONTAINS INFORMATION THAT IS PROPRIETARY TO MOLEX ELECTRONIC TECHNOLOGIES, LLC AND SHOULD NOT BE USED WITHOUT WRITTEN PERMISSION		CURRENT REV DESC:			molex		
DIMENSION UNITS	SCALE				DOC TYPE	DOC PART	REVISION		
mm	1:1				PSD	001	C1		
GENERAL TOLERANCES (UNLESS SPECIFIED)		EC NO: 637574			MODULAR JACK (4KV) WITH INTEGRATED MAGNETICS WITHOUT LED				
ANGULAR TOL ± 3.0°		DRWN: CCHEN103 2019/08/30			PRODUCT CUSTOMER DRAWING				
4 PLACES ±		CHK'D: SHLENI 2020/05/28			DOCUMENT NUMBER			SD-48025-011	
3 PLACES ±		APPR: SHLENI 2020/05/28			MATERIAL NUMBER			48025-3090	
2 PLACES ± 0.25		INITIAL REVISION:			CUSTOMER			GENERAL MARKET	
1 PLACE ± 0.25		DRWN: ALLIN 2006/10/04			SHEET NUMBER			1 OF 2	
0 PLACES ±		APPR: WWSCHANG 2006/10/04							
DRAFT WHERE APPLICABLE MUST REMAIN WITHIN DIMENSIONS		THIRD ANGLE PROJECTION	DRAWING	SERIES					
			B-SIZE	48025					

ELECTRICAL SPECIFICATIONS:

- 1.0 TURNS RATIO:(P5-P4-P3):(J3-J6):1CT:1CT  
(P8-P7-P6):(J1-J2):1CT:1CT
- 2.0 INDUCTANCE:(P8-P6):350uH MIN. @0.1V,100KHz,8mA DC Bias.  
(P3-P5):350uH MIN. @0.1V,100KHz,8mA DC Bias.
- 3.0 LEAKAGE INDUCTANCE:P5-P3(WITH J6 AND J3 SHORT):0.3 MAX.@1MHz.  
P8-P6(WITH J2 AND J1 SHORT):0.3 MAX.@1MHz.
- 4.0 INTERWINNING CAPACITANCE:(P5,P4,P3) TO (J6,J3):30pf MAX @1MHz.  
(P8,P7,P6) TO (J2,J1):30pf MAX @1MHz.
- 5.0 DC RESISTANCE:(J6-J3)=(J2-J1):1.2 ohms Max.
- 6.0 RETURN LOSS:(P5-P3)=100 OHMS(P8-P6)=100 OHM REF.  
1MHz TO 30MHz:18db min.:18dB MIN.  
30MHz TO 80MHz:12db min.12dB MIN.  
NOTE:100 OHMS CONNECTED TO (J2-J1) TO (J6-J3).
- 7.0 HI-POT:(J1,J2) TO (P8,P6):1500 VAC.  
(J3,J6) TO (P5,P3):1500 VAC.
- 8.0 INSERTION LOSS:RS=RL=100 ohms:1.1 dB MAX.  
100KHz TO 100MHz.
- 9.0 CROSS TALK:1-100 MHz:30 dB MIN.
- 10.0 COMMON TO COMMON MODE REJECTION:1MHz TO 100MHz:35 dB MIN.



MAGNETIC SCHEMATIC

SYMBOLS	THIS DRAWING CONTAINS INFORMATION THAT IS PROPRIETARY TO MOLEX ELECTRONIC TECHNOLOGIES, LLC AND SHOULD NOT BE USED WITHOUT WRITTEN PERMISSION		CURRENT REV DESC:			<b>molex</b>		
	DIMENSION UNITS	SCALE						
▽ = 0	mm	1:1	DRWN: SHLENI	2020/05/28	PRODUCT CUSTOMER DRAWING			
▽ = 0	GENERAL TOLERANCES (UNLESS SPECIFIED)		CHK'D: SHLENI	2020/05/28				DOCUMENT NUMBER
▽ = 0	ANGULAR TOL ± 3.0°		APPR: SHLENI	2020/05/28	SD-48025-011			
▽ = 0	4 PLACES ±		INITIAL REVISION:					DOC TYPE
▽ = 0	3 PLACES ±		DRWN: ALLIN		PSD			
▽ = 0	2 PLACES ± 0.25		APPR: WWSCHANG					DOC PART
▽ = 0	1 PLACE ± 0.25		2006/10/04		REVISION			
▽ = 0	0 PLACES ±		2006/10/04					C1
▽ = 0	DRAFT WHERE APPLICABLE MUST REMAIN WITHIN DIMENSIONS		THIRD ANGLE PROJECTION	DRAWING	SERIES	MATERIAL NUMBER	CUSTOMER	
▽ = 0				B-SIZE	48025	48025-3090	GENERAL MARKET	2 OF 2