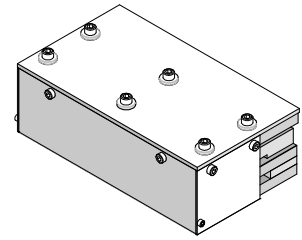


**2-by-12  
Stacked Multi-Port  
Removal Tool**



**Application Tooling  
Specification Sheet**



**Order No. 62202-5290**

**FEATURES**

- Lightweight tool used in the removal of Stacked Multi-Port connectors in a PCB
- Removes connector in a PCB without damage to the board
- Use tool 62202-5280 for inserting connectors

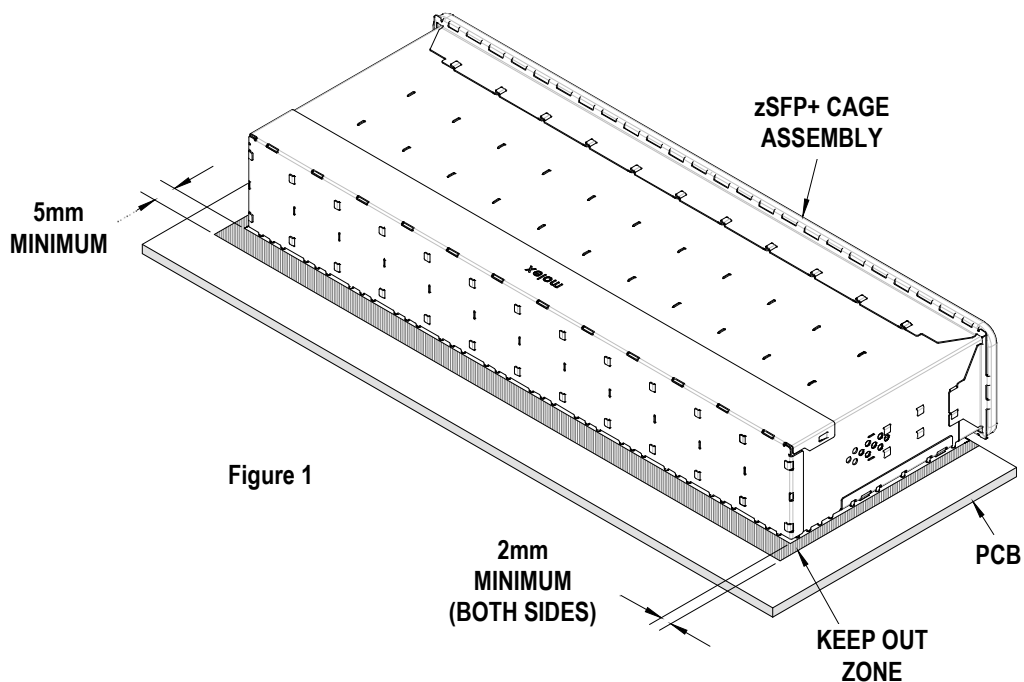
**SCOPE**

Products: Small Form-factor Pluggable (zSFP+) 2-by-12 Multi-Port Connector with Press-fit PC Tails.

Connector Series No.	Connector Order No.					
170071	170071-1201	170071-1211	170071-1212	170071-1213	170071-1214	170071-1215
171224	171224-1201	171224-1209	171224-1211	171224-1212	171224-1213	171224-1214
	171224-1215	171224-1230	171224-1231	171224-1241	171224-1242	171224-1250
	171224-1260	171224-1261				
172501	172501-1202					

**Notes:**

1. See the following pages for tooling operation instructions.
2. These tools require a "Keep Out Zone" around the connector free of components. The right and left sides should be 0.08" (2mm). The rear of the connector should be .197" (5.0mm). See Figure 1.



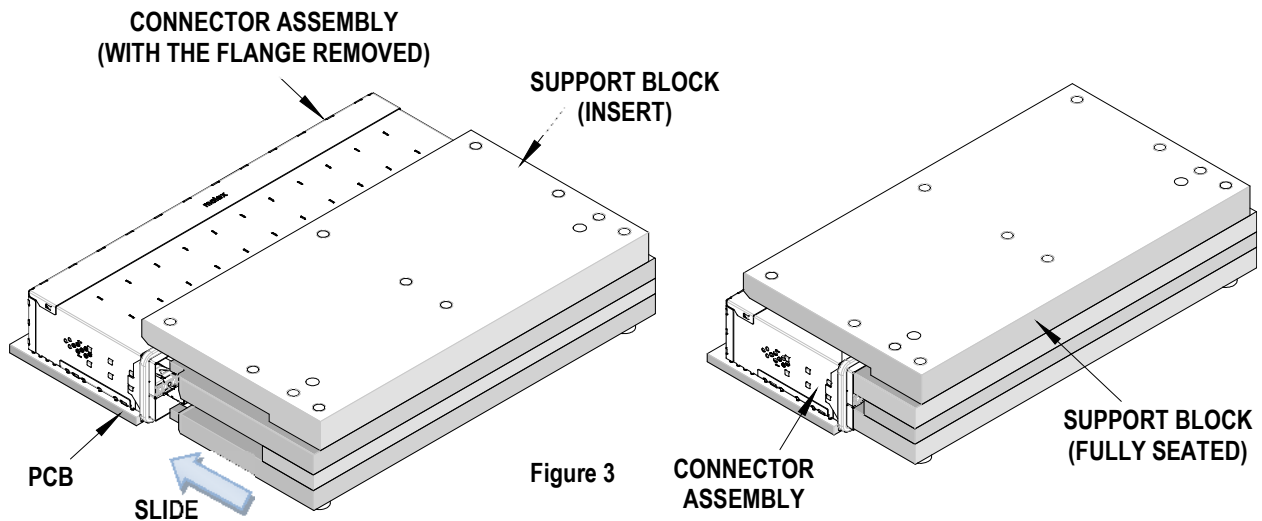
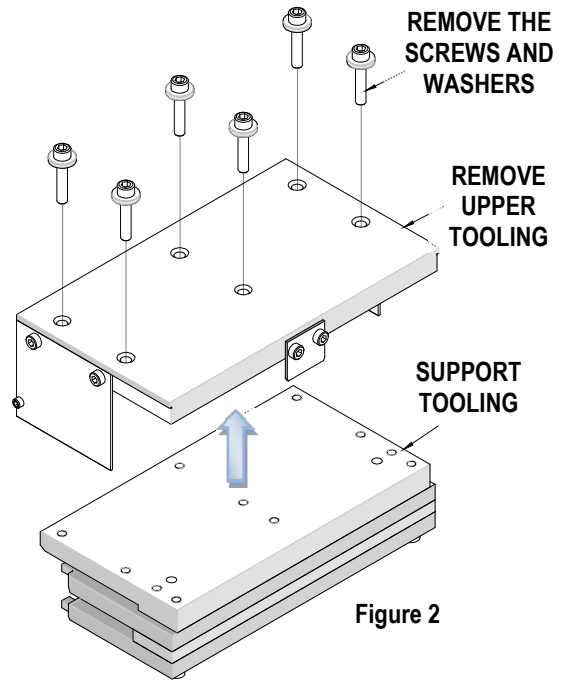
**Figure 1**

## Description

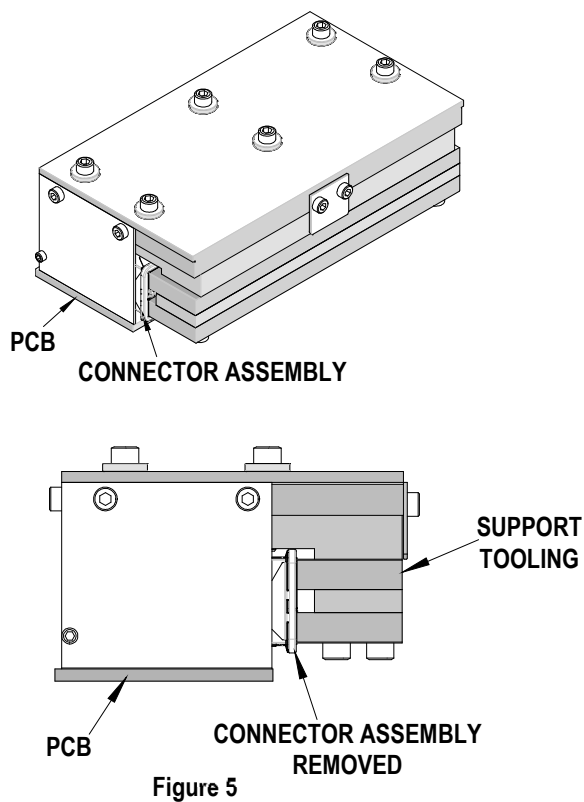
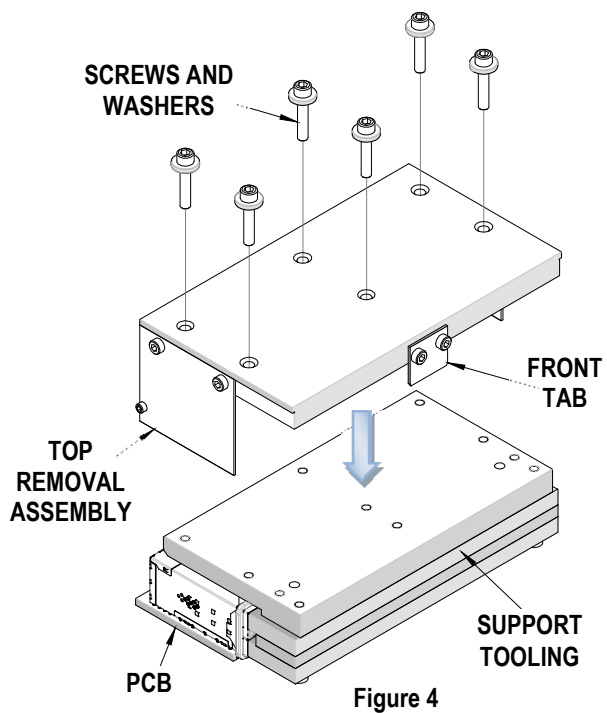
The following instructions are used for removing a 2-by-12 connector from a PCB:

## Operation

1. Disassemble the two halves as delivered by unscrewing the screws on the top of the upper tooling. See Figure 2.
2. Remove the upper tooling from the support tooling.
3. For the zSFP+ product, remove the flange, if applicable, from the connector assembly to ensure full insertion of support tooling into connector ports.
4. Insert the support block assembly into the connector assembly until it is fully seated. See Figure 3.



5. Place the top removal assembly over the support block and the connector assembly, aligning the front tab of the top removal assembly with the back edge of the support block. See Figure 4.
6. Place the washers and screws into the holes in the top removal assembly, and turn until seated on the top plate using a 5/32" hex wrench to tighten the screws.
7. Tighten each screw, one turn in an alternating pattern, until the connector assembly is removed from the PCB. See Figure 5.



**CAUTION:** Molex application tooling specifications are valid only when used with Molex connectors and tooling.

### Application Tooling Support

Phone: (402) 458-TOOL (8665)  
E-Mail: [applicationtooling@molex.com](mailto:applicationtooling@molex.com)  
Website: [www.molex.com/applicationtooling](http://www.molex.com/applicationtooling)

Molex is a registered trademark of Molex, LLC in the United States of America and may be registered in other countries; all other trademarks listed herein belong to their respective owners.