

42169-2 ✓ ACTIVE

TE Internal #: 42169-2

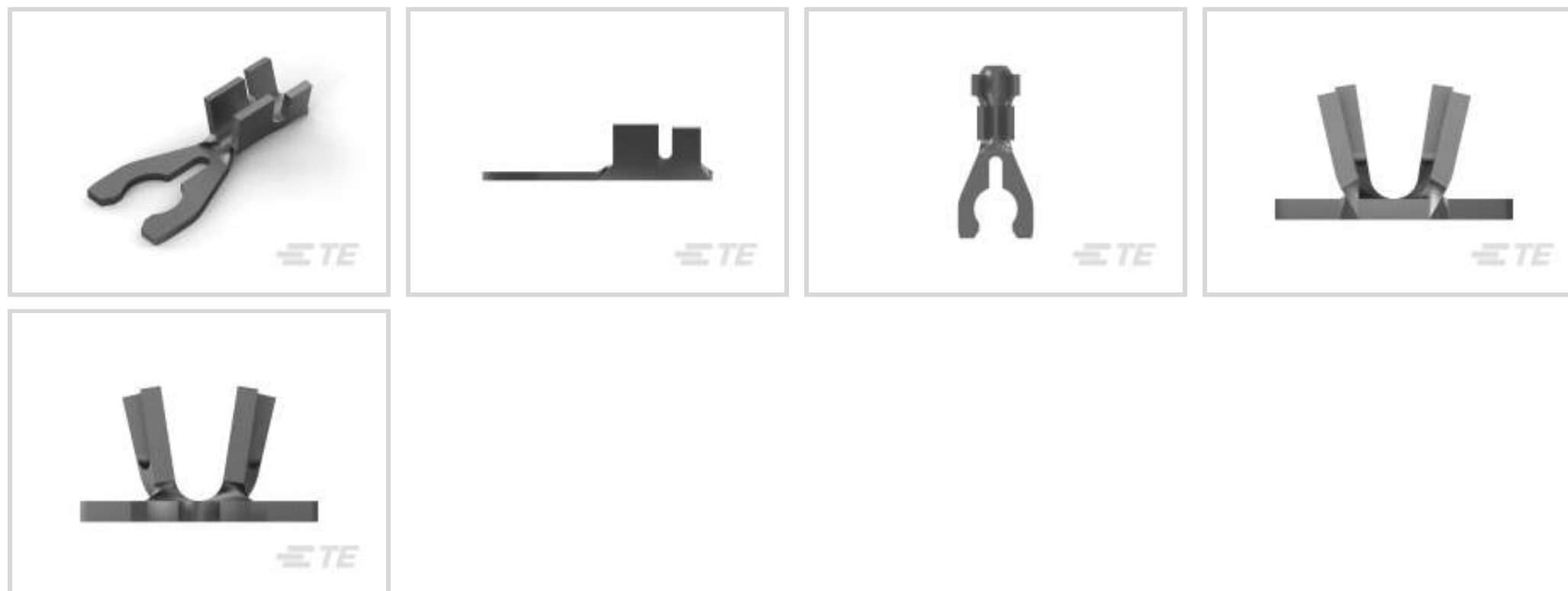
Ring Terminals & Spade Terminals, Spade Tongue, 18 – 14 AWG

Wire Size, .8 – 2 mm<sup>2</sup> Wire Size, 1624 – 4106 CMA Wire Size, Stud Size #10

[View on TE.com >](#)



Terminals & Splices > Ring Terminals & Spade Terminals



Ring & Spade Terminal Type: **Spade Tongue**

Wire Size: **1624 – 4106 CMA**

Stud Size: **#10**

## Features

### Product Type Features

Shape Description	Spring Spade
Stud Size	#10
Sealable	No
Compatible With Discrete Wire Type	Stranded
Wire Insulation Support Retention Type	Insulation Support

### Body Features

Product Weight	1.043 g
----------------	---------

### Contact Features

Contact Base Material	Brass
Ring & Spade Terminal Type	Spade Tongue
Barrel Type	Open
Terminal Orientation	Straight
Terminal Plating Material	Tin
Contact Underplating Material	Nickel

### Mechanical Attachment

Wire Insulation Support	With
-------------------------	------



### Dimensions

	.1 in
Wire Size	1624 – 4106 CMA
Stud Diameter	4.82 mm[.19 in]
Tongue Thickness	.76 mm[.03 in]
Product Length	20.83 mm[.82 in]
Barrel Inside Diameter	1.77 mm, 2.92 mm[.07 in][.115 in]
Compatible Insulation Diameter (Max)	3.56 mm[.14 in]
Compatible Insulation Diameter Range	2.54 – 3.56 mm[.1 – .14 in]

### Usage Conditions

Insulation Option	Uninsulated
Operating Temperature Range	-40 – 110 °C[-40 – 230 °F]

### Operation/Application

Compatible With Wire Base Material	Copper
------------------------------------	--------

### Industry Standards

Government Qualified Terminal	No
-------------------------------	----

### Packaging Features

Packaging Quantity	10000
Packaging Method	Strip/Reel

### Product Compliance

[For compliance documentation, visit the product page on TE.com>](#)

EU RoHS Directive 2011/65/EU	Compliant
EU ELV Directive 2000/53/EC	Compliant
China RoHS 2 Directive MIIT Order No 32, 2016	No Restricted Materials Above Threshold
EU REACH Regulation (EC) No. 1907/2006	Current ECHA Candidate List: JUNE 2023 (235) Candidate List Declared Against: JAN 2023 (233) Does not contain REACH SVHC
Halogen Content	Low Halogen - Br, Cl, F, I < 900 ppm per homogenous material. Also BFR/CFR/PVC Free
Solder Process Capability	Not applicable for solder process capability

Product Compliance Disclaimer

This information is provided based on reasonable inquiry of our suppliers and represents our current actual knowledge based on the information they provided. This information is subject to change. The part numbers that TE has identified as EU RoHS compliant have a maximum concentration of 0.1% by weight in homogenous materials for lead, hexavalent chromium, mercury, PBB, PBDE, DBP, BBP, DEHP, DIBP, and 0.01% for cadmium, or qualify for an exemption to these limits as defined in the Annexes of Directive 2011/65/EU (RoHS2). Finished electrical and electronic equipment products will be CE marked as required by Directive 2011/65/EU. Components may not be CE marked. Additionally, the part numbers that TE has identified as EU ELV compliant have a maximum concentration of 0.1% by weight in homogenous materials for lead, hexavalent chromium, and mercury, and 0.01% for cadmium, or qualify for an exemption to these limits as defined in the Annexes of Directive 2000/53/EC (ELV). Regarding the REACH Regulation, the information TE provides on SVHC in articles for this part number is based on the latest European Chemicals Agency (ECHA) 'Guidance on requirements for substances in articles' posted at this URL: <https://echa.europa.eu/guidance-documents/guidance-on-reach>

## Compatible Parts



TE Part # 1742173-1  
SPRING SPADE TERMINAL 18-14 AWG TPBR



TE Part # 2-2150754-1  
OCEAN\_2.0\_APPLICATOR-E-130F180F



TE Part # 2-2150754-2  
OCEAN\_2.0\_APPLICATOR-E-130F180FA



TE Part # 2150754-1  
OCEAN\_2.0\_APPLICATOR-E-130F180F



TE Part # 2150754-2  
OCEAN\_2.0\_APPLICATOR-E-130F180FA



TE Part # 7-2150754-1  
OCEAN\_2.0\_APPLICATOR-E-130F180F



TE Part # 7-2150754-2  
OCEAN\_2.0\_APPLICATOR-E-130F180FA



TE Part # 7-2150754-7  
OCEAN\_2.0\_SPARE\_PART\_KIT-130F180F

## Customers Also Bought



TE Part #1-2132781-2  
12P EP-II HOUSING, NATURAL



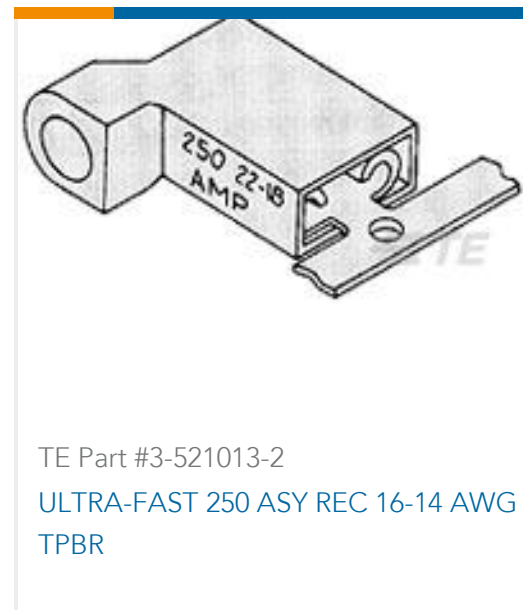
TE Part #350570-7  
UMNL SOK 24-18 AUBR



TE Part #174670-1  
KEYING PLUG MINI U-M-N-L



TE Part #42111-3  
RING TONGUE TERMINAL 18-14 AWG TPBR



## Documents

### Product Drawings

#### SPRING SPADE TERMINAL 18-14 AWG TPBR

English

### CAD Files

#### 3D PDF

3D

#### Customer View Model

[ENG\\_CVM\\_CVM\\_42169-2\\_AE\\_c-42169-2-ae.2d\\_dxf.zip](#)

English

#### Customer View Model

[ENG\\_CVM\\_CVM\\_42169-2\\_AE\\_c-42169-2-ae.3d\\_igs.zip](#)

English

#### Customer View Model

[ENG\\_CVM\\_CVM\\_42169-2\\_AE\\_c-42169-2-ae.3d\\_stp.zip](#)

English

By downloading the CAD file I accept and agree to the [Terms and Conditions](#) of use.

### Product Specifications

#### Application Specification

English

### Product Environmental Compliance

#### Product Compliance

English

#### Product Compliance

English



[Agency Approvals](#)

[UL Report](#)

English