

Technical specification:

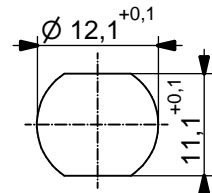
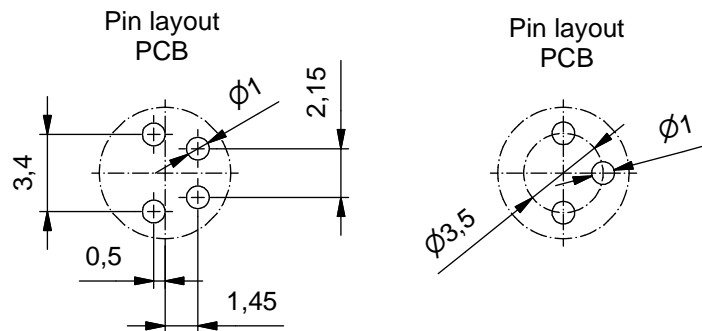
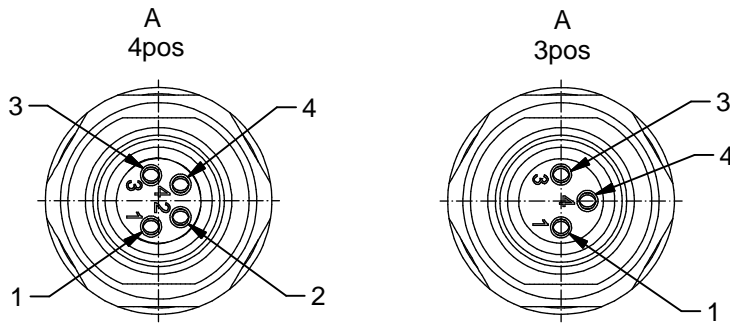
Rated voltage: IEC 61076-2-104	3pos 60 V	4pos 30 V
Current rating: IEC 61076-2-104	3/4pos 3 A at 40°C	
Insulation resistance: IEC 60512	>=100 MΩ	
Pollution degree: IEC 60664-1	3/2	
Degree of protection: IEC 60529	IP 67, in mated condition	
Temperature range:	-30°C ... +80°C	
Mating cycles: IEC 60512-9a	>=100	

Materials:

Contact:	CuZn
Contact plating:	Nickel, gold plated
Contact carrier:	PA6, UL 94
Sealing:	FPM
Counternut:	CuZn, nickel plated
Socket housing:	CuZn, nickel plated
Grouting:	Polyurethane-resin, UL 94

Installation specification:

Recommended torque:	0,6-0,8 Nm
Conec installation tool:	Torque wrench: 36-000200 Insert across flats 14: 36-000370



Minimum wall thickness 1,5mm, alternativ panel cut-out d=12,1



Part-No.:	Description:	Pos	Length L:
42-01144	SAL - 8 - FKH4 - P5,5	4	5,5mm
42-01143	SAL - 8 - FKH3 - P5,5	3	

DO NOT ALTER CAD DRAWING BY HAND Directive 2011/65/EU RoHS compliant	dim. in mm	title: Female socket M8x1 with dip solder, backmounting										
	<table border="1" style="font-size: 8px;"> <tr> <td></td> <td>date</td> <td>name</td> </tr> <tr> <td>drawn</td> <td>12.08.13</td> <td>Christen</td> </tr> <tr> <td>appd.</td> <td>12.08.13</td> <td>Mankopf</td> </tr> </table>				date	name	drawn	12.08.13	Christen	appd.	12.08.13	Mankopf
		date	name									
	drawn	12.08.13	Christen									
appd.	12.08.13	Mankopf										
general tolerance: <table style="font-size: 8px; margin-left: 10px;"> <tr> <td>0</td> <td>± 0,50mm</td> </tr> <tr> <td>0,0</td> <td>± 0,25mm</td> </tr> <tr> <td>0,00</td> <td>± 0,10mm</td> </tr> </table>	0	± 0,50mm	0,0	± 0,25mm	0,00	± 0,10mm	part no:					
0	± 0,50mm											
0,0	± 0,25mm											
0,00	± 0,10mm											

THIS DRAWING MAY NOT BE COPIED OR REPRODUCED IN ANY WAY, AND MAY NOT BE PASSED ON TO A THIRD PARTY WITHOUT WRITTEN PERMISSION. OWNERSHIP AND COPYRIGHT OF CONEC GmbH