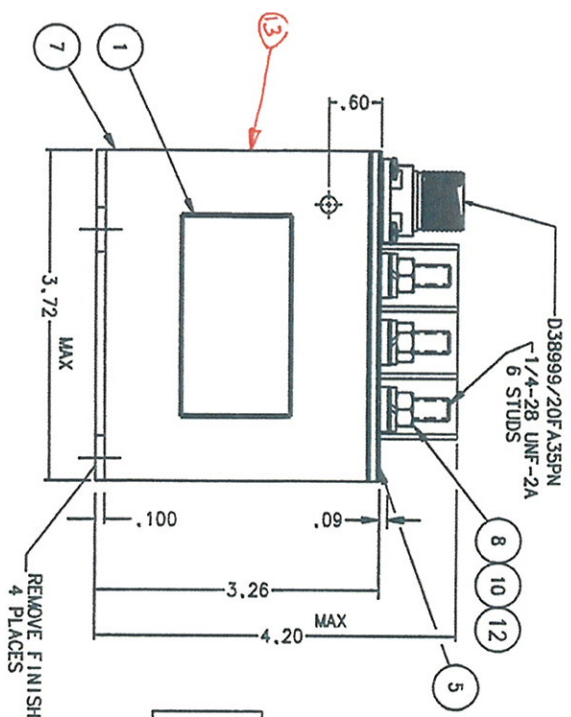
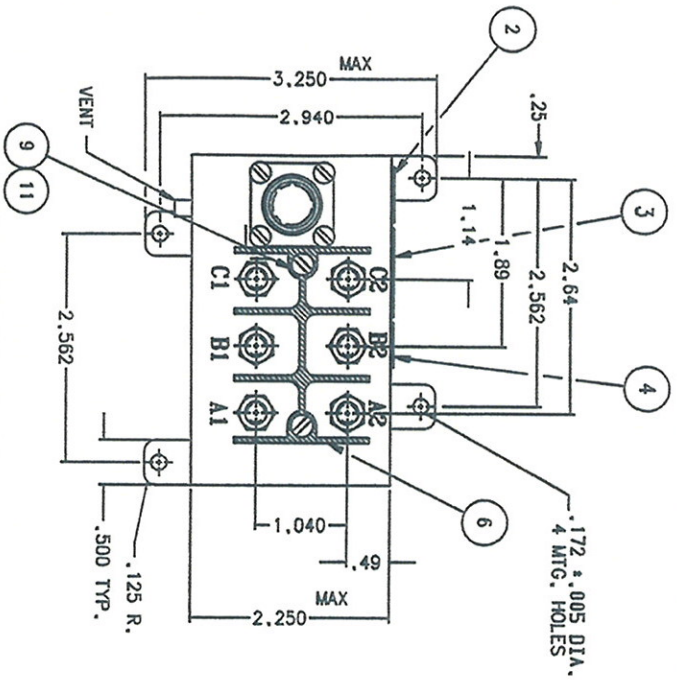


FAA / OMA

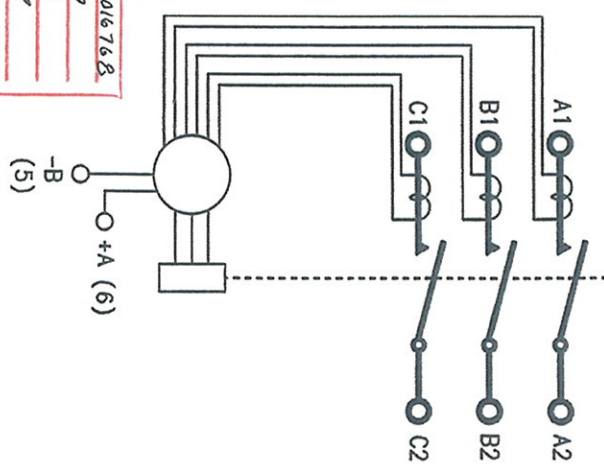


NOTE: FOR PROPER OPERATION, PIN A REQUIRES 18 TO 28 VDC.

CONSTRUCTION MAIN CONTACTS  
 CONFIGURATION VOLTAGE (NOM.)  
 CURRENT RES: MOTOR RUPTURE  
 OPERATE CLOSING OPENING BOUNCE  
 COIL DATA DUTY CYCLE MIN. OPER. MAX. OPER. VOLTAGE RESISTANCE  
 ENVIRONMENTAL DATA OPERATE TEMP. VIBRATION: SINE  
 ALTITUDE LIFE MECHANICAL WEIGHT MAX.  
 TRIP POINTS CURRENT ± 10% 50 AMP 65 AMP 80 AMP & GREATER

GASKET SEALED (VENTED)  
 3PST SIDE STABLE  
 115/208 VAC 400 - 610 HZ  
 35 AMP 50,000 CYCLES  
 30 AMP 50,000 CYCLES  
 1000 AMP  
 35 MS MAX. OVERRIDE AT 28 VDC  
 25 MS MAX. OVERRIDE AT 28 VDC  
 3 MS MAX.  
 CONTINUOUS ECONOMIZED  
 18VDC AT 85°C  
 32 VDC PICKUP - 11.3 OHMS ± 10%  
 HOLD - 114.5 OHMS ± 10%  
 -55°C TO +85°C  
 .036 DA FROM 10 TO 50 HZ  
 10 g FROM 55 TO 2000 HZ  
 50,000 FT. MAX  
 100,000 CYCLES MIN.  
 1.55 LBS.

EC/RCN # EcR-07-016768  
 DATE 6-7-87-17  
 APPROVED LSR  
 PREPARED LSR



REV	DESCRIPTION	RELEASED DATE	APPROVED
A	0139-02 REDESIGNED PACKAGE	02/10/09	
B	0071-03 ADDED 43154-080 REMOVED NOTE	03/01/20	

REV	DESCRIPTION	RELEASED DATE	APPROVED
13	1 58400-1B4 PLATE - FAA/OMA		
12	6 51807-034 WASHER - LOCK, NO. 1/4, SPLIT		
11	2 51804-010 WASHER - LOCK, NO. 4, SPLIT		
10	6 51703-064 WASHER - FLAT 1/2 X 17/64 X .032		
9	2 51204-960 SCREW 4-40 X 7/8 RD. HD.		
8	6 50407-074 NUT 1/4-28 X 3/8 X 3/16 HEX		
7	1 43154-080 CONTRACTOR ASSEMBLY - PRI.		
6	1 42726-001 SHIELD - TERMINAL		
5	1 42912-001 PLATE - BASE COVER		
4	1 41211-001 PLATE - WARNING		
3	1 42913-005 PLATE - WIRING DIAGRAM		
2	1 25695-001 PLATE - WARNING		
1	1 16043-001 PLATE - NAME		

REV	DESCRIPTION	RELEASED DATE	APPROVED
2	PL. DEC. 3 PL. DEC. ANGLES		
1	PL. DEC. 3 PL. DEC. ANGLES		

DR BY	EAD	DATE
DR BY	EAD	02/10/09
ENGR	ENGR	03/01/20
MFG	MFG	03/01/20

CONTR. NO.	GOVT. APPROVAL
CONTR. NO.	GOVT. APPROVAL

DRG. NO.	REF. TYCO P/N
DRG. NO.	REF. TYCO P/N 4-1616917-1

**Tyco Electronics**

18 Harrison Division 175 N. DIAMOND STREET WAINFIELD, OHIO 44602

REMOTE POWER CONTROLLER  
 115/208 VAC 3PST 35 AMP

RA-3100P

093

TE

RA-3100P

REV. C