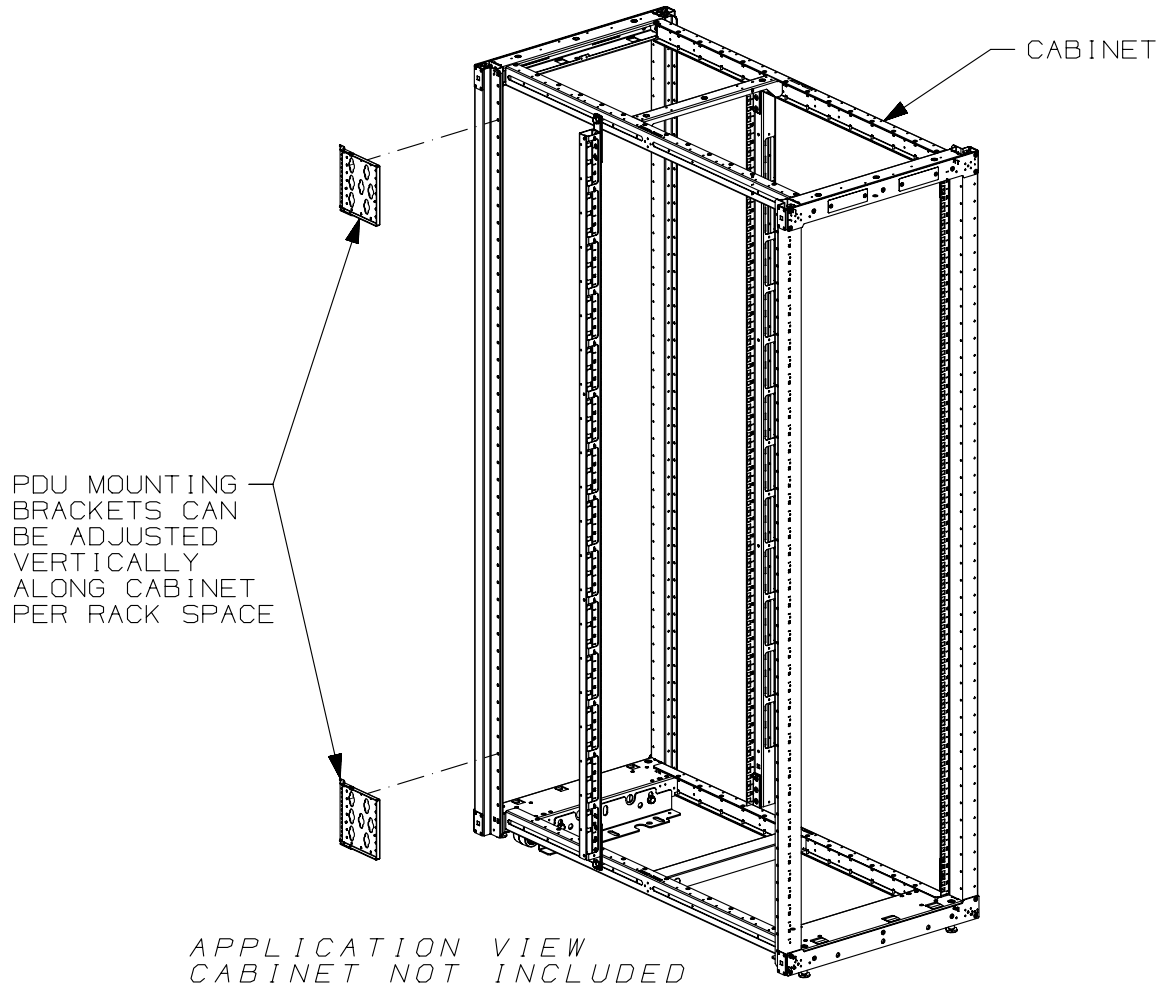


THIS COPY IS PROVIDED ON A RESTRICTED BASIS AND IS NOT TO BE USED IN ANY WAY DETRIMENTAL TO THE INTERESTS OF PANDUIT CORP.

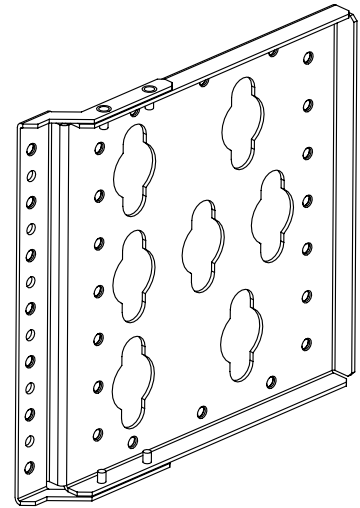
2

1



PANDUIT P/N	WEIGHT
SPDUBRK	2.0 Kg/EACH 4.4 LBS/EACH

- NOTES:
- VISIT OUR ON-LINE CATALOG AT [WWW.PANDUIT.COM](http://WWW.PANDUIT.COM) FOR A LIST OF CURRENT PARTS APPLICABLE FOR USE WITH THIS PRODUCT.
  - PRIMARY DIMENSIONS ARE IN MILLIMETERS (mm).
  - PARTS SUPPLIED:
    - (1) - PAIR OF PDU MOUNTING BRACKETS
    - (1) - HARDWARE KIT
    - (1) - INSTRUCTION SHEET



APPLICATION VIEW  
CABINET NOT INCLUDED

02A	8-29-13	PBS	PIP	KRKE	RELEASED TO PRODUCTION				12V343ZC-DC
REV	DATE	BY	CHK	APR	DESCRIPTION				ECN

TITLE				SPDUBRK			
				CUSTOMER DRAWING			
ITEM REVISION NAME				12V343ZC/02.PRT			
DATASET FILE NAME				12V343ZC_DC_02A.PRT			
UNLESS OTHERWISE SPECIFIED, DIMENSIONAL TOLERANCES ARE:				MATERIAL/COLOR:			
INCHES	+/- 0.06	METRIC - MILLIMETER	+/- 1.5				
X.X	+/- 0.03	X.X	+/- 0.8				
X.XXX	+/- 0.015	X.XX	+/- 0.4				
				DRAWING NUMBER:		12V343ZC-DC	
				THIRD ANGLE PROJECTION			
DRAWN BY	DATE	CHK	SCALE				
PBS	8-29-13	PIP	NONE			SHT 1 OF 2	
						SIZE	
						A	

2

1

