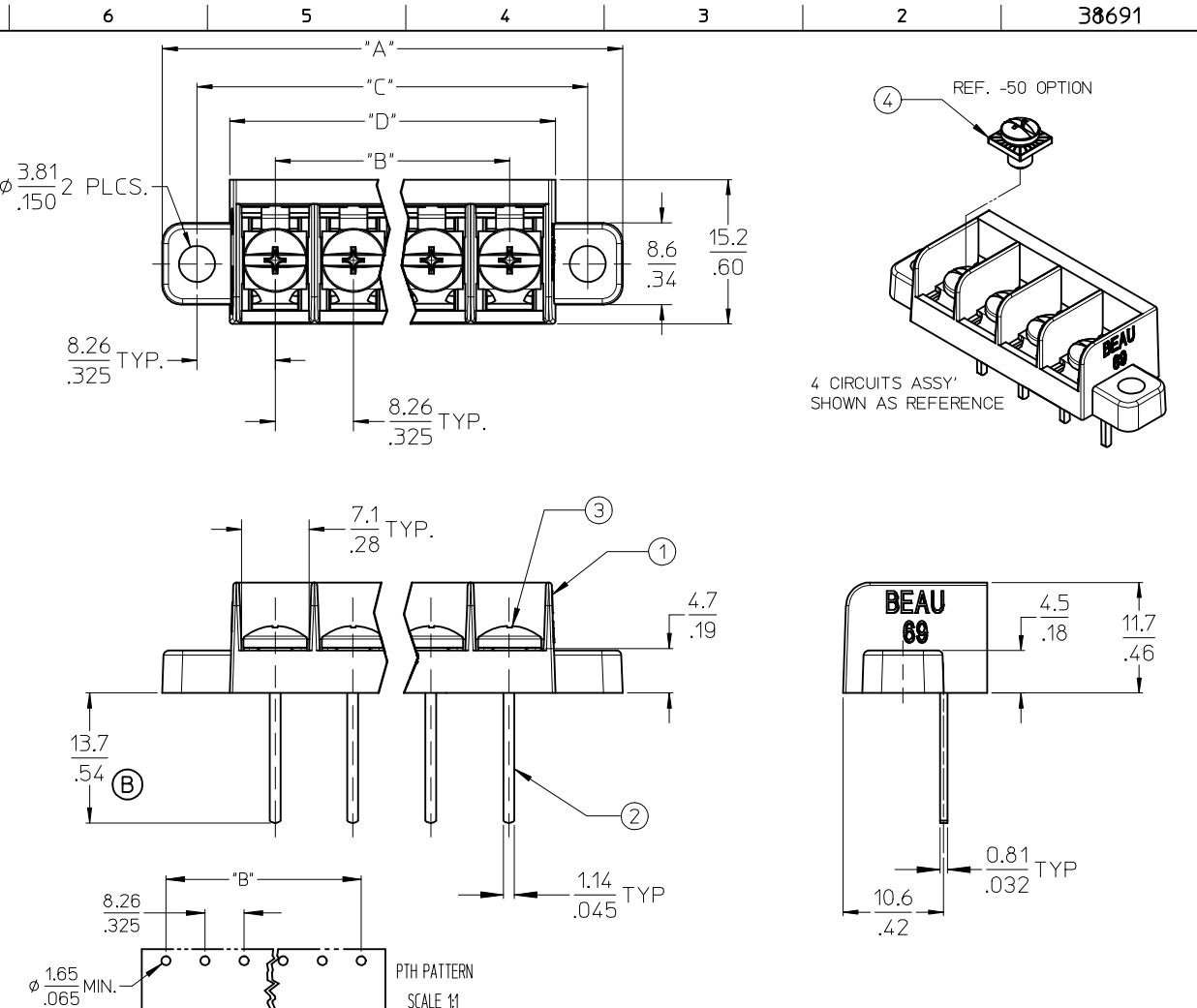


| NO. OF CIRCUITS | DIM. "A" | | DIM. "B" | | DIM. "C" | | DIM. "D" | | ASSEMBLY MATERIAL NO. (STANDARD) | ASSEMBLY MATERIAL NO. (-50 OPT) |
|-----------------|----------|-------|----------|-------|----------|-------|----------|-------|----------------------------------|---------------------------------|
| | mm | in | mm | in | mm | in | mm | in | | |
| 02 | 32.1 | 1.27 | 8.3 | .33 | 24.8 | .98 | 17.9 | .71 | 386912102 | 386913302 |
| 03 | 40.4 | 1.59 | 16.5 | .65 | 33.0 | 1.30 | 26.2 | 1.03 | 386912103 | 386913303 |
| 04 | 48.6 | 1.92 | 24.8 | .98 | 41.3 | 1.63 | 34.4 | 1.36 | 386912104 | 386913304 |
| 05 | 56.9 | 2.24 | 33.0 | 1.30 | 49.5 | 1.95 | 42.7 | 1.68 | 386912105 | 386913305 |
| 06 | 65.2 | 2.57 | 41.3 | 1.63 | 57.8 | 2.28 | 50.9 | 2.01 | 386912106 | 386913306 |
| 07 | 73.4 | 2.89 | 49.5 | 1.95 | 66.0 | 2.60 | 59.2 | 2.33 | 386912107 | 386913307 |
| 08 | 81.7 | 3.22 | 57.8 | 2.28 | 74.3 | 2.93 | 67.4 | 2.66 | 386912108 | 386913308 |
| 09 | 89.9 | 3.54 | 66.0 | 2.60 | 82.6 | 3.25 | 75.7 | 2.98 | 386912109 | 386913309 |
| 10 | 98.2 | 3.87 | 74.3 | 2.93 | 90.8 | 3.58 | 83.9 | 3.31 | 386912110 | 386913310 |
| 11 | 106.4 | 4.19 | 82.6 | 3.25 | 99.1 | 3.90 | 92.2 | 3.63 | 386912111 | 386913311 |
| 12 | 114.7 | 4.52 | 90.8 | 3.58 | 107.3 | 4.23 | 100.5 | 3.96 | 386912112 | 386913312 |
| 13 | 122.9 | 4.84 | 99.1 | 3.90 | 115.6 | 4.55 | 108.7 | 4.28 | 386912113 | 386913313 |
| 14 | 131.2 | 5.17 | 107.3 | 4.23 | 123.8 | 4.88 | 117.0 | 4.61 | 386912114 | 386913314 |
| 15 | 139.4 | 5.49 | 115.6 | 4.55 | 132.1 | 5.20 | 125.2 | 4.93 | 386912115 | 386913315 |
| 16 | 147.7 | 5.82 | 123.8 | 4.88 | 140.3 | 5.53 | 133.5 | 5.26 | 386912116 | 386913316 |
| 17 | 156.0 | 6.14 | 132.1 | 5.20 | 148.6 | 5.85 | 141.7 | 5.58 | 386912117 | 386913317 |
| 18 | 164.2 | 6.47 | 140.3 | 5.53 | 156.8 | 6.18 | 150.0 | 5.91 | 386912118 | 386913318 |
| 19 | 172.5 | 6.79 | 148.6 | 5.85 | 165.1 | 6.50 | 158.2 | 6.23 | 386912119 | 386913319 |
| 20 | 180.7 | 7.12 | 156.8 | 6.18 | 173.4 | 6.83 | 166.5 | 6.56 | 386912120 | 386913320 |
| 21 | 189.0 | 7.44 | 165.1 | 6.50 | 181.6 | 7.15 | 174.8 | 6.88 | 386912121 | 386913321 |
| 22 | 197.2 | 7.77 | 173.4 | 6.83 | 189.9 | 7.48 | 183.0 | 7.21 | 386912122 | 386913322 |
| 23 | 205.5 | 8.09 | 181.6 | 7.15 | 198.1 | 7.80 | 191.3 | 7.53 | 386912123 | 386913323 |
| 24 | 213.7 | 8.42 | 189.9 | 7.48 | 206.4 | 8.13 | 199.5 | 7.86 | 386912124 | 386913324 |
| 25 | 222.0 | 8.74 | 198.1 | 7.80 | 214.6 | 8.45 | 207.8 | 8.18 | 386912125 | 386913325 |
| 26 | 230.3 | 9.07 | 206.4 | 8.13 | 222.9 | 8.78 | 216.0 | 8.51 | 386912126 | 386913326 |
| 27 | 238.5 | 9.39 | 214.6 | 8.45 | 231.1 | 9.10 | 224.3 | 8.83 | 386912127 | 386913327 |
| 28 | 246.8 | 9.72 | 222.9 | 8.78 | 239.4 | 9.43 | 232.5 | 9.16 | 386912128 | 386913328 |
| 29 | 255.0 | 10.04 | 231.1 | 9.10 | 247.7 | 9.75 | 240.8 | 9.48 | 386912129 | 386913329 |
| 30 | 263.3 | 10.37 | 239.4 | 9.43 | 255.9 | 10.08 | 249.0 | 9.81 | 386912130 | 386913330 |
| 31 | 271.5 | 10.69 | 247.7 | 9.75 | 264.2 | 10.40 | 257.3 | 10.13 | 386912131 | 386913331 |
| 32 | 279.8 | 11.02 | 255.9 | 10.08 | 272.5 | 10.73 | 265.6 | 10.46 | 386912132 | 386913332 |

NOTES:
 1. MATERIAL: SEE TABLE
 2. FINISHES: SEE TABLE.
 3. "XX" REFERS TO THE QUANTITY OF CIRCUITS.
 4. ROHS COMPLIANT.

| ITEM | QTY. | DESCRIPTION | MATERIAL | FINISH |
|------|------|--|-----------------|--------------------|
| 4 | XX | SCREW #6-32X.155 PAN PHLZLN/BR/STEEL -50 OPT | STEEL | ZN, CLEAR CHROMATE |
| 3 | XX | SCREW #6-32X.160 PAN PHLN/BRASS (STANDARD) | BRASS | NICKEL PLATE |
| 2 | XX | TERMINAL, PC | BRASS | TIN PLATE |
| 1 | 1 | INSULATOR | POLYESTER (PBT) | BLACK |



| | | | | | | | | |
|---|-------------------------------|---|----------------------------------|---|---|---------------------|----------------------|------------------------|
| DRAWING ERROR EC NO: IPG2013-0687 2012/10/29 DRAWN: JENC INAS 2013/01/14 CHKD: JMACNEIL APPR: JMACNEIL 2013/02/01 | QUALITY SYMBOLS ▽=0 ▽=0 | GENERAL TOLERANCES (UNLESS SPECIFIED) | | DIMENSION STYLE MM/IN | | SCALE 2:1 | DESIGN UNITS INCH | THIRD ANGLE PROJECTION |
| | | 4 PLACES ± --- ± --- 3 PLACES ± --- ± .005 2 PLACES ± 0.13 ± .01 1 PLACE ± 0.3 ± --- | DRAWN BY JENC INAS | DATE 2012/07/17 | TITLE 8.26/.325 SR TRI-BARRIER TERMINAL STRIP CS, PC ASSY | | | |
| | | ANGULAR ± 2° | CHECKED BY JMACNEIL | DATE 2012/07/17 | APPROVED BY JMACNEIL | | | |
| | | DRAFT WHERE APPLICABLE MUST REMAIN WITHIN DIMENSIONS | MATERIAL NO. SEE CHART | DATE 2012/09/14 | MOLEX INCORPORATED DOCUMENT NO. SD-38691-004 | | | |
| | | SIZE B | | THIS DRAWING CONTAINS INFORMATION THAT IS PROPRIETARY TO MOLEX INCORPORATED AND SHOULD NOT BE USED WITHOUT WRITTEN PERMISSION | | | SHEET NO. 1 OF 1 | |