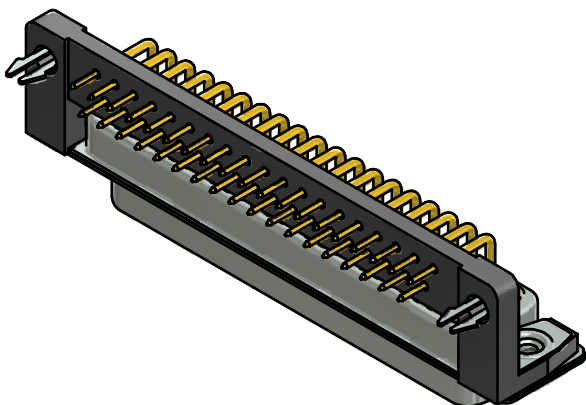


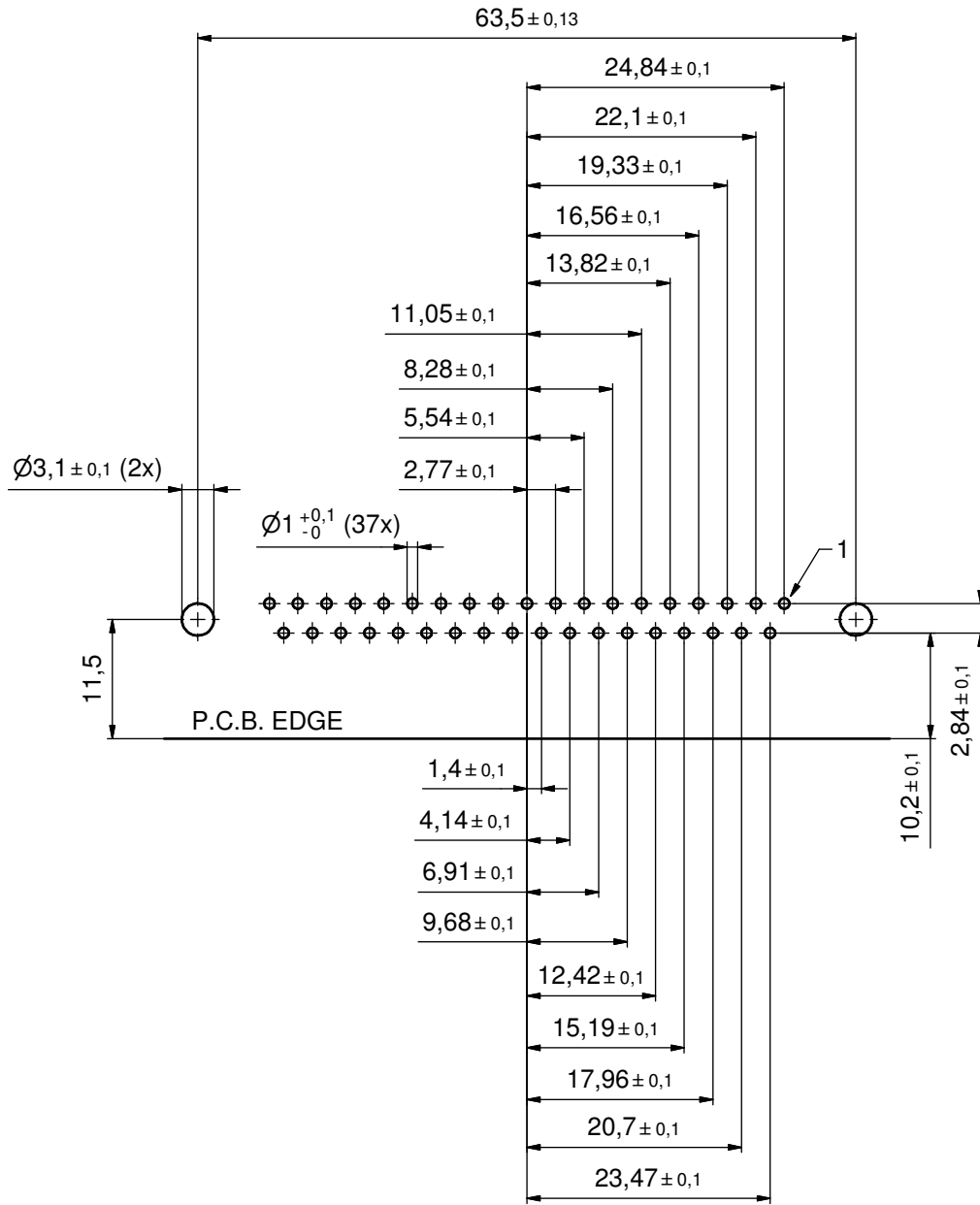
**NOTES:**

1. RoHS COMPLIANT
2. SUITABLE FOR REFLOW SOLDERING (SOLDER BATH TEMPERATURE 260°C FOR 5 SEC AND SOLDER PREHEAT 100°C FOR 30 SEC.)
3. METALSHELLS: STEEL; min. 315µin TIN over 40-80µin NICKEL
4. INSULATORS: HIGH TEMPERATURE PLASTIC UL 94 V-0, BLACK
5. CONTACTS: COPPER ALLOY; PLATING (SEE PART.):
  - PLEASE ADD A for GOLD FLASH over NICKEL (PREFERRED TYPE)
  - PLEASE ADD B for 20µin HARD GOLD over min. 50µin NICKEL
  - PLEASE ADD C for 30µin HARD GOLD over min. 50µin NICKEL
 CONTACT TAILS PRETINNED
6. MOUNTING BRACKET: HIGH TEMPERATURE PLASTIC UL 94 V-0; BLACK
7. THREADED INSERTS: COPPER ALLOY; min. 200µin TIN over 80µin NICKEL
8. GROUNDING CLIPS: COPPER ALLOY; PCB-HOLE: Ø3,1±0,1; THICKNESS 1,6mm
9. CAPACITANCE: 1300pF±20%
10. DIELECTRIC WITHSTANDING VOLTAGE: 424 VDC
11. P.B.C. HOLE DRILLINGS ON SHEET 2
12. MAXIMUM TORQUE VALUE FOR THREAD: 6 in.LB
13. CONNECTOR IS PART MARKED: 242□12890X CONEC ABC



Directive 2002/95/EC RoHS compliant

|  |             |                |           |           |   |
|--|-------------|----------------|-----------|-----------|---|
| THIS DRAWING MAY NOT BE COPIED OR REPRODUCED IN ANY WAY, AND MAY NOT BE PASSED ON TO A THIRD PARTY WITHOUT WRITTEN PERMISSION. OWNERSHIP AND COPYRIGHT OF CONEC GmbH<br><br>DO NOT ALTER CAD DRAWING BY HAND |             |                | tolerance |           | scale: 2:1 (5:1)  |
|  |             |                | date      | name      | material: SEE NOTES   |
|  | drawn       | 03.09.13       | Henneboel |           | title:<br><b>D-SUB C-FILTER FEMALE 90°</b><br>37pos. SOLDER PIN ANGLED 0.370inch<br>threaded insert, mounting bracket, grounding clip |
|  | appd.       | 04.09.13       | Fischer   |           |   |
|  | norm        |                |           | dwg no:   |   |
| d-old  |             |                | DIN-A3    |           |   |
| a  | Original    | <b>CONEC</b> ® |           | 24K1A1466 | sh: 1/2   |
| rev.   | description |                |           | date      | name  |



P.C.B. HOLE DRILLINGS  
(P.C.B. TOP SIDE)

|  |      |             |      |                           |          |                       |   |                      |
|--|------|-------------|------|---------------------------|----------|-----------------------|---|----------------------|
| THIS DRAWING MAY NOT BE COPIED OR REPRODUCED IN ANY WAY, AND MAY NOT BE PASSED ON TO A THIRD PARTY WITHOUT WRITTEN PERMISSION. OWNERSHIP AND COPYRIGHT OF CONEC GmbH<br><br>DO NOT ALTER CAD DRAWING BY HAND |      |             |      | tolerance                 |          | scale: 3:1            |   |                      |
|  |      |             |      | date                      | name     | material: SEE SHEET 1 |   |                      |
|  |      |             |      | drawn                     | 03.09.13 | Henneboel             | title:<br><b>P.C.B. HOLE DRILLINGS</b><br>D-SUB C- FILTER FEMALE 90° 37pos. 0.370inch<br>threaded insert,mounting bracket, grounding clip |                      |
|  |      |             |      | appd.                     | 04.09.13 | Fischer               |   |                      |
|  |      |             |      | norm                      |          |                       |   |                      |
|  |      |             |      | d-old                     |          |                       |   |                      |
|  | a    | Original    |      | <b>CONEC</b> <sup>®</sup> |          |                       | dwg no: 24K1A1466   | DIN-A3               |
|  | rev. | description | date |                           |          |                       | name  | part no: SEE SHEET 1 |