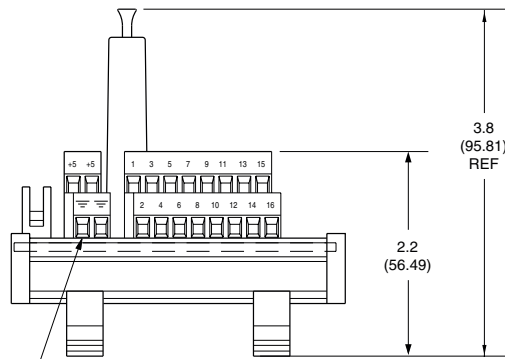
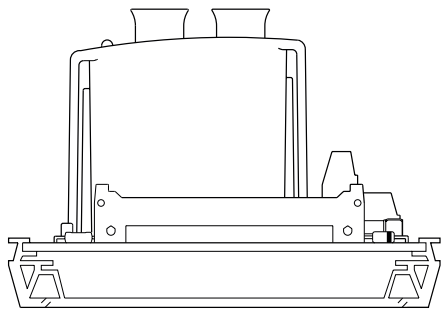
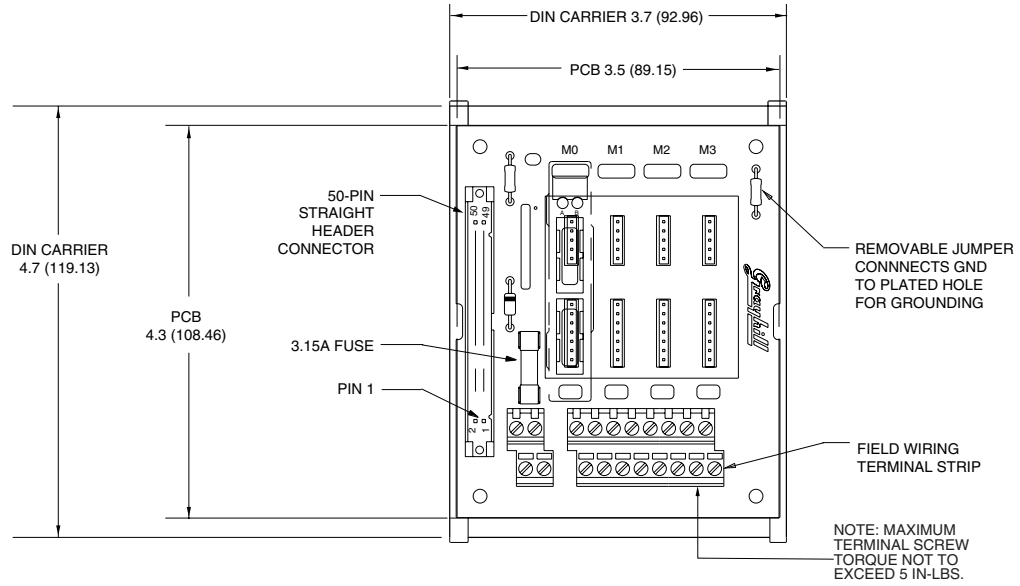


8 CHANNEL RACK: DIN Rail Mount

Part No. 70LRCK8-DIN

Dimensions are shown in inches (and millimeters).
 All tolerances are ± 0.010 (0,25) unless otherwise specified.

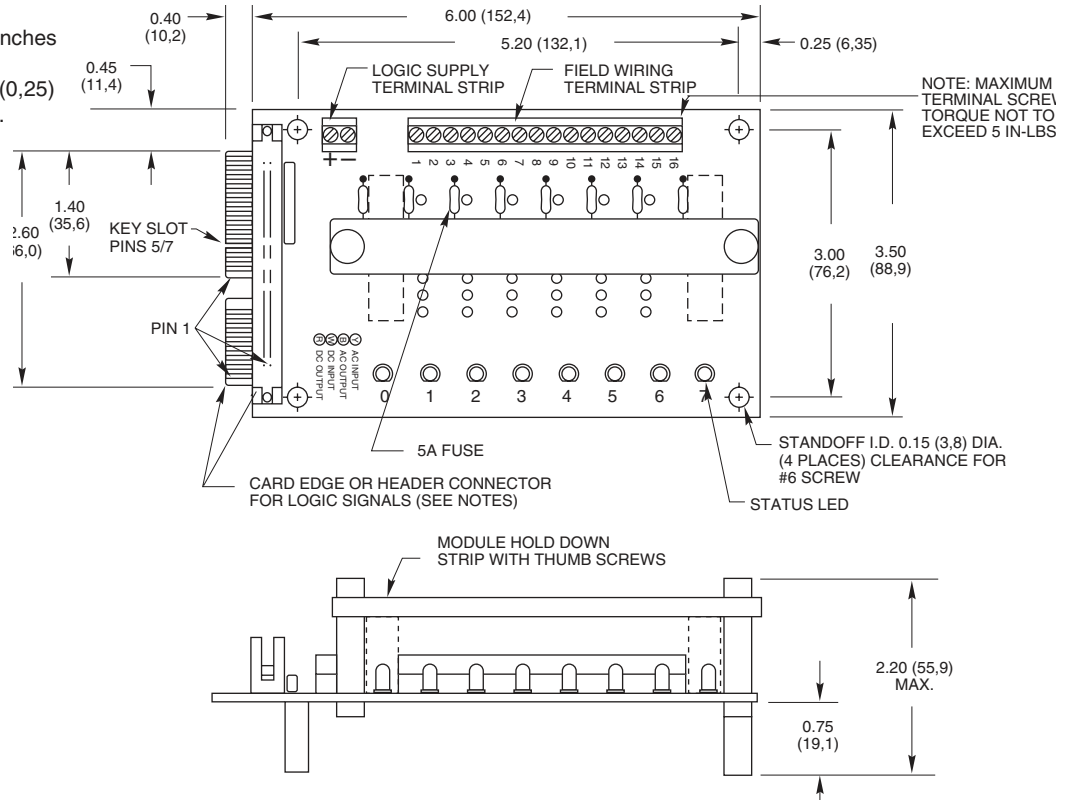


LOGIC SUPPLY TERMINAL STRIP
 TOP ROW: + LOGIC SUPPLY
 BOTTOM ROW: GND

8 CHANNEL RACK: Miniature

Part No. 70MRCK8

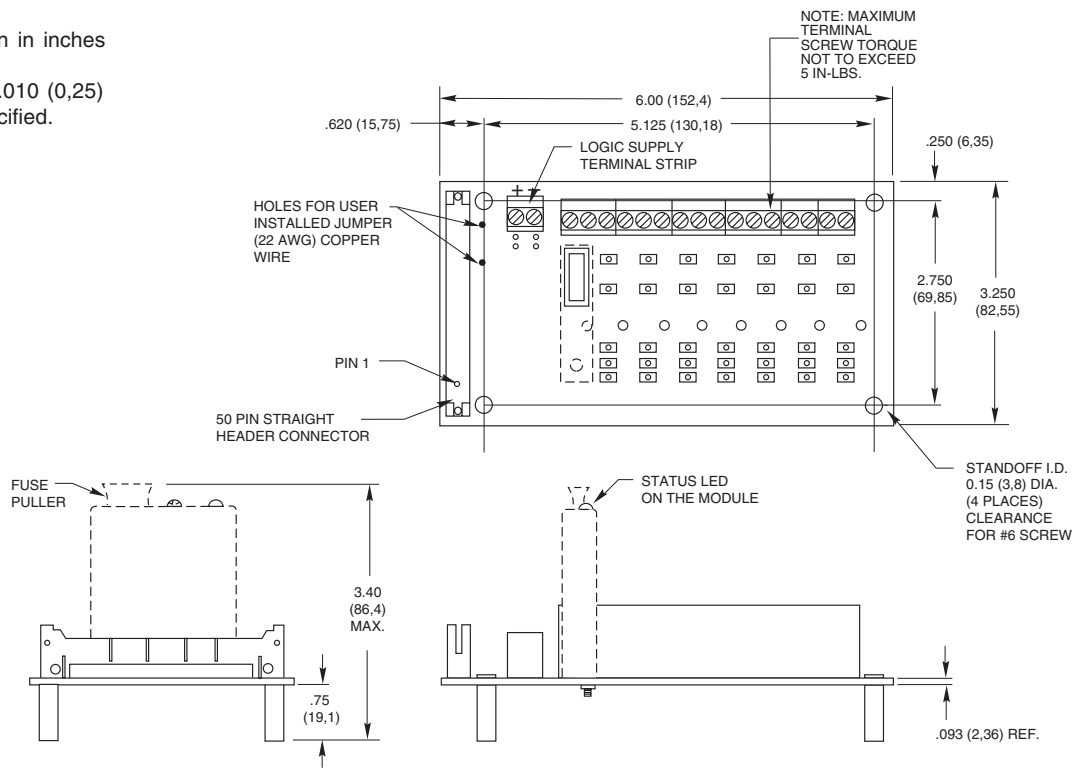
Dimensions are shown in inches (and millimeters). All tolerances are ± 0.010 (0,25) unless otherwise specified.



8 CHANNEL RACK: G5

Part No. 70GRCK8

Dimensions are shown in inches (and millimeters). All tolerances are ± 0.010 (0,25) unless otherwise specified.



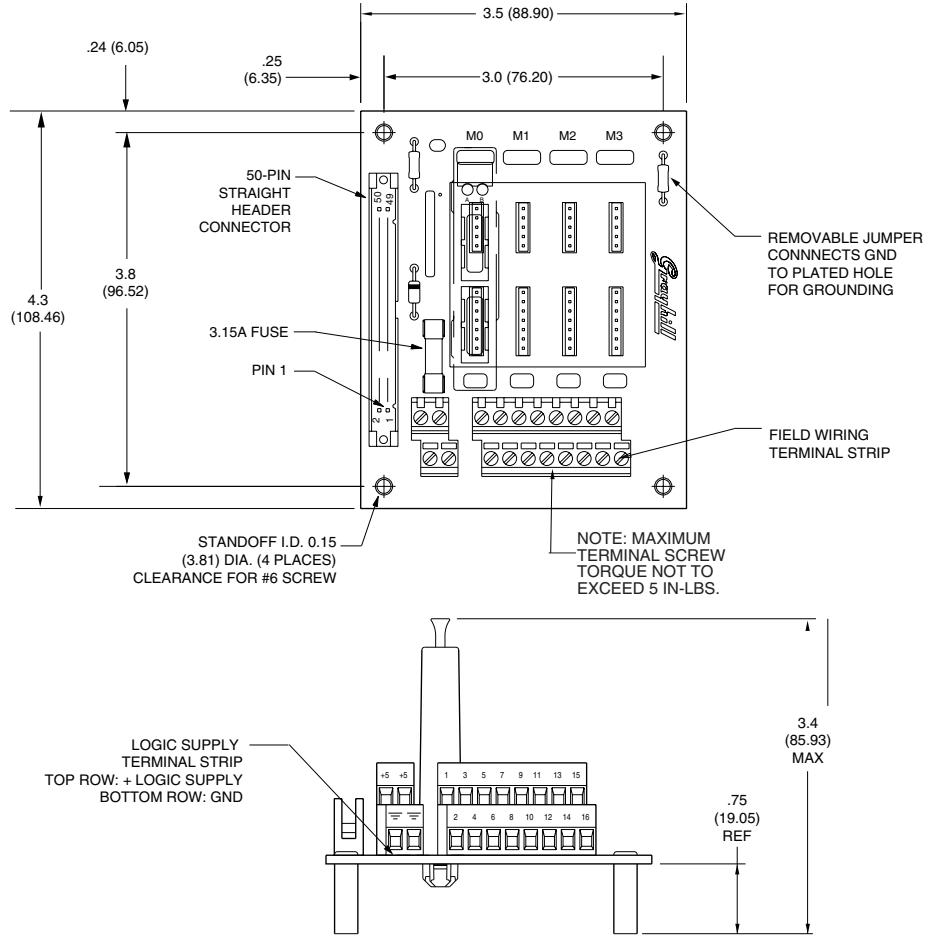
System 50



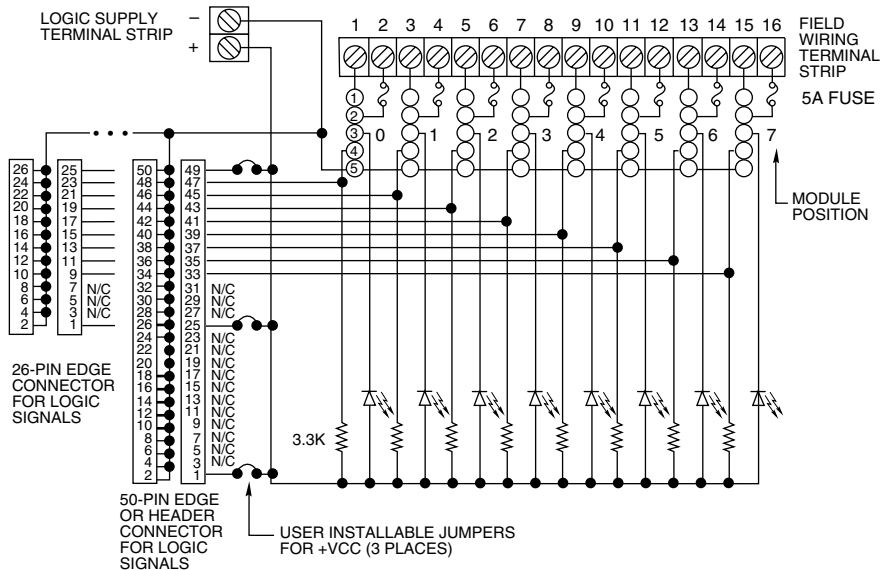
8 CHANNEL RACK: OpenLine® System 50

Part No. 70LRCK8

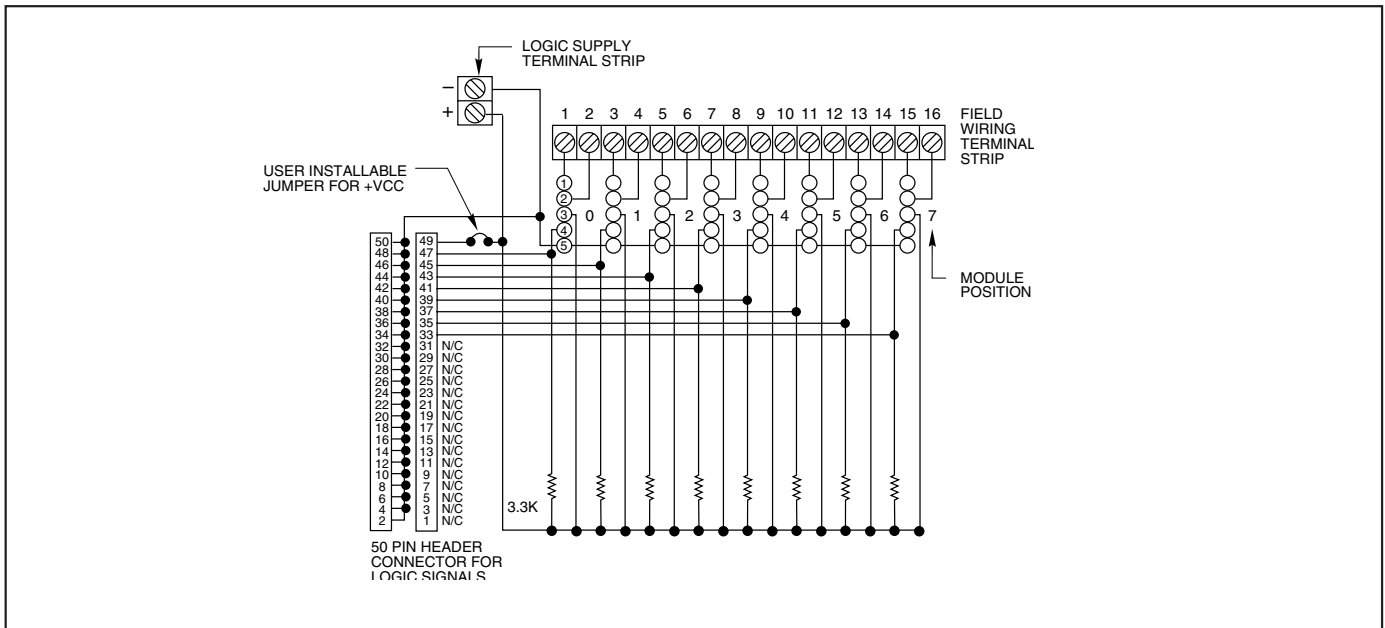
Dimensions are shown in inches (and millimeters).
All tolerances are ± 0.010 (0,25) unless otherwise specified.



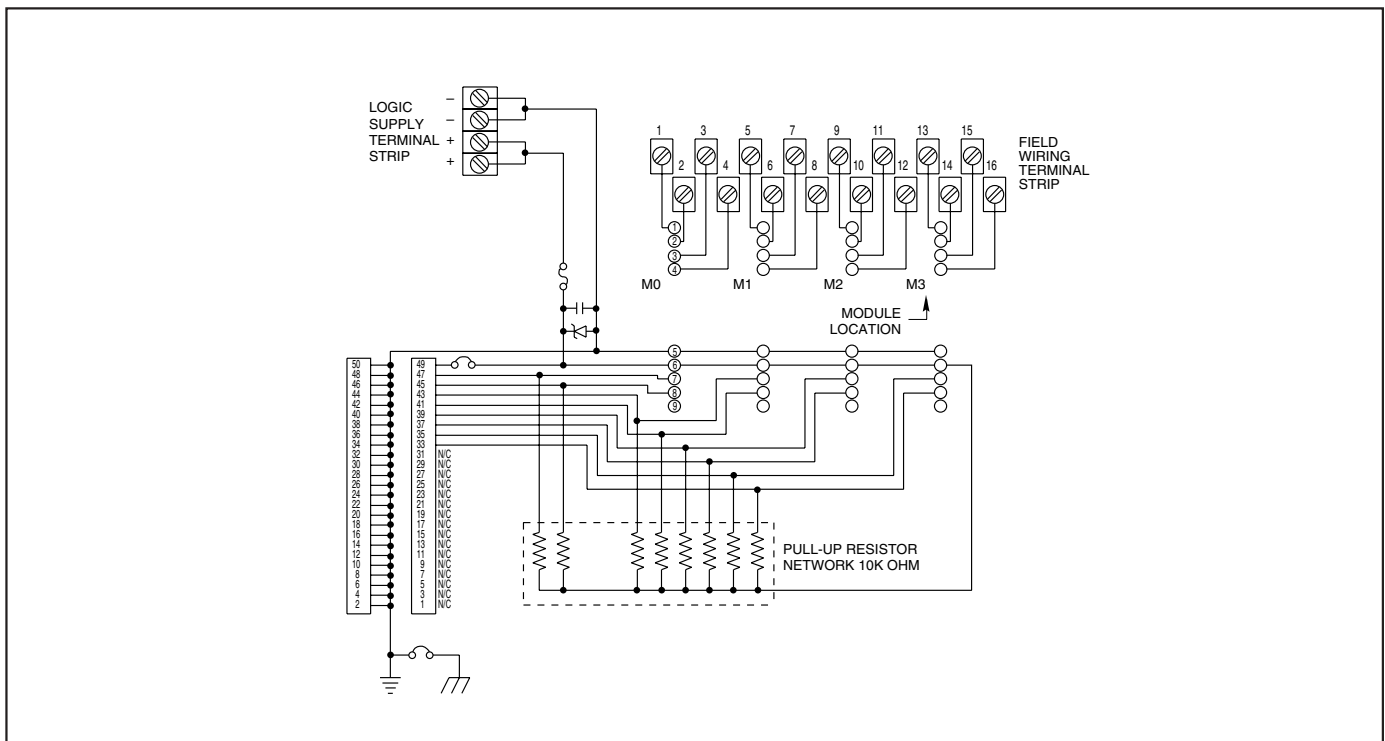
SCHEMATIC: Part Nos. 70RCK8, 70MRCK8



SCHEMATIC: Part No. 70GRCK8



SCHEMATIC: Part No. 70LRCK8



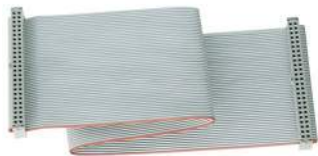
ORDERING INFORMATION (modules ordered separately)

Part Number	I/O	Description	UL	CSA	Style
70RCK8	8	Card edge	X	X	Standard
70RCK8-HL	8	50-pin header with ejector levers	X	X	Standard
70MRCK8-EC	8	Card edge	X	X	Mini
70MRCK8-HL	8	50-pin header with ejector levers	X	X	Mini
70GRCK8-HL	8	50-pin header with ejector levers	X	X	G5
70LRCK8-HL	8	50-pin header with ejector levers	Pend	Pend	OpenLine®
70LRCK8-DIN	8	50-pin header with DIN rail mount	Pend	Pend	OpenLine®

Available from your local Grayhill Distributor. For prices and discounts, contact a local Sales Office, an authorized local Distributor or Grayhill.

ACCESSORIES

CABLE ASSEMBLIES



Several standard cable assemblies to connect controllers to our I/O module mounting racks may be ordered. The 72-CHH cable has a 50-pin header connector on each end to mate with those on mounting racks. The 72-CHE cable has a 50-pin header connector on one end and a 50-pin edge card connector on the other.

ORDERING INFORMATION

Part Number	Description
Cable Assemblies	
72-CHH-1	Ribbon cable assembly, header to header, 1 foot long
72-CHH-2	Ribbon cable assembly, header to header, 2 feet long
72-CHH-4	Ribbon cable assembly, header to header, 4 feet long
72-CHH-6	Ribbon cable assembly, header to header, 6 feet long
72-CHE-2	Ribbon cable assembly, header to edge card, 2 feet long
72-CHE-4	Ribbon cable assembly, header to edge card, 4 feet long
72-CHE-6	Ribbon cable assembly, header to edge card, 6 feet long

I/O Modules, Module Racks, and Accessories are available through Authorized Grayhill Industrial Distributors. For prices and discounts, contact your local sales office, an authorized Industrial Distributor, or Grayhill.