

Flat suction pad (round)

SUF 15 SI-CO-55 M5-AG

Part no...:10.01.01.14173

<https://www.schmalz.com/10.01.01.14173>

Home > Vacuum Technology for Automation > Vacuum Components > Vacuum Suction Cups > Suction Cups for the Electronics Industry > Flat Suction Cups SUF > SUF 15 SI-CO-55 M5-AG

Flat suction cup (round) for process safe handling of smooth or slightly rough surfaces



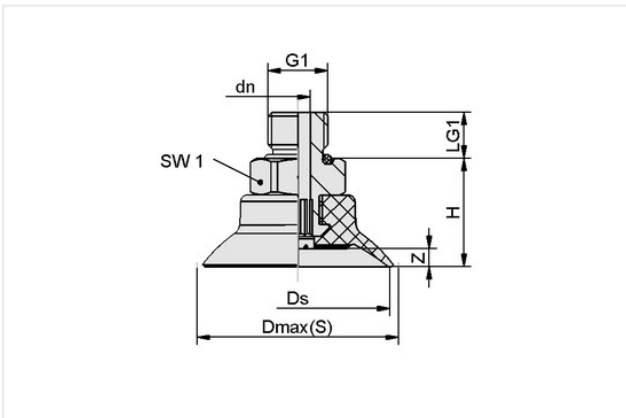
Size: 15

Suction cup material: Silicone SI-conductive

Material hardness [Shore A]: 55 Shore A

Vacuum connection: M5-M

Design Data



| Attribute | Value |
|------------|----------|
| Dmax(S) | 16.80 mm |
| Ds | 15 mm |
| dn | 1.80 mm |
| G1 | M5-M |
| H | 13.90 mm |
| LG1 | 4.70 mm |
| SW1 | 8 mm |
| Z (Stroke) | 1.50 mm |

Technical Data

| Attribute | Value |
|-----------------------------|------------------------|
| Suction force (-600mbar) | 9 N |
| Pull-off force | 9 N |
| Volume | 0.22 cm ³ |
| Curve radius (min) (convex) | 20 mm |
| Hose diameter (empf.) d | 4 mm |
| Size | 15 |
| Suction cup material | Silicone SI-conductive |
| Material hardness [Shore A] | 55 Shore A |

Contact Schmalz

Schmalz Inc. | 5850 Oak Forest Drive, Raleigh, NC 27616, United States | +1 (919) 713-0880 | schmalz.us@schmalz.com

Flat suction pad (round)

SUF 15 SI-CO-55 M5-AG

Part no...:10.01.01.14173

<https://www.schmalz.com/10.01.01.14173>

| | |
|-----------------|--------|
| Weight | 1.90 g |
| Product family | SUF |
| Number of folds | 0 |

Note: Suction force: The specified suction forces are theoretical values at a vacuum of -0.6 bar and with a dry, smooth and flat workpiece surface - they do not include a safety factor
Hose diameter: The recommended hose diameter refers to a hose length of approx. 2 m

Spare parts



SC 030 M5-AG

Part no...:10.01.06.02802

Connection geometry: 030

Connection: M5-M

Length L1: 15.5 mm

Fitting length: 5 mm

Nominal diameter dn: 1.8 mm



SUF 15 SI-CO-55 SC030

Part no...:10.01.01.14033

Size: 15

Material hardness [Shore A]: 55 Shore A