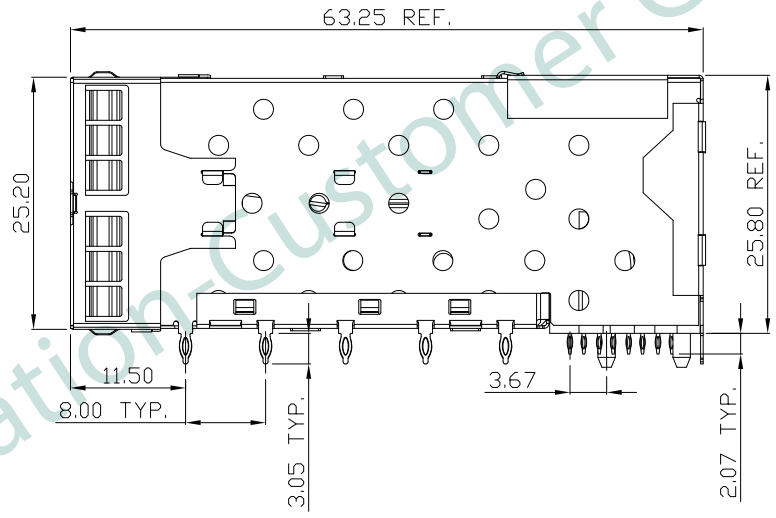
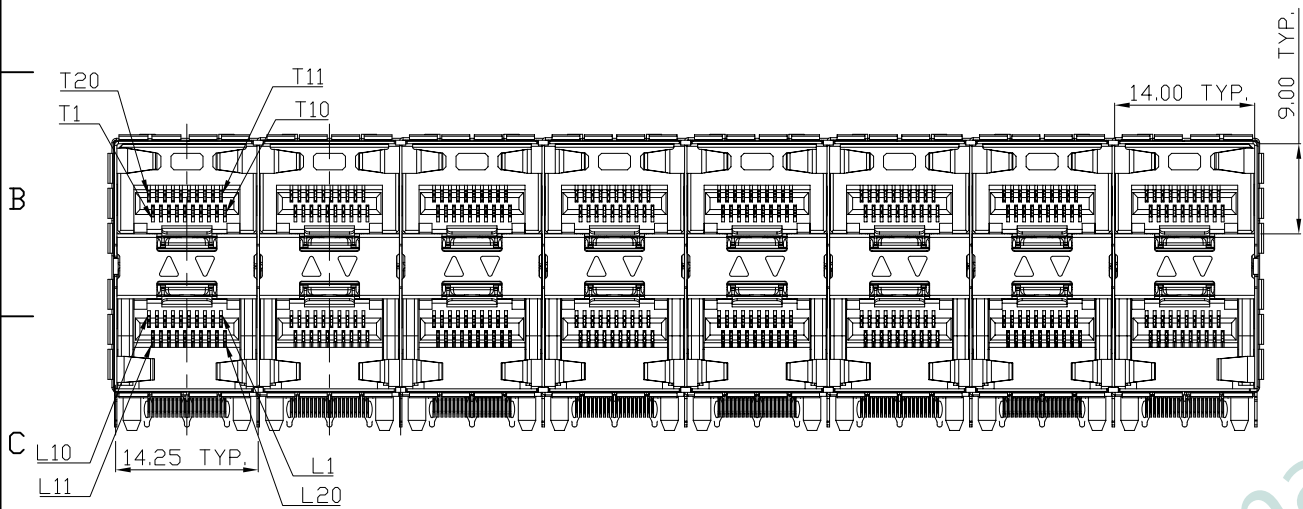
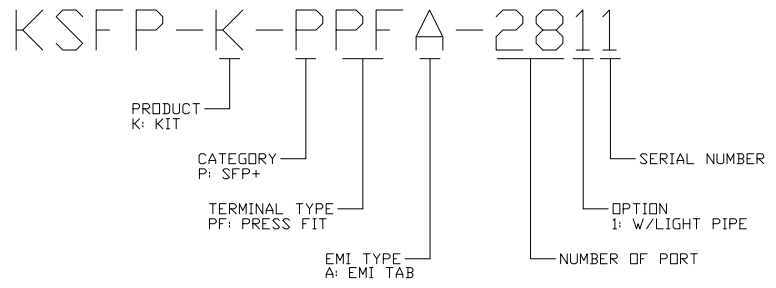


ROHS Compliant

REV.	DATE	DESCRIPTION
01	Jul. 05, '18	1st RELEASE



- NOTES:
- MATERIAL:
 - CAGE: T=0.25mm COPPER ALLOY
 - CONNECTOR HOUSING: GLASS FILLED THERMOPLASTIC, UL94V-0, COLOR-BLACK
 - TERMINALS: PHOSPHOR BRONZE
 - LIGHT PIPE: POLYCARBONATE, COLOR-CLEAR
 - LIGHT PIPE HOUSING: GLASS FILLED THERMOPLASTIC, UL94V-0, COLOR-BLACK
 - FINISH:
 - TERMINALS CONTACT AREA: 30u" GOLD PLATING
 - SOLDER TERMINAL AREA: TIN PLATING
 - UNSPECIFIED TOLERANCE: .XXX ±0.15
.XX ±0.25



PART NO		KSFP-K-PPFA-2811		
TITLE	SFP+ 2X8 CAGE + CONNECTOR, EMI TAB, W/LIGHT PIPE, PRESS FIT TYPE			
REV : 01				
UNIT	DRAWN	CHKD	DATE	SHEET
mm[inch]	CINDY	VINCENT	Jul. 05, '18	1 of 4

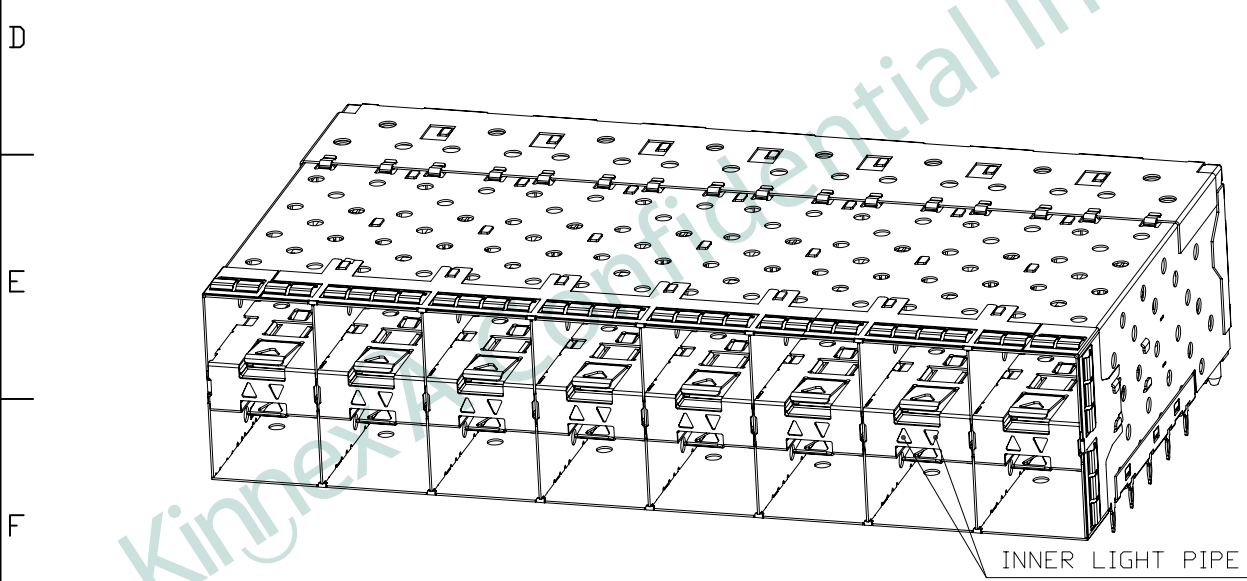
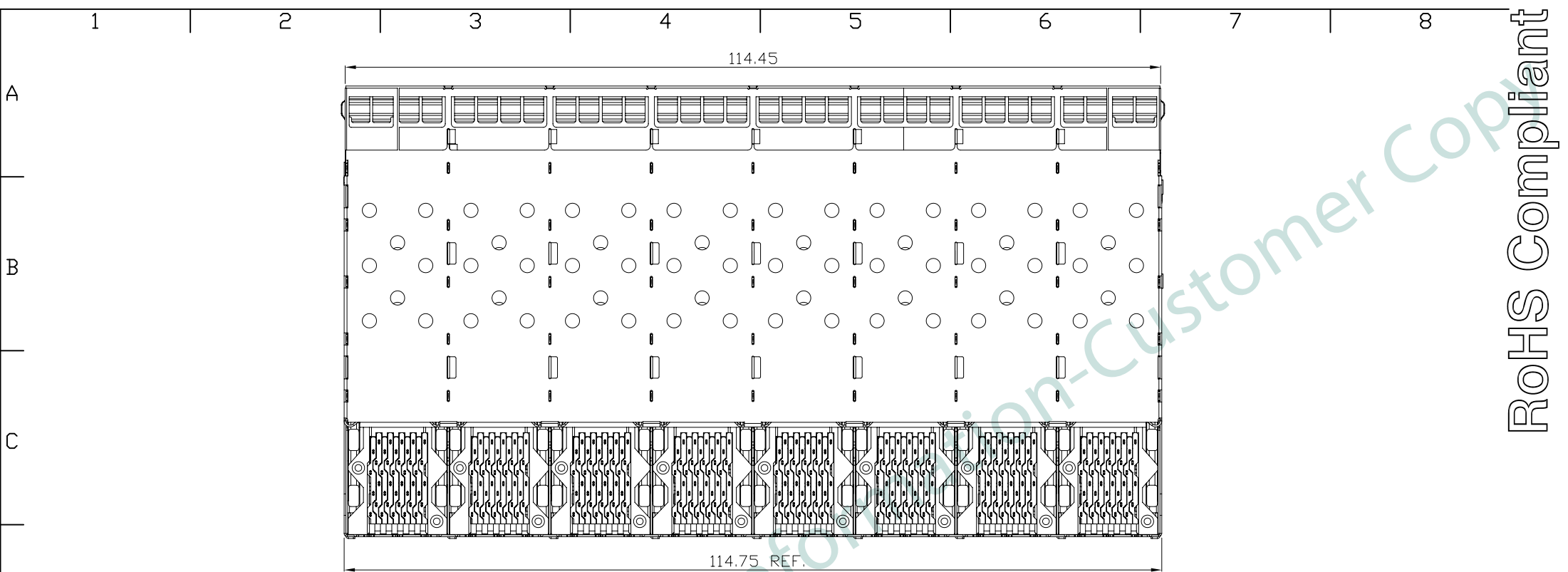
DWG NO KSFP-K-PPFA-2811

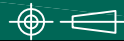
KinnexA, INC. 8F, No. 172, CHENG TEH ROAD SEC. 4, TAIPEI 11167, TAIWAN



PRELIMINARY RELEASE SUBJECT TO CHANGE

※ THIS DRAWING IS A CONTROLLED DOCUMENT ※



 PART NO		KSFP-K-PPFA-2811		
TITLE		SFP+ 2X8 CAGE + CONNECTOR, EMI TAB, W/LIGHT PIPE, PRESS FIT TYPE		
REV : 01				
UNIT	DRAWN	CHKD	DATE	SHEET
mm[inch]	CINDY	VINCENT	Jul. 05, '18	2 of 4

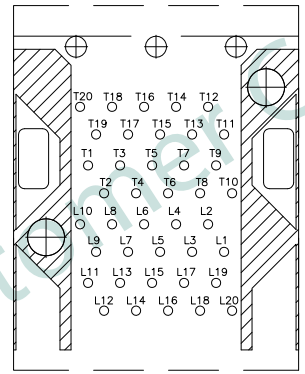
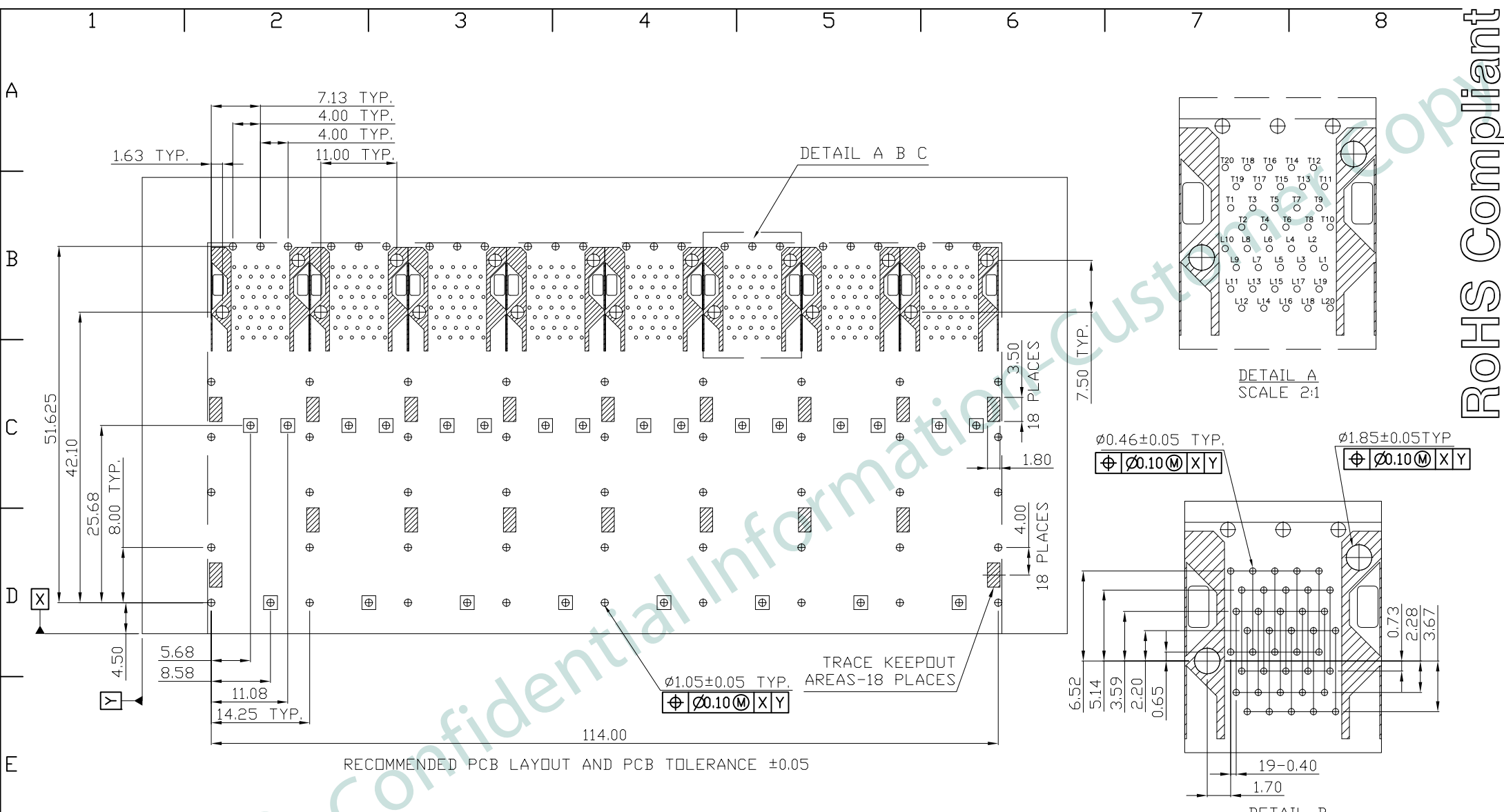
DWG NO KSFP-K-PPFA-2811

KinnexA, INC. 8F, No. 172, CHENG TEH ROAD SEC. 4, TAIPEI 11167, TAIWAN

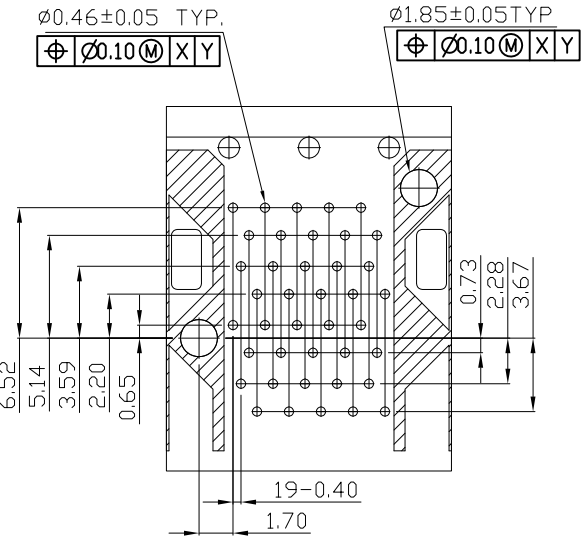
Connected by 

PRELIMINARY RELEASE SUBJECT TO CHANGE

※ THIS DRAWING IS A CONTROLLED DOCUMENT ※



DETAIL A
SCALE 2:1

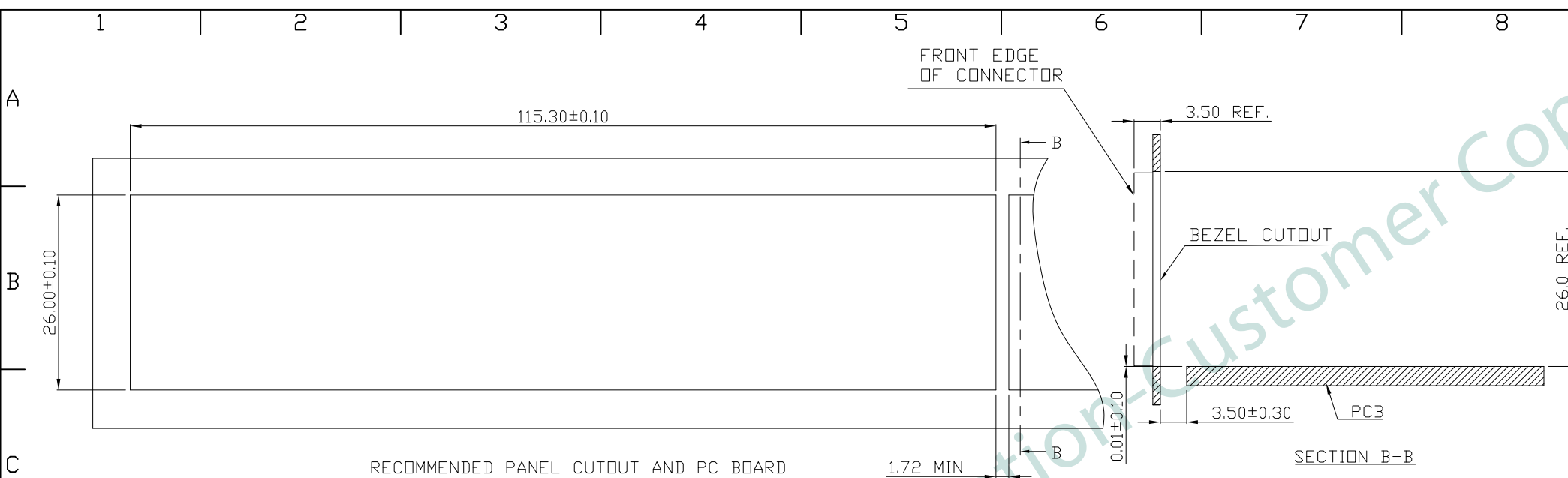


DETAIL B
SCALE 2:1

RECOMMENDED PCB LAYOUT AND PCB TOLERANCE ±0.05

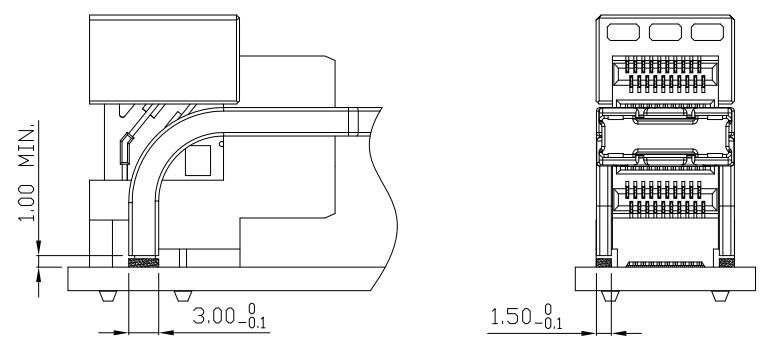
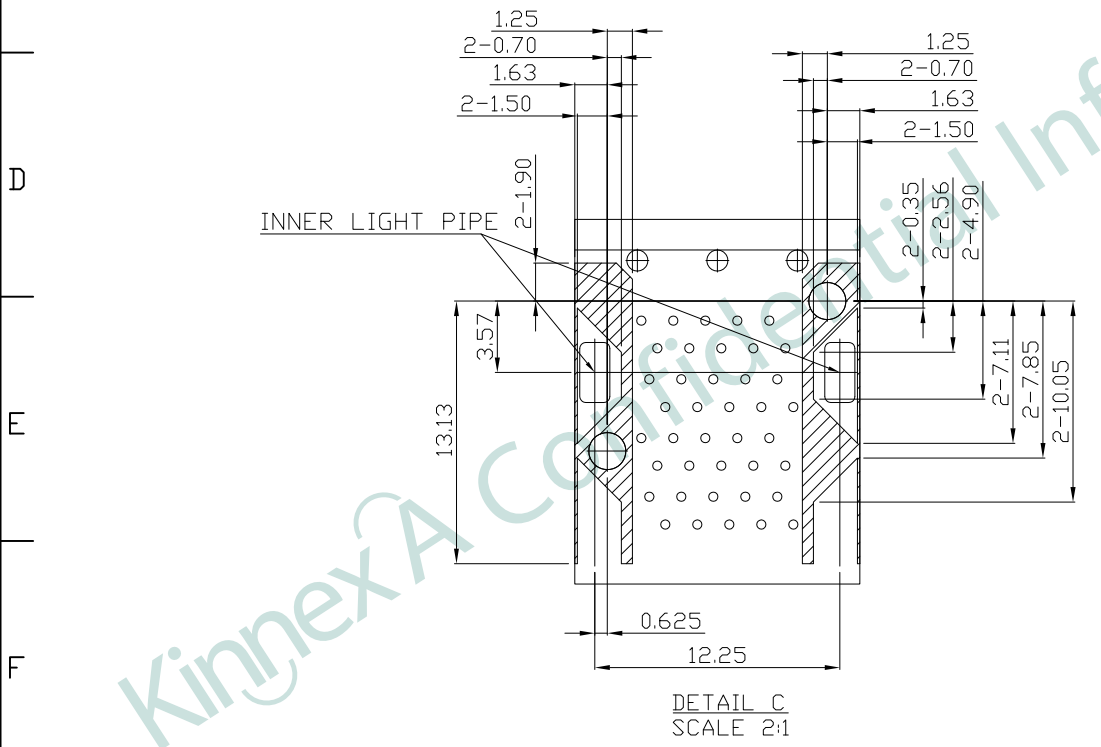
NOTE:
RECOMMENDED PCB T=2.36mm (MINIMUM PCB T=1.57mm)

PART NO KSFP-K-PPFA-2811				
TITLE	SFP+ 2X8 CAGE + CONNECTOR, EMI TAB, W/LIGHT PIPE, PRESS FIT TYPE			
REV : 01				
UNIT	DRAWN	CHKD	DATE	SHEET
mm[inch]	CINDY	VINCENT	Jul. 05, '18	3 of 4




RECOMMENDED PANEL CUTOUT AND PC BOARD
 PANEL POSITION AND T=0.8~2.6mm

BEZEL OPENING ABOVE
 TOP OF PC BOARD



LED CLEARANCE REQUIREMENTS

 PART NO KSFP-K-PPFA-2811				
TITLE	SFP+ 2X8 CAGE + CONNECTOR, EMI TAB, W/LIGHT PIPE, PRESS FIT TYPE			
REV : 01				
UNIT	DRAWN	CHKD	DATE	SHEET
mm[inch]	CINDY	VINCENT	Jul. 05, '18	4 of 4