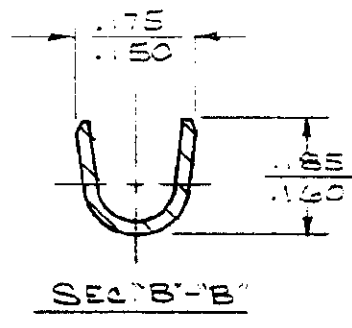
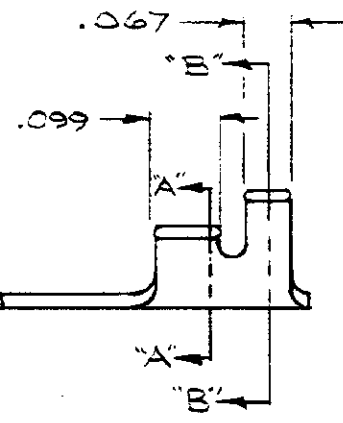
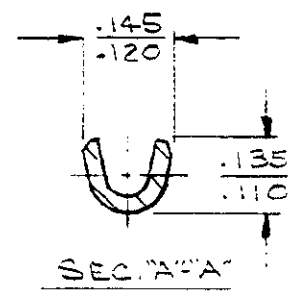
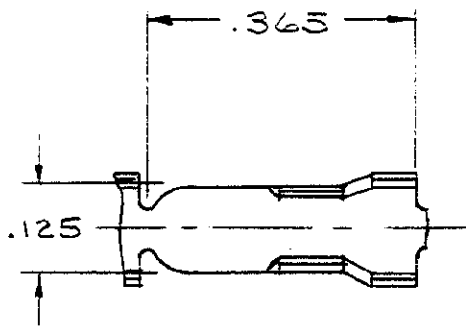


DRAWING MADE IN AMERICAN PROJECTION

NUMBER 60581



CONTINUED STRIP ON REELS

PART NO.
60581-1

DIMENSIONS IN INCHES. DO NOT SCALE PRINT.

©1972 BY AMP INCORPORATED. ALL RIGHTS RESERVED. AMP PRODUCTS COVERED BY PATENTS AND/OR PATENTS PENDING

**CUSTOMER COPY
REFERENCE ONLY**

MATERIAL AND FINISH
.020 STEEL
TIN



AMP INCORPORATED
HARRISBURG, PENNA.

WIRE — RANGE — INSULATION
#20 — #16 | .090 — .130

CLASS —

TYPE —

TOLERANCE EXCEPT AS NOTED
± .015

SCALE
4x1

LOC
AF

NO
A

60581

REV

NAME

WELD TAB

PRINT/DIST 50	LTR	REVISION RECORD	ECN	DR/CHK	DATE
	DR	5-25-72 B. BANKS	DE	E. J. Jombar	10-3-72
	CHK	10-3-72 E. L. GOMBAR	APP	B. OLSSON	10-9-72