

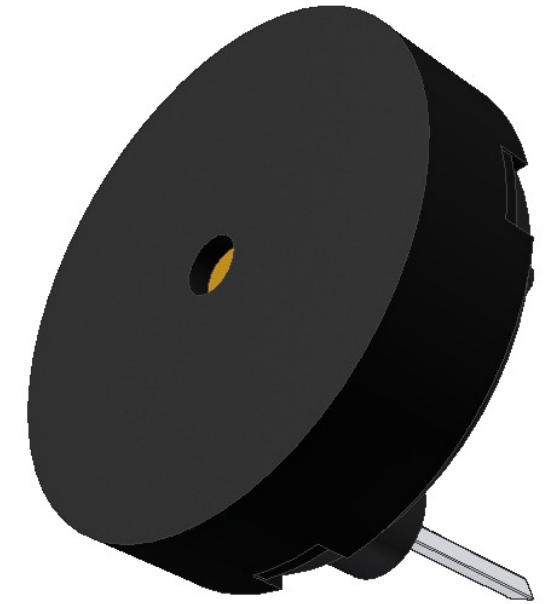
pui
audio™ inc
a projects unlimited company

AT-1740-TT-3-R 17mm Transducer

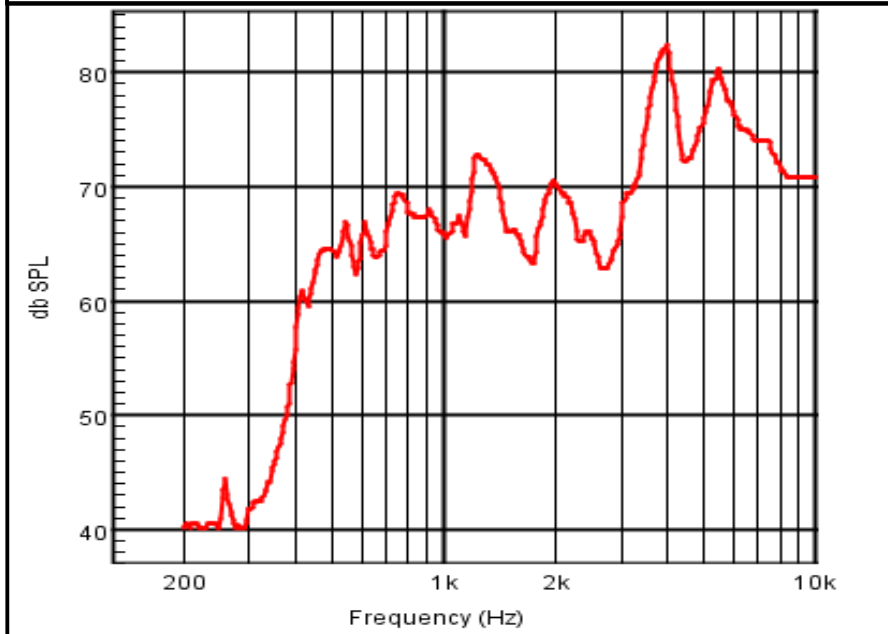
3541 Stop Eight Road • Dayton, Ohio 45414

Product Overview

- 17mm diameter piezoelectric transducer with ultra-low 1 mA current draw
- 78 dBA minimum output (3Vp-p @ 10 cm) and 4 kHz resonant frequency
- MPPO housing for durability
- Designed to be hand-soldered

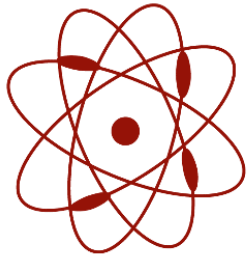


Frequency Response (3 Vp-p @ 0.1 meters)



RoHS Compliant



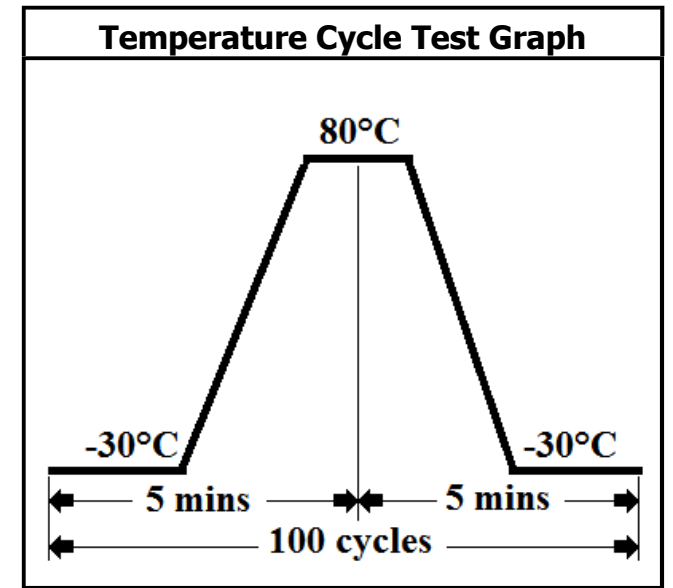
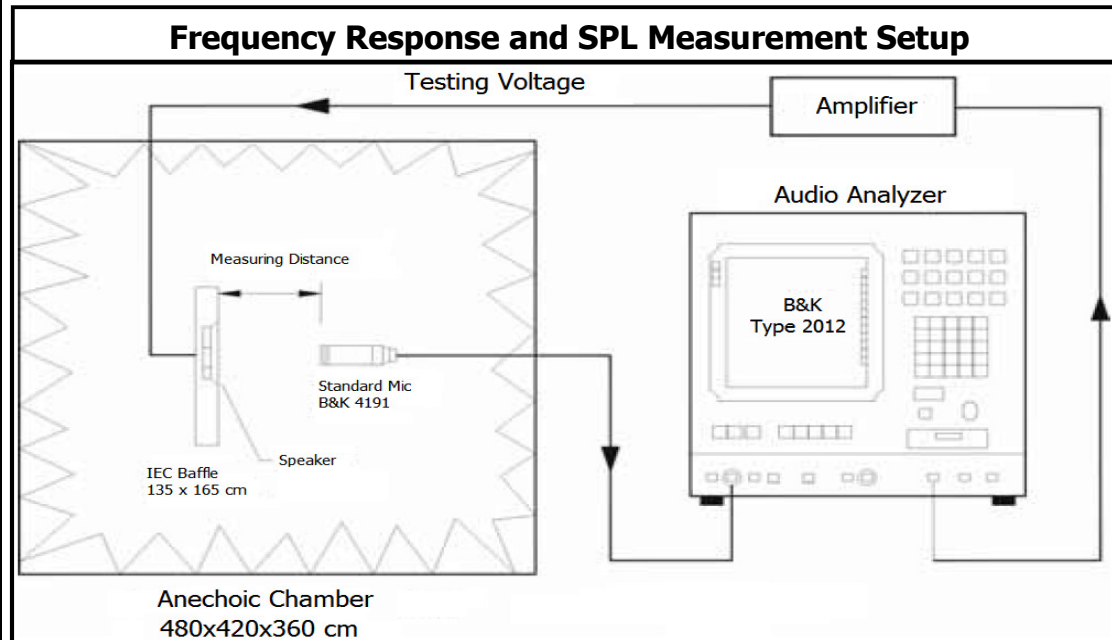


pui
audio™ inc
a projects unlimited company

AT-1740-TT-3-R 17mm Transducer

Mechanical and Environment Testing	
Test Description	Test Condition
High Temperature	80°C ($\pm 2^\circ\text{C}$) with random humidity for 96 hours
Low Temperature	-30°C ($\pm 2^\circ\text{C}$) with random humidity for 96 hours
Humidity	40°C ($\pm 2^\circ\text{C}$) with 90% to 95% relative humidity for 96 hours
Vibration	0.75 mm movement modulated at 10-55 Hz for 2 hours
Drop Test	100 cm free fall onto 40 mm wood board, 3 axis, 2 cycles per axis
Temperature Cycle Test	-30°C to 80°C, 100 cycles

After tests, part shall rest for 2 hours. Parts are then tested for clean, pure tones.



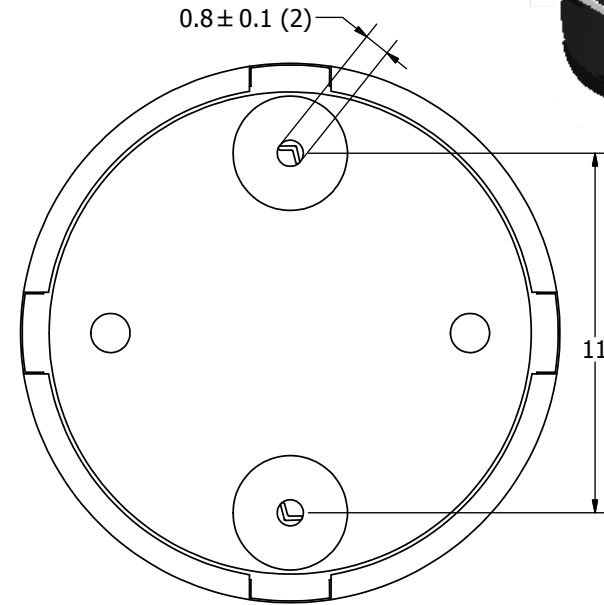
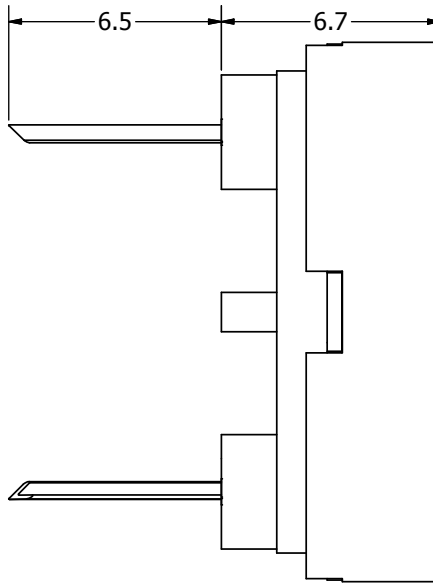
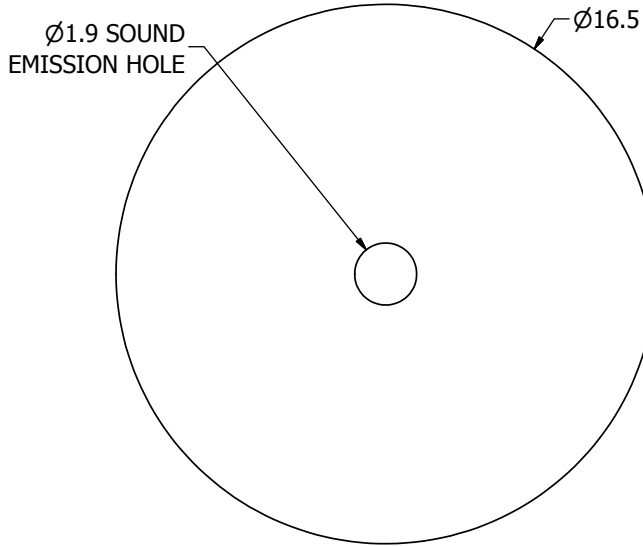
SPECIFICATIONS

PARAMETERS	VALUES	UNITS
RATED VOLTAGE	3	Vp-p
OPERATING VOLTAGE RANGE	1 ~ 30	Vp-p
RATED CURRENT (MAX)	1	mA
CAPACITANCE	10,000 ± 30%	pF
MINIMUM SPL @ 10 CM	78	dBa
RESONANT FREQUENCY	4,000 ± 500	Hz
OPERATING TEMPERATURE	-20 ~ +70	°C
STORAGE TEMPERATURE	-30 ~ +80	°C
HOUSING MATERIAL	MPPO	-
TERMINAL MATERIAL	Sn PLATED PHOSPHER BRONZE	-
WEIGHT	1	grams

THIS DOCUMENT CONTAINS DATA PROPRIETARY TO PROJECTS UNLIMITED, INC. ANY USE OR REPRODUCTION, IN ANY FORM, WITHOUT PRIOR WRITTEN PERMISSION OF PROJECTS UNLIMITED, INC. IS PROHIBITED.
©2003, Projects Unlimited Inc.


REVISION HISTORY

LTR	DESCRIPTION	DATE	APPROVED
-	RELEASED FROM ENGINEERING	1/13/2006	
A	ADDED PIN TOLERANCE	6/21/2007	D.F.
B	REVISED TO INVENTOR 3-D DRAWING TEMPLATE	4/22/2008	B.R.



NOTES:

1. ALL DIMENSIONS ARE IN MILLIMETERS.
2. SPECIFICATIONS SUBJECT TO CHANGE OR WITHDRAWAL WITHOUT NOTICE.
3. THIS PART IS RoHS 2002/95/EC COMPLIANT.

UNLESS OTHERWISE SPECIFIED: DIMENSIONS ARE IN MILLIMETERS, TOLERANCES ARE ± 0.5 AND ANGLES ARE $\pm 3^\circ$.	SIZE	Designed by	Date	Checked by	Date	Approved by	Date	Drawn Date
	A3	J.A.F.	1/13/2006	E.P.	1/13/2006	B.R.	1/13/2006	4/22/2008
AT-1740-TT-3-R.idw		 AT-1740-TT-3-R Transducer (Piezo)				Edition	Sheet	
						-	1 / 1	